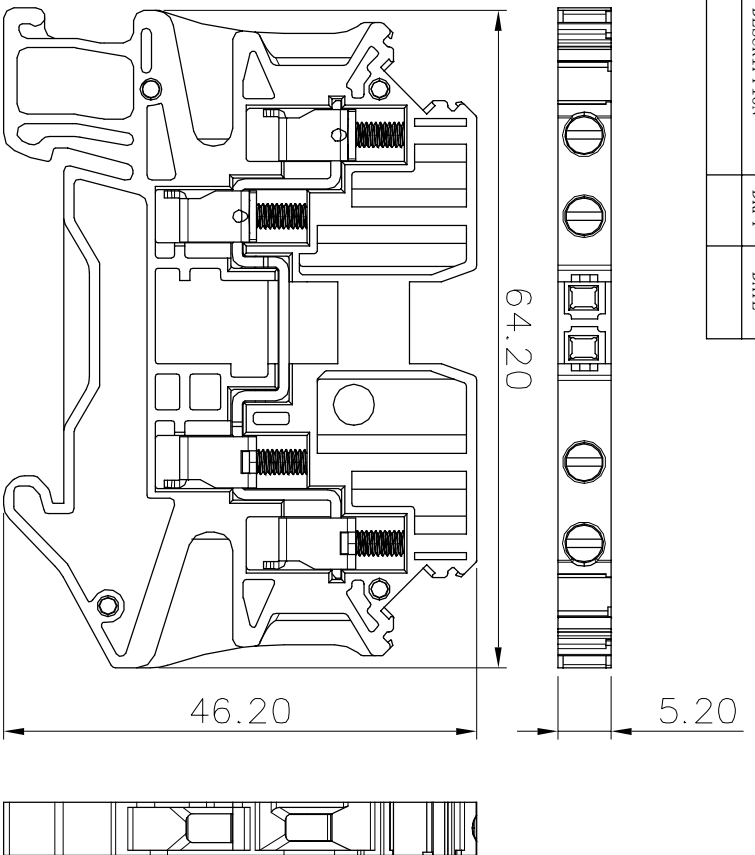


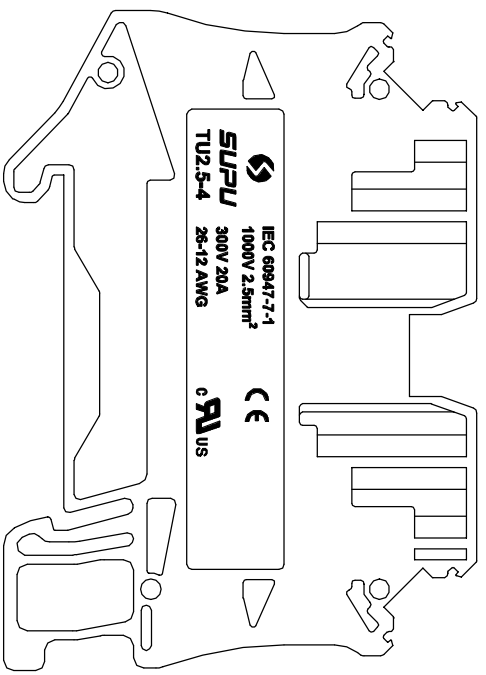
REVISION RECORD			
REV	ECN	DESCRIPTION	DATE

Transmittal, reproduction, dissemination and/or editing of this document as well as utilization of its contents and communication thereof to others without express authorization are prohibited.

未经允许禁止传输、复制、编辑该文档，以及利用其内容进行交流



Connection method:
 1.For solid wire, peeling wire in right length, fix in by rated torque force.
 2.For stranded wire,connect directly after peeling in right length,or furruled on wire and fix in by rated torque force.
 (Attention: torque force should be equable, no explosive power.)



NOTES:

- 1. Conductor cross section : 26~12AWG
- 2. Rated torque : M2.5 , 3.54Lb.in
- 3. Rated Voltage/Current :

Use group	B	C	D
Rated voltage(V)	300	300	600
Rated current(A)	20	20	5

UL/CUL Standard

Wire range(Solid/Stranded)	0.2-2.5mm ²	0.2-4mm ²	0.2-2.5mm ²
Solid	0.2-4mm ²	0.2-2.5mm ²	0.2-2.5mm ²
Stranded	0.2-2.5mm ²	0.2-2.5mm ²	0.2-2.5mm ²
Stranded with ferrules without plastic sleeve	0.2-2.5mm ²	0.2-2.5mm ²	0.2-2.5mm ²
Stranded with ferrules with plastic sleeve	0.2-2.5mm ²	0.2-2.5mm ²	0.2-2.5mm ²

- 2. Rated torque : M2.5 , 0.40N • m
- 3. Rated Voltage/Current :

Surge voltage category	III
Pollution degree	3
Rated surge voltage(KV)	8
Rated voltage(V)	1000
Rated current(A)	24

Material:

Insulator	PA66	UL94 V-0
Cage	Steel	Zn plated
Conductor	Copper alloy	Sn plated
Screw	Steel	Zn plated

General information:

- 1. Dimension shall be interpreted per ASME Y14.5-2009
- 2. Stripping length : 9-11mm
- 3. Operating temperature: -40°C~+105°C
- 4. RoHS Compliance
- 5. Undimensioned Tolerances:

Pitch Range in mm	Nominal Dimension Range in mm	Over	Over	Over	Over	Over	Over
6	6	0	0	0	0	0	0
10	10	0	0	0	0	0	0
24	24	±0.15	±0.20	±0.30	±0.30	±0.50	±0.70
30	30	±0.30	±0.30	±0.50	±0.70	±1.00	±1.30
60	60	±0.50	±0.50	±0.70	±1.00	±1.30	±2.00
100	100	±0.70	±0.70	±1.00	±1.30	±2.00	±3.00
150	150	±1.00	±1.00	±1.30	±2.00	±3.00	±5.00
150	150	±1.30	±1.30	±2.00	±3.00	±5.00	±8.00

HOW TO ORDER:

TU2.5-4-XX
 Series No.
 Color:
 GY: Grey
 OG: Orange
 BU: Blue

订货号 Order No.	项目 Item	日期 Date	名称 Name	图号 Drawing No.	材料 Material	物料号 Item No.	公差 Tolerance	表面 Surface
TU2.5-4-XX	签字 Signature	11/19/20"	TU系列2.5mm ² 铁螺钉二进二出线端子	PRL...	Notes	第1页/共1页 1 of 1	未注公差	VDI21
	设计 Design	11/19/20"					版本号 Revision Number	重量 Weight
	审核 Check	11/19/20"					比例 Scale	1:1
	工艺 Process	-						
	标准化 Unity	-						
	批准 Approve	LWL	11/19/20"					

NINGBO SUPU ELECTRONICS CO.,LTD.