

REVISION RECORD				
REV	ECN	DESCRIPTION	DRFT	DATE

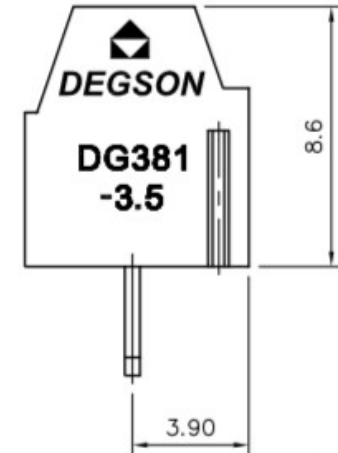
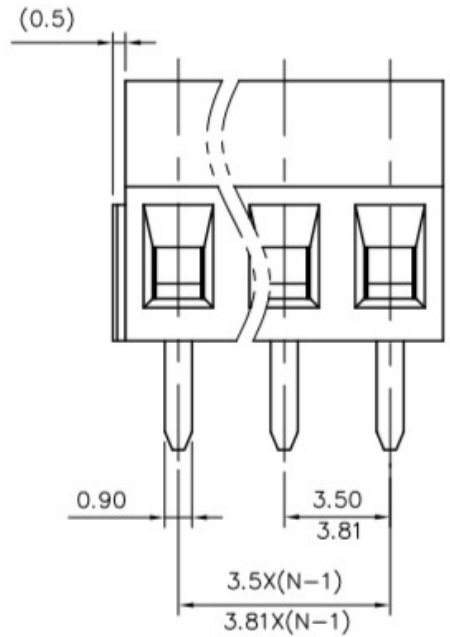
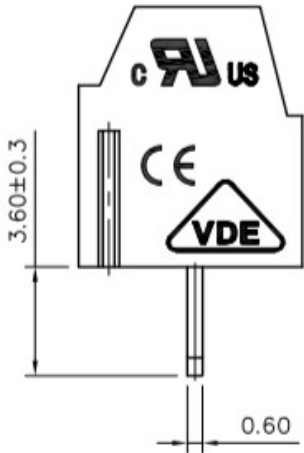
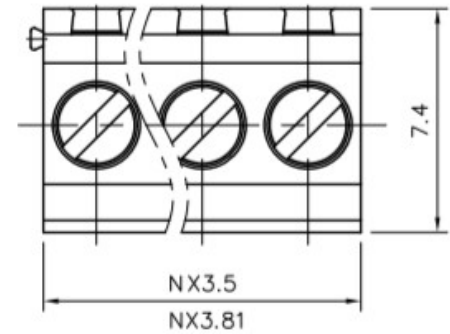
NOTES1:
 UL Standard
 1. Rated voltage/current : 150V / 10A
 2. Torque Value : M2 , 1.77Lb.in
 3. Wire Range : 26~16AWG

IEC Standard
 1. Rated voltage/current : 130V / 10A
 2. Torque Value : M2 , 0.2N.m
 3. Wire Range : 0.5~1.0mm²

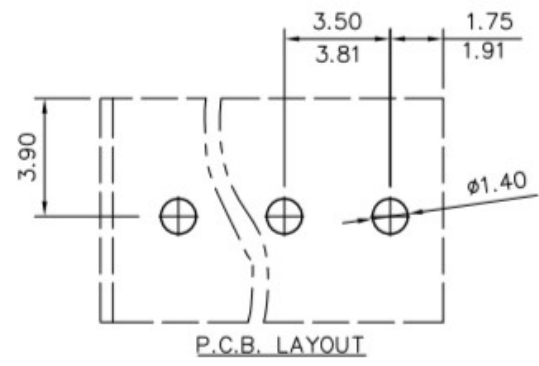
NOTES2:
 1. Dimension shall be interpreted per ASME Y14.5-2009
 2. Pitch : 3.5/3.81mm, Poles : N=02~24P
 3. Stripping length : 4~5mm
 4. Withstanding voltage : AC1250V/1Min
 5. Operating temperature: -40°C~+105°C
 6. Undimensioned tolerances:

Pitch range in mm		Nominal dimension range in mm						-	∅
TO	Over	Over	Over	Over	Over	Over	0.1/10		
6	10	10	24	30	60	100	150	<	
±0.15	±0.20	±0.30	±0.30	±0.50	±0.70	±1.00	±1.30	±2'	

7. RoHS Compliance



DG381 - 3.5/3.81 - XXP - 1Y - 00A (H)
 (Series No.) (Pitch) (Poles) (Single Pitch) (Color): 1.(Grey)
 2.(Blue)
 3.(Black)
 4.(Green)
 5.(Orange)
 6.(Red)
 7.(Transparent)
 8.(Yellow)
 9.(White)



DETACHED LISTS	PART NO.:	NINGBO DEGSON ELECTRICAL CO., LTD			
	APPD:	NAME: DG381-3.5/3.81-XXP-1Y-00A(H)			
	CHKD:	TITLE: CUSTOMER DRAWING		REV	DO
	DRFT:	DRAWING NO.:		SHEET	1/1
	THIRD ANGLE PROJECTION		MM (INCH)	DO NOT SCALE DRAWING	SCALE