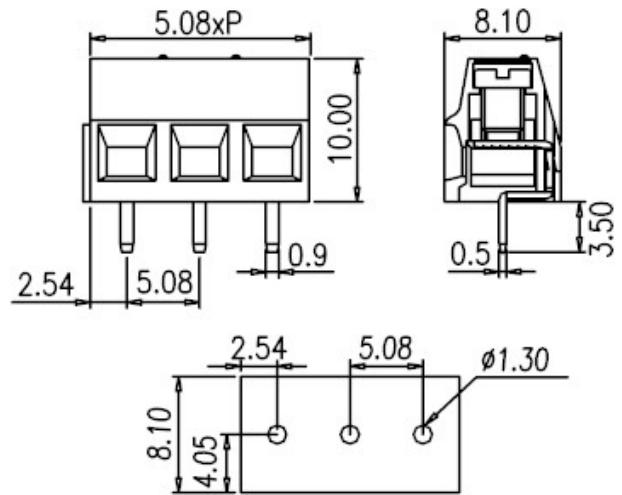
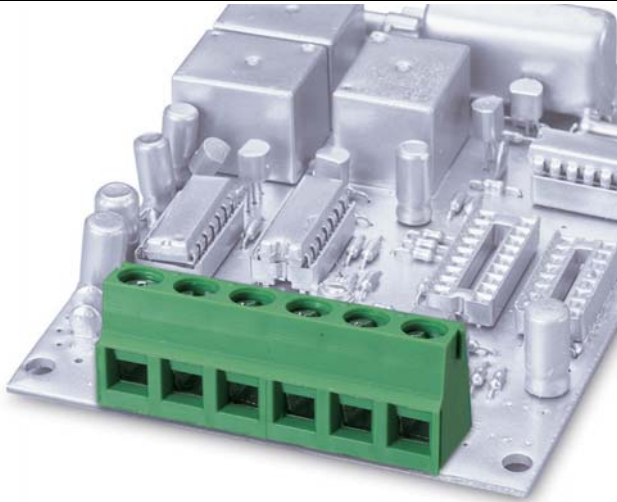





European P.C.B. type terminal blocks / EK series



**ELK508V-..P**



**Pitch: 5.08mm**

Approval	  	
Technical Data	UL	IEC
Rated voltage	300V	250V
Rated current	13.5A	14A
Wire range		1.5mm <sup>2</sup>
Solid wire (AWG)	30~14	
Stranded wire (AWG/mm <sup>2</sup> )	30~14	
Rated surge voltage (UL/IEC/Max.)	1.6 / 2 / 3 KV	
Torque (Lb-in)	5	
Screw	M2.5	
Wire strip length	6~7mm	
Pole	Cat. No.	
02	ELK508V-02P	
:	:	
:	:	
17	ELK508V-17P	

**TEL:** +886-2-2908-0614

**FAX:** +886-2-2908-8549

**E-mail:** [infor@dinkle.com.tw](mailto:infor@dinkle.com.tw)