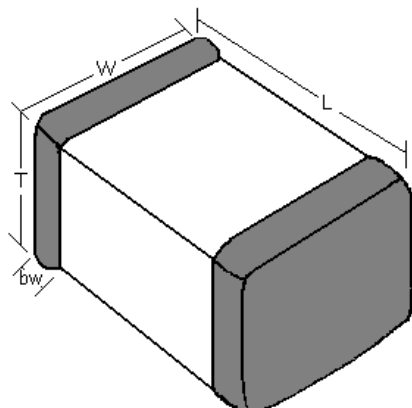


Capacitor Specifications

Capax Technologies P/N: 0805X226K100SNT

Mechanical Dimensions



Length (L): .085" ± .005"

Width (W): .055" ± .005"

Thickness (T): .005" ± 0.005"

Bandwidth (bw): .015" ± .005"

Performance Specifications:

Insulation Resistance >10,000 M ohms

Capacitance 22 uF ±10%

Voltage Rating 10VDC

Dielectric Strength 2.5 X rated voltage

Temperature Characteristics X7R

ORDERING INFORMATION

Case Size	Dielectric	Capacitance	Tolerance	Voltage	Termination	Packaging	Hi-Reli Testing
0805	X	226	K	100	SN	T	
Mechanical Dimensions Shown Above	X = X7R	First 2 digits are Significant; Third digit indicates # of Zeros. Use "R" for decimal point Examples: 226=22uF	K ±10% M ±20%	First 2 digits are Significant; Third digit indicates number of Zeros Examples: 100=10VDC	S Solder Over Nickel Plated SN Tin over Nickel Plated (RoHS Compliant) G Gold over Nickel Plated (RoHS Compliant)	T Tape and Reel W Waffle Pack	<i>(Optional)</i> A = Group A B = Group B C = Group C Tested and Screened