

Data sheet

Commercial Art.No.: 96.051.6053.1

Device connector RST20i5S B1 M00 SW

RST20i5 device connector M20, 5 pole, female, screw connection, modular, application 250/400V with PE, 20A, coding color black, color of housing black



| | |
|--------------------|---------------|
| Commercial Art.No. | 96.051.6053.1 |
| EAN | 4015573862012 |
| Order Unit | 1 |

Certificates / Approvals



Technical data

General

| | |
|--|----------------------------------|
| Rated current | 20 A |
| Rated voltage | 250 V / 400 V |
| Pollution degree | 3 |
| Rated impulse voltage | 4 kV |
| Lockable | self-locking (unlocking by tool) |
| Color of coding/ contact carrier | black |
| Marking of poles | 1, 2, 3, N, PE |
| Color of separate adapter (if present) | black |

Connection Data

| | |
|---|----------------------|
| Connection cross section solid mm ² max. | 4 mm ² |
| Connection cross section solid mm ² min. | 0.75 mm ² |
| Connection cross section solid AWG min. | 18 AWG |
| Connection cross section solid AWG max. | 14 AWG |
| Connection cross section fine stranded mm ² max. | 4 mm ² |
| Connection cross section fine stranded mm ² min. | 0.75 mm ² |
| Terminations per pole | 1 |
| Wire strip length | 8 mm |
| Connection cross section stranded AWG min. | 18 AWG |
| Connection cross section stranded AWG max. | 14 AWG |

Model

| | |
|--------------------------|------------------|
| Model | female |
| Connection type | screw connection |
| Connecting thread metric | M20 |

| | |
|---|-----------------------|
| Angle of plug | straight |
| Degree of protection (IP) | IP66/68 (3m;2h) /IP69 |
| Thickness of housings (electrical device) 2 | 0.5 mm |
| Thickness of housings (electrical device) | 8 mm |

Material

| | |
|--|---------------|
| Housing material | Polyamide |
| halogen free | yes |
| Contact material | CuZn |
| Fire load | 0.21 kWh |
| Insulation components continuous temperature | 100 °C |
| Surface finish | Silver-plated |

Dimensions

| | |
|--------|---------|
| Length | 68.2 mm |
| Width | 34.6 mm |
| Height | 34.6 mm |

Classification

| | |
|------------|----------|
| ECLASS 11 | |
| ECLASS 8.1 | 27440602 |
| ETIM 7.0 | EC002566 |
| ETIM 6.0 | EC002566 |
| ETIM 5.0 | EC002566 |
| ETIM 4.0 | EC002566 |

Note

| | |
|------|---|
| Note | RST® terminals with screw clamping allow the connection of conductors without special preparation (without ferrules) according to EN 60999-1.; Positioning realised with flattened thread |
|------|---|

Product compliance

| | |
|------------------------------|--------------------|
| ROHS conformity status | Compliant/Exempted |
| ROHS exceptions | III-6(c) |
| REACH-SVHC conformity status | Duty-To-Declare |
| REACH-SVHC substances | Lead |
| REACH-SVHC CAS numbers | 7439-92-1 |

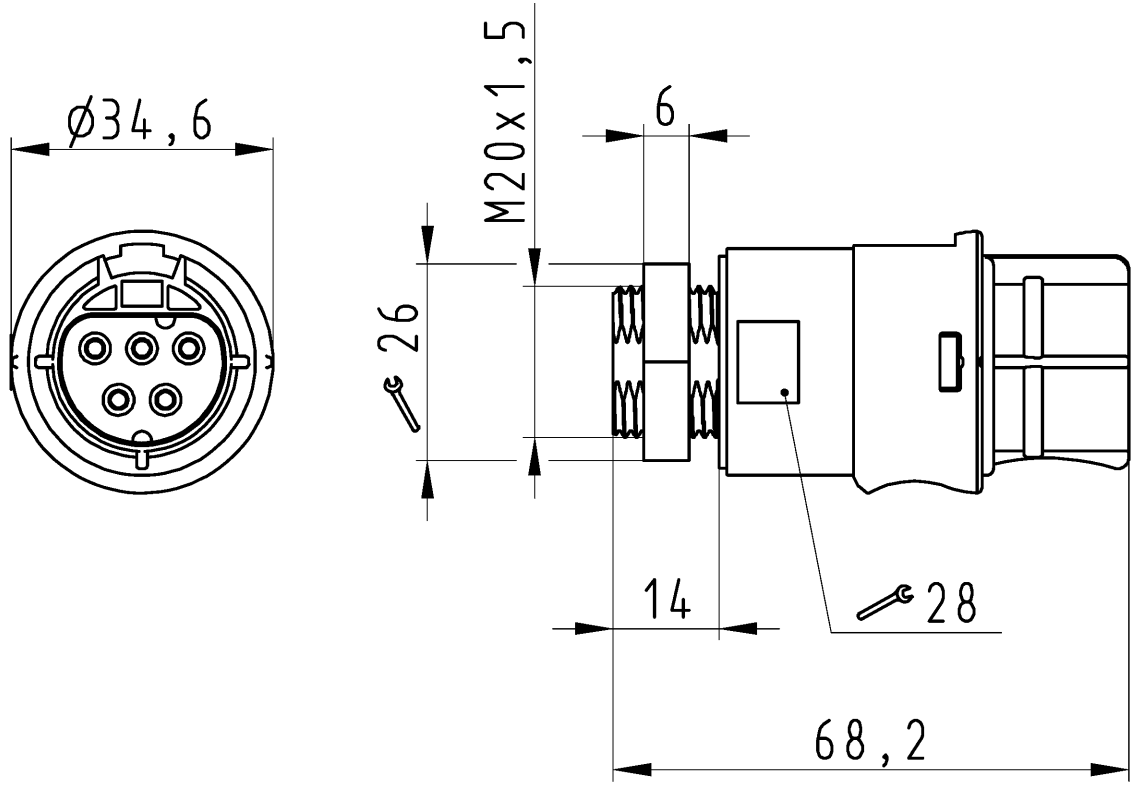
Accessories

| Commercial Art.No.: | Article-type description: | Description: |
|---------------------|-------------------------------|--|
| 99.530.0000.7 | Cover for female connector SW | RST20i5/4 cover piece, for covering unused female connectors, with fastening belt, color black |
| Z5.565.9853.1 | Cover for female connector SW | RST20i5/4 cover piece, for covering unused female connectors, color black |
| 05.564.8653.1 | Opener RST20i3/i5 SCHWARZ | Manual disconnect for later installation of RST connectors, color black |

Fits with

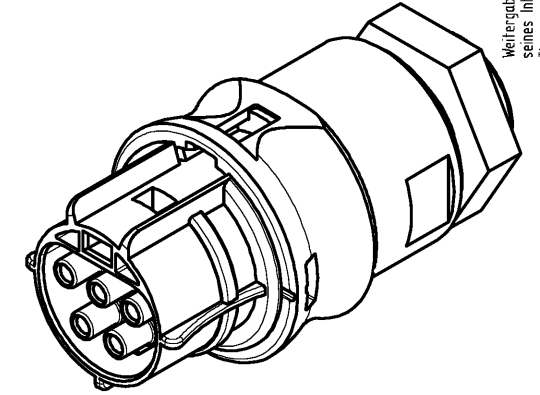
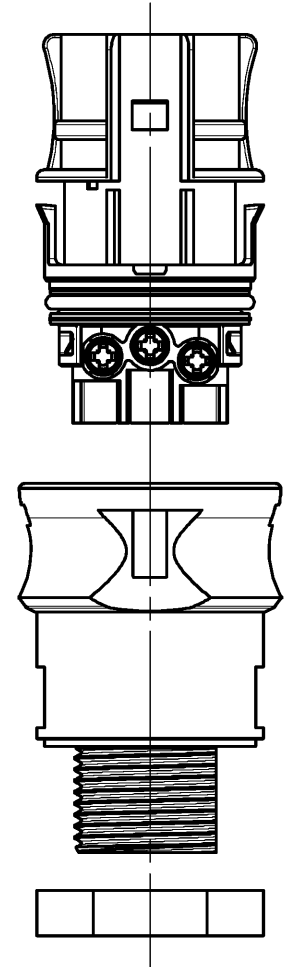
| Commercial Art.No.: | Article-type description: | Description: |
|---------------------|---------------------------|--------------|
|---------------------|---------------------------|--------------|

| | | |
|---------------|--------------------------------|--|
| 96.052.4053.1 | Connector RST20I5S S1 ZR1 V SW | RST20i5 connector, 5 pole, male, screw connection, application 250/400V with PE, 20A, for cable diameters 6-10mm, coding color black, color of housing black |
| 96.052.4153.1 | Connector RST20I5S S1 ZR2 V SW | RST20i5 connector, 5 pole, male, screw connection, application 250/400V with PE, 20A, for cable diameters 10-14mm, coding color black, color of housing black |
| 96.052.4553.1 | Connector RST20I5S S1 ZR3 V SW | RST20i5 connector, 5 pole, male, screw connection, application 250/400V with PE, 20A, for cable diameters 14-18mm, coding color black, color of housing black |
| 96.054.4053.1 | Connector RST20I5S S1 YR1 V SW | RST20i5 connector (90° angled), 5 pole, male, screw connection, application 250/400V with PE, 20A, for cable diameters 6-10mm, coding color black, color of housing black |
| 96.054.4153.1 | Connector RST20I5S S1 YR2 V SW | RST20i5 connector (90° angled), 5 pole, male, screw connection, application 250/400V with PE, 20A, for cable diameters 10-14mm, coding color black, color of housing black |
| 96.052.4253.1 | Connector RST20I5S S1 ZRX V SW | RST20i5 splitter connector, 5 pole, male, screw connection, application 250/400V with PE, 20A, for cable diameters 6-10mm, coding color black, color of housing black |
| 96.052.4353.1 | Connector RST20I5S S1 ZRY V SW | RST20i5 splitter connector, 5 pole, male, screw connection, application 250/400V with PE, 20A, for cable diameters 10-14mm, coding color black, color of housing black |



Auslieferungszustand

delivery status



Verpackungseinheit: je 100 Stück
packaging unit: per 100

| | | |
|---|--------------------|---|
| 96.051.6053.1 | RST2015S B1 M00 SW | schwarz /black |
| 96.051.6053.0 | RST2015S B1 M00 GL | lichtgrau /light grey |
| Bestellnummer /Order number | Typ /Type | Farbe /color |
| Weitere Daten siehe KATALOG oder eKatalog. Additional data see CATALOG or eCatalog. | | www.wieland-electric.com eshop.wieland-electric.com |

Oeffnungsmassbild siehe 96.031.2053.1 14K
opening dimension see 96.031.2053.1 14K

| | | | |
|---|---|---|-------------------------------|
| Tolerierung Size ISO 14405 (Tolerance system Size ISO 14405). (This ISO-standard describes the envelope principle. According to the envelope principle the deviations of form and parallelism are limited by the size tolerances). | | ja/yes <input checked="" type="checkbox"/> Stoffverbots- und Deklarationsliste nach WN 5020.010 ist einzuhalten. Conformity with Wieland document WN 5020.010 e (list of prohibited / declarable hazardous substances) to be declared! | |
| Freitoleranz nach General tolerance | CAD - Zeichnung, keine manuellen Änderungen CAD - drawing, no manual modifications allowed | 1.Verwendung: First Use: | Blatt: 1 von 1 Sheet: of 1 |
| Werkstoff/Material | 2015 Tag/Date | Name | Zeichnung Nr./Drawing No. |
| Maßstab/Scale | gezeichnet drawn | Nagengast F. | |
| 1:1 | geprüft checked | - | T 96.051.6053.0 13K |
| Vol. mm³ Of l./Surf. mm² | Normgepr. Stand. check | - | |
| Ersatz für/Replacement for: - | | Maße in mm/Dimensions are in mm | |
| Type | | Benennung/Title | |
| www.wieland-electric.com | | BUCHSENTEIL female connector | |
| Index | Datum / Blatt Date / Sheet | | |
| Änderung/Revision | | | |

These dimensions will be especially checked at delivery
Only inspection dimensions
With /E marked dimensions are only valid for internal use

Diese Maße werden bei Abnahme besonders geprüft
Ausschließlich Prüfmaße
Mit /E gekennzeichnete Maße sind nur für interne Zwecke gültig

Weitergabe sowie Vervielfältigung dieses Dokuments, Verwertung und Mitteilung seines Inhalts sind verboten, soweit nicht ausdrücklich gestattet.
The reproduction, distribution and utilization of this document as well as the communication of its contents to others without express authorization is prohibited.