


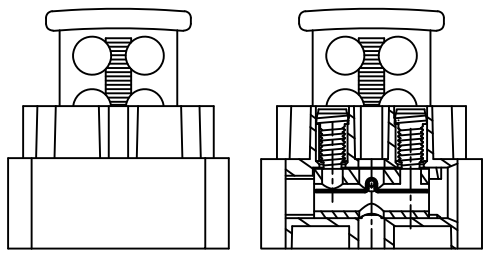
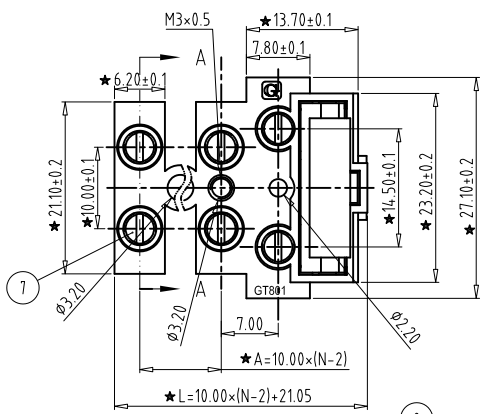
REV	CONTENT	CHK	DATE
V0.0	CONTENT	CXL	20.05.11

Electrical :

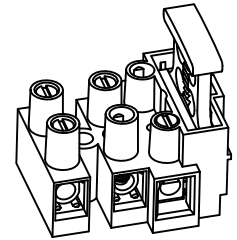
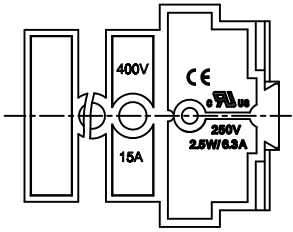
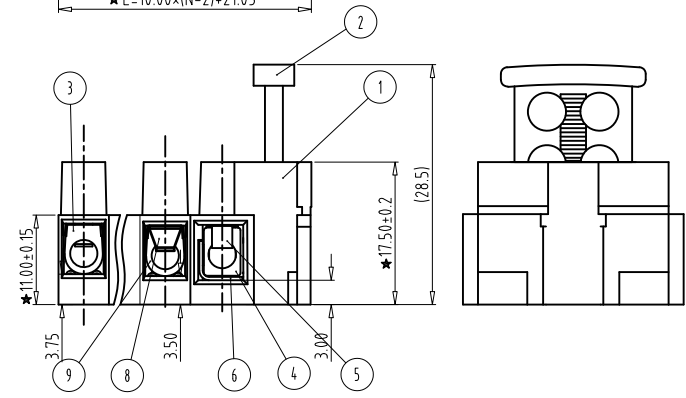
- | | | |
|---|---|------------------------|
| | UL | IEC |
| 1.Rated Voltage : | 300V | 250V |
| 2.Rated Current : | 6.3A | 6.3A |
| 3.Torque Value : | M3,4.43Lb.in | M3, 0.5N.m |
| 4.Wire Range: | 22-14AWG | 0.5-2.5mm ² |
| 5.Stripping Length : | 6-7mm | |
| 6.Withstanding Voltage : | AC2000V/1Min. | |
| 7.Operating Temperature : | -40°C~+105°C | |
| 8.RoHS Compliance | | |
| 9.Safty Approval : |  | |
| 10."★" is the key quality control point | | |

GT1450HB-801 -XXP - X X - 100

- | | |
|-------------------------------------|------------------|
| ① Series NO. | ③ 1 Single Pitch |
| | 2 Double Pitch |
| ② Poles | ④ Color: 1 Grey |
| 02 02Contacts | 2 Blue |
| 03 03Contacts | 3 Black |
| ... | 4 Green |
| 05 05Contacts | 5 Orange |
| | 6 Red |
| | 7 Transparent |
| | 8 Yellow |
| | 9 White |
| ⑤ Customer Request: 100--Brass Cage | |



SECTION A-A



9	Brass Cage-02	XX	1	Brass	Ni Plated
8	Spring-02	XX	2	Stainless Steel	/
7	SCREW	XX	2P	Steel	Zn Plated
6	Clamp	XX	2	Phosphor Bronze	Ni Plated
5	Spring	XX	2	Stainless Steel	/
4	Brass Cage	XX	2	Brass	Ni Plated
3	Current carrier	XX	P-2	Brass	Ni Plated
2	HAND	XX	1	PA66 UL94V-0	SEE NOTE
1	HOUSING	XX	1	PA66 UL94V-0	SEE NOTE

Total Pitch Tolerances in mm										Nominal dimension range in mm										⊥	=	-	//		
over 0	over 30	over 53	over 70	over 90	over 115	over 150	over 250	over 350	over 500	over 0	over 30	over 53	over 70	over 90	over 115	over 150	over 200	over 250	over 320	0	over 10	all	0	over 100	over 150
±0.18	±0.20	±0.25	±0.3	±0.35	±0.4	±0.60	±0.70	±0.85	±0.20	±0.25	±0.30	±0.35	±0.4	±0.55	±0.70	±0.80	±0.90	0.2	0.3	0.3	0.3	0.2	0.3	0.5	

ITEM	NAME OF PART	NO. OF PART	Q'TY	MATERIAL	NOTE
DWG.	CXL	DATE	20.05.11	SIZE	A4 UNITS mm SHEET/OF 1/1
CHK.		DATE		SCALE	1:1
APP.		DATE		NAME	GT1450HB-801-XXP-XX-100
				DWGNO.	XXXX

Grolten 宁波冠泰电子有限公司
NINGBO GOLTEN ELECTRONICS CO., LTD.