

Data sheet

Commercial Art.No.: 70.352.3235.0

Hood BAS GOT GC 32 M32 50 A0

Hood revos basic made of aluminum, for double locking lever or. screw cap with cable gland M32 on the top (IP54), low version, 32-poles



Commercial Art.No.	70.352.3235.0
EAN	4015573626560
Order Unit	1

Certificates / Approvals



Technical data

General

Housing material	aluminum
Color	Grey
Surface	With powder coating
Degree of protection (IP)	IP54
UV resistant	yes
Inflammability class of insulation material acc. with UL94	Other
Operating temperature range min.	-40 °C
Operating temperature range max.	120 °C

Model

Construction	32
Locking mechanism	Double locking levers
Cable entry	Above
Type of cable	Gland nut
With cable screw gland	yes
Thread size M	32
Thread size PG	
Hinged lid	No
EMC-version	No
Length	94 mm
Width	83 mm
Height	94 mm

Classification

ECLASS 11	
ECLASS 8.1	27440202
ETIM 7.0	EC000437
ETIM 6.0	EC000437
ETIM 5.0	EC000437
ETIM 4.0	EC000437
ETIM 3.0	EC000437

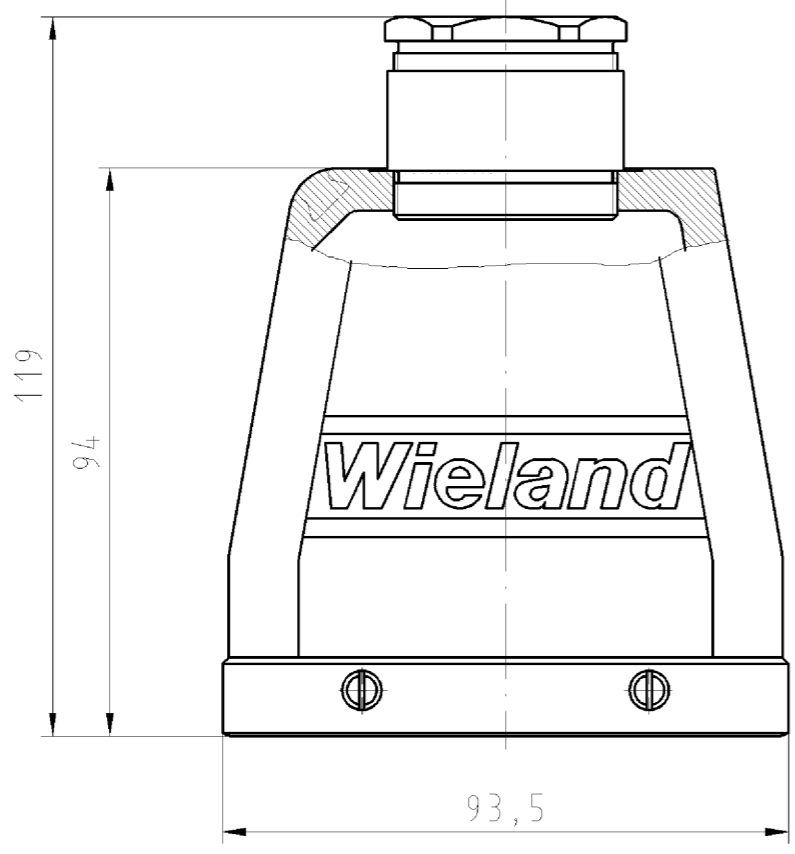
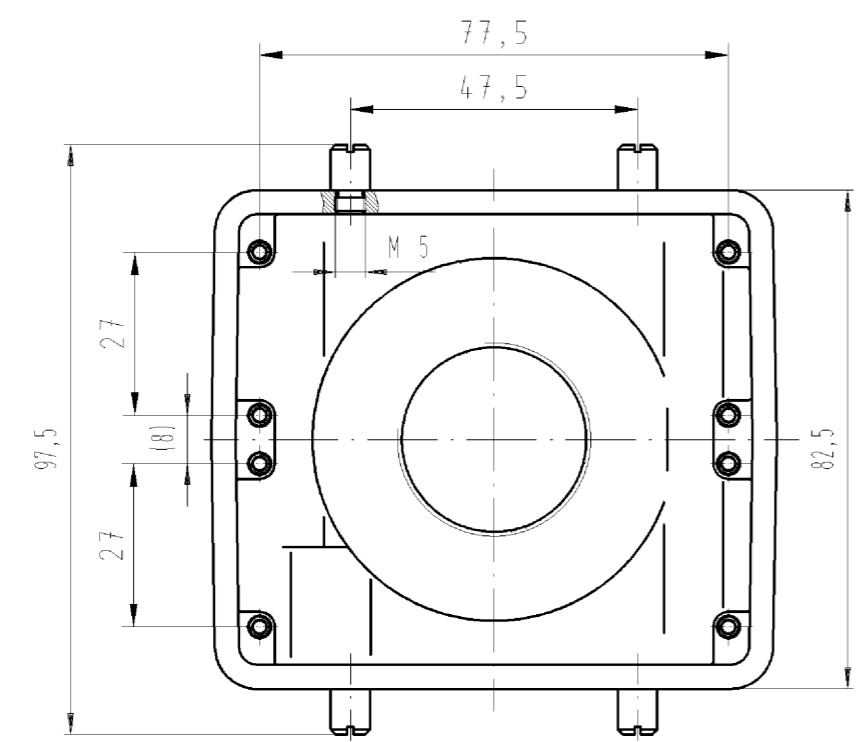
Product compliance

ROHS conformity status	Compliant/Exempted
ROHS exceptions	III-6(c)
REACH-SVHC conformity status	Duty-To-Declare
REACH-SVHC substances	Lead
REACH-SVHC CAS numbers	7439-92-1

Fits with

Commercial Art.No.:	Article-type description:	Description:
70.300.3253.0	Female insert BAS BUS 32 2,5 50	Female insert revos basic, 32-poles, rated current: 16A, rated voltage:500V, with tin-plated contacts
70.310.3253.0	Male insert BAS STS 32 2,5 50	Male insert revos basic, 32-poles, rated current: 16A, rated voltage: 500V, with tin-plated contacts
70.500.3253.0	Female insert BAS BUF 32 2,5 50	Female insert revos basic, 32-poles, rated current: 16A, rated voltage:500V, with tin-plated contacts
70.510.3253.0	Male insert BAS STF 32 2,5 50	Male insert revos basic, 32-poles, rated current: 16A, rated voltage: 500V, with tin-plated contacts
70.700.3253.0	Female insert BAS BUC 32 50	Female insert revos basic, 32-poles, rated current: 16A, rated voltage:500V, with tin-plated contacts
70.710.3253.0	Male insert BAS STC 32 50	Male insert revos basic, 32-poles, rated current: 16A, rated voltage: 500V, with tin-plated contacts
72.300.3253.0	Female insert BAS BUS 32 2,5 69	Female insert revos basic, 32-poles, rated current: 16A, rated voltage:690V, with tin-plated contacts
72.310.3253.0	Male insert BAS STS 32 2,5 69	Male insert revos basic, 32-poles, rated current: 16A, rated voltage: 690V, with tin-plated contacts
73.700.8058.0	Female insert HD BUC 80 25	revos BASIC HD 80 pole + ground, female insert 250V/10A, crimp connection
73.710.8058.0	Male insert HD STC 80 25	revos BASIC HD 80 pole + ground, male insert 250V/10A, crimp connection

Diese Maße werden bei Abnahme besonders geprüft
 Ausschließlich Prüfmaße
 Mit FE gekennzeichnete Maße sind nur für interne Zwecke gültig



Ausführung .0
version .0

Kabelverschraubung M32
cable gland M32

Teile-Nr. part no.	Typ type
70.352.3235.0	BAS GOT GC 32 M32 50 A0
70.352.3235.1	BAS GOT GC 32 M32 50 A1
70.352.3235.2	BAS GOT GC 32 M32 50 A2
70.352.3235.3	BAS GOT GC 32 M32 50 A3
70.352.3235.4	BAS GOT GC 32 M32 50 A4
70.352.3235.5	BAS GOT GC 32 M32 50 A5

<p>Ausführung .1 version .1</p> <p>Gewinde M32 thread M32</p>	<p>Ausführung .2 version .2</p> <p>Stützen M32 intermediate support with thread M32</p>	<p>Ausführung .5 version .5</p> <p>Kabelverschraubung M32 cable gland M32</p>
<p>Ausführung .3 version .3</p> <p>Kabeldurchführung M32 mit Zugentlastung und Biegeschutz cable gland M32 with strain relief and bending protection</p>	<p>Ausführung .4 version .4</p> <p>Kabelverschraubung M32 mit Zugentlastung und Knickschutz cable gland M32 with strain relief and kink protection</p>	

Freitoleranz nach		CAD - Zeichnung, keine manuellen Änderungen			1. Verwendung: -		Bl.: 1 von 1		
	Maßstab	Werkstoff und Oberfläche:		2003	Tag	Name		Zeichnung Nr.	Index
	%	Farbe: silbergrau colour: silvergrey		Entworfen	10.07.	Bauer F.			
	Vol.	mm ³	011.	mm ²	Normgepr.	-		Ersatz für: -	
Buchstabe Datum / Blatt		wieland Elektrische Verbindungen			Benennung				
Änderung					GEHAEUSEOBERTE IL Größe 32 bzw. 80 / M32 von oben HOOT size 32 or rather 80 / M32 TOP SIDE				

Weitergabe sowie Vervielfältigung dieses Dokuments, Verwertung und Mitteilung seines Inhalts sind verboten, soweit nicht ausdrücklich gestattet. The reproduction, distribution and utilization of this document as well as the communication of its contents to others without express authorization is prohibited.