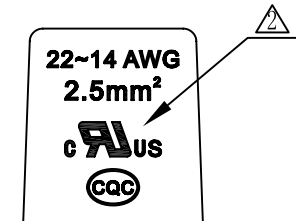
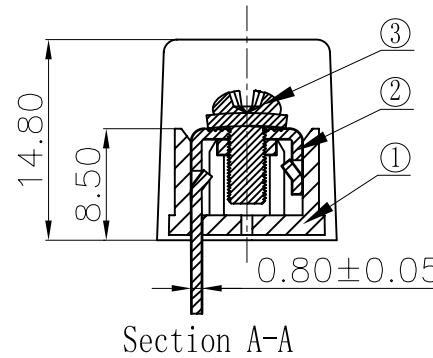
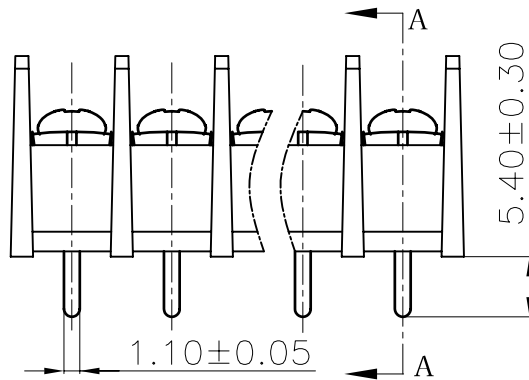
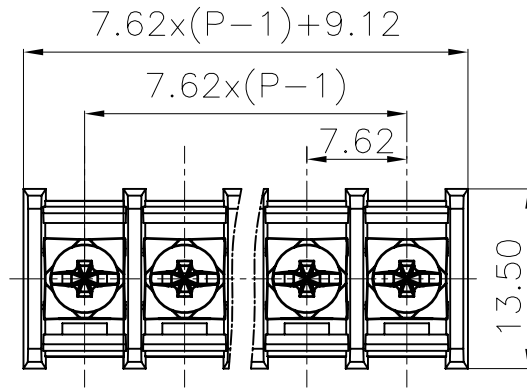


REVISION RECORD					
REV	ECO	DESCRIPTION	DRFT	DATE	
⚠		图面更新	C.SX	07/20/06	
⚠		增加UL刻字	YeJ	11/06/06	

NOTES:

1. Pitch:7.62mm
2. Rated current:15A
3. Rated voltage:300V
4. Operation temperatures:-40° C~+105° C
5. Insulation Withstand Voltage:AC2000V/1Min
6. Insulation Resistance:500MΩ/DC500V
7. Wire Range:22~14AWG
8. Max. Torque:5.10kgf.cm
9. Undimensioned Tolerances:

Pitch range in mm			Nominal dimension range in mm					
to	over	over	over	over	over	over		
6	6 to 10	10 to 24	6 to 30	30 to 90	90 to 200	200 to 480	∩	
	±0.10	±0.15	±0.25	±0.1	±0.2	±0.3	±0.5	±0.7
								0.05/10



3	3*6(6*6) "-"bright-Screw	S000000450(H)	XX	Steel	Ni Plated
2	DG25S-Pin Header	5001B00090(H)	XX	Brass	SnCe

1	DG25S Housing	5001A0YXXA(H)	1	PA66	UL94V-0
ITEM	NAME OF PART	NO. OF PART	Q"TY	MATERIAL	NOTES
DETACHED LISTS	MM (INCH)	DFTO Home	DATE 03/07/06*	宁波高正电子有限公司 DEGSON ELECTRONICS CO., LTD NAME: DG25S-B-XXP-1Y-00A(H) DRAWING NO. DG25S-E04 /PART NO. FINISH:	
	TOLERANCES EXCEPT AS NOTED	CHKD	DATE		
		MFO	DATE		
		APPVL	DATE		
		MATERIAL :			
	ANGLES ± 1°	G.E :		SIZE A3	REV T2 11/06/06*
	THIRD ANGLE PROJECTION	SCALE : 1:1	DO NOT SCALE DRAWING	SHEET 1	OF 1