

Coin Cell Holders

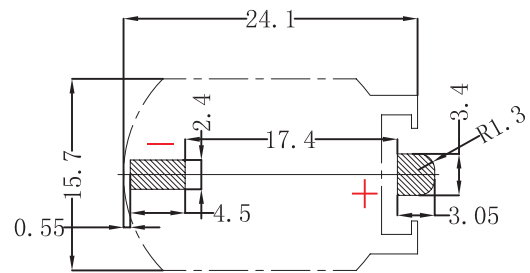
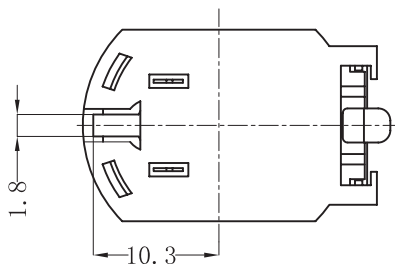
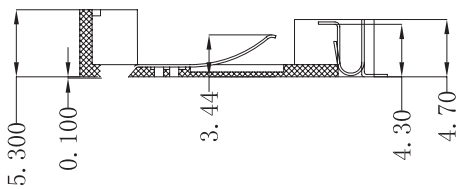
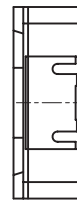
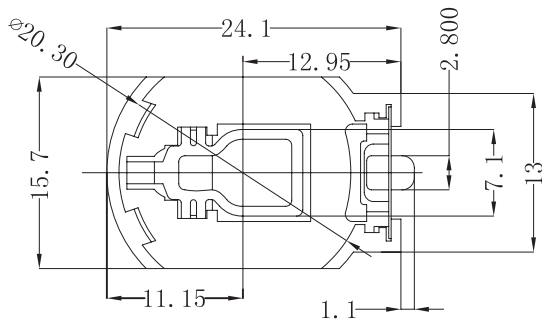
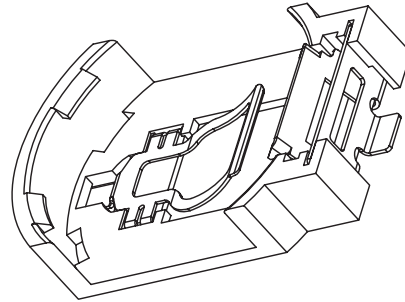
KLS5-CR2032-11 CR2032 Coin Battery Holder

Material:

Housing: PPA
Contacts: Copper plating 1u"

Electrical Characteristics:

Insulator Resistance: 1000M Ohm min.
Contact Resistance: 30m Ohm max.
Dielectric voltage: 500V AC
Operating Temperature: -25°C~+85°C



PCB Layout Diagram
Top View

ORDER INFORMATION

Product NO.: KLS5-CR2032-11-R

