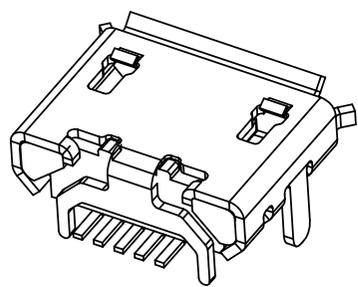
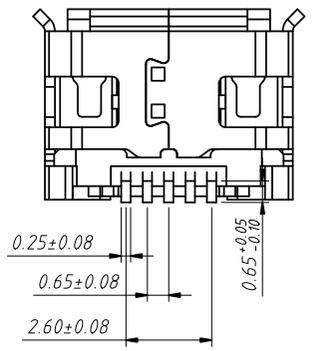
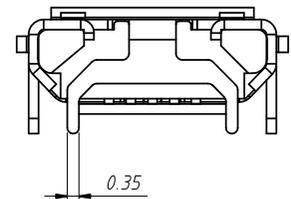
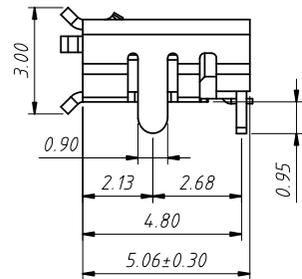
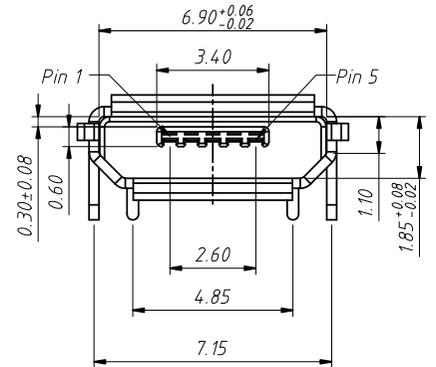
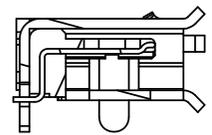


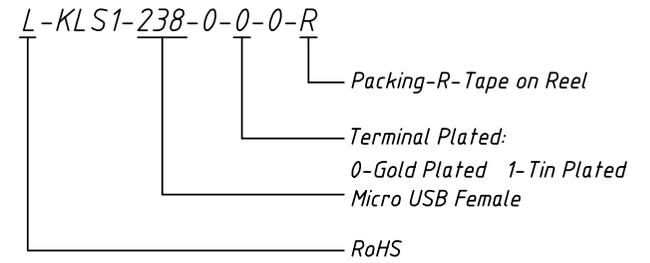
RECOMMENDED PCB LAYOUT

Material:
 Housing: High temperature thermoplastic with g.f, UL 94V-0
 Contact: copper alloy, t=0.20mm
 Shell: copper alloy, t=0.25mm

Specification:
 Current rating: 1 A Max.
 Dielectric withstanding voltage: 100V(ac) for 1min.
 Contact resistance: 50mΩ Max.
 Total unmating force: 1.0 kgf Min. 0.81 ~ 2.05 kgf. after 10000 insertion/extraction cycles
 Temperature rating: -30°C ~ +80°C



Order Information



GENERAL TOLERANCE	PROJECTION		Description:
X. ±0.50	UNITS	mm	CONN RCPT 5POS MICRO USB SMD
.X ±0.25	SCALE	1:1	
.XX ±0.10	Draw by:	Jenny	KLS P/N: L-KLS1-238-0-0-0-R
ANGLE TOLERANCE	Check by:		NingBo KLS ELECTRONIC CO.,L TD.
X. ±5°	Date	2023-04-24	
.X ±3°	SHEET	1 OF 1	
.XX ±2°			