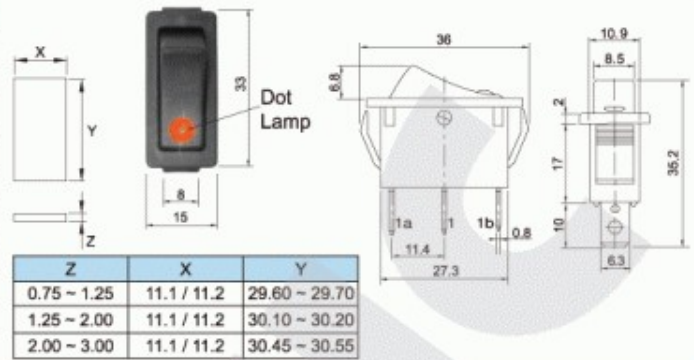


R4 series



16A 250V AC
20A 125V AC

MODEL NO.	TYPE			
R415	SPST	ON	OFF	
R425	SPDT	ON	ON	
R435	SPDT	ON	OFF	ON
R445	SPDT	ON	(ON)	
R455	SPST	OFF	(ON)	
R465	SPDT	(ON)	OFF	(ON)
R475	SPST	ON	(OFF)	
R485	SPDT	ON	OFF	(ON)
R495□□□T□□	SPST	Dot Illuminated		
R495□□□E□□	SPST	Full Rocker Illuminated		

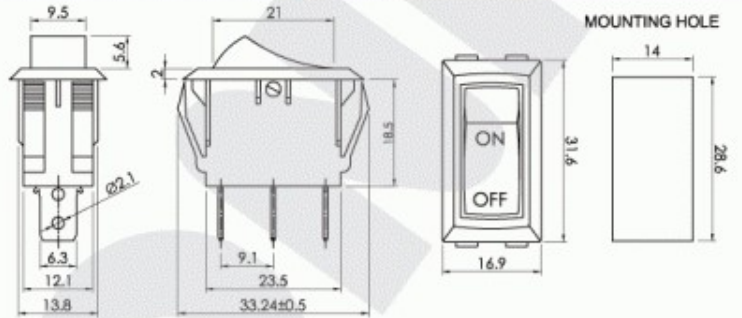


RL1-5 Series



16A 125V AC
7.5A 250V AC

MODEL NO.	TYPE		
RL1-5A	SPST	ON	OFF
RL1-5B	SPDT	ON	ON
RL1-5C	SPDT	ON	OFF ON
RL1-5D	SPST (ON)	OFF	
RL1-5E	SPST	ON	(OFF)
RL1-5F	SPDT (ON)	ON	
RL1-5H	SPDT (ON)	OFF	ON
RL1-5L	SPST	Illuminated	

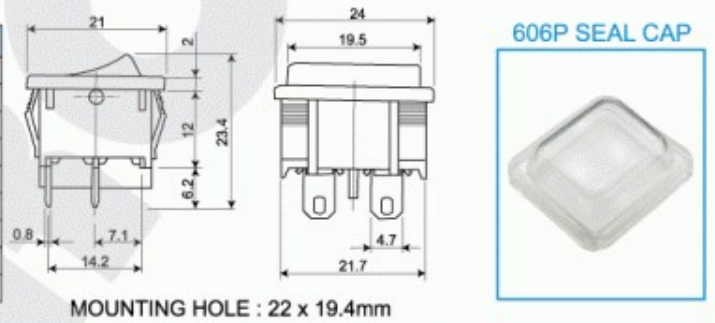


NEW 606P Series



RS-606P: 6A 250V AC
※ SS24: 16A 250V AC

MODEL NO.	TYPE		
RS-606PA	DPST	ON	OFF
RS-606PB	DPDT	ON	ON
RS-606PC	DPDT	ON	OFF ON
RS-606PD	DPST (ON)	OFF	
RS-606PE	DPST	ON	(OFF)
RS-606PF	DPDT (ON)	ON	
RS-606PAL	DPST	Illuminated	
R13-33H	DPDT	ON	OFF (ON)
R13-33I	DPDT (ON)	OFF	(ON)



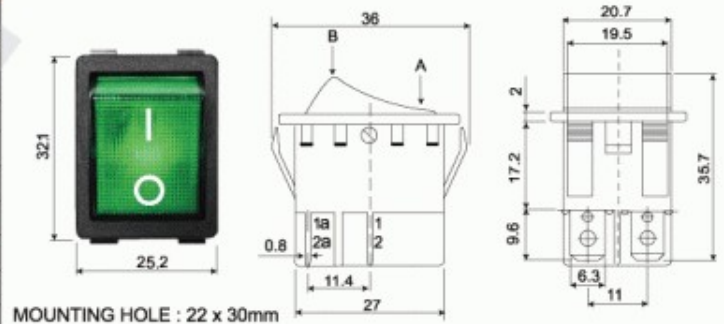
R5 series



Standard:
16A 250V AC
20A 125V AC

High Rating:
R519, R599
25A 250V AC

MODEL NO.	TYPE		
R515	DPST	ON	OFF
R519	DPST	ON	OFF (25A 250V DC)
R525	DPDT	ON	ON
R535	DPDT	ON	OFF ON
R545	DPDT	ON	(ON)
R555	DPST	OFF	(ON)
R565	DPDT (ON)	OFF	(ON)
R575	DPST	ON	(OFF)
R585	DPDT	ON	OFF (ON)
R595	DPST	Illuminated	
R599	DPST	Illuminated (25A 250V DC)	



HOW TO ORDER

MODEL NO.	+	HOUSING COLOR	+	ROCKER COLOR	or	LAMP COLOR	+	MARKING	+	TERMINAL TYPE	+	LAMP VOLTAGE	+	LAMP COLOR
		B : BLACK W : WHITE G : GRAY		B : BLACK W : WHITE G : GRAY R : RED Y : YELLOW GN : GREEN		R : RED Y : YELLOW GN : GREEN				T S		□ : NO LAMP 1 : 125V AC 2 : 250V AC 3 : 12V DC 4 : 24V DC		※ For R495□□□T□□ Dot Illuminated only { R : RED Y : YELLOW GN : GREEN

(For RS-606P & RL1-5 Series Only)