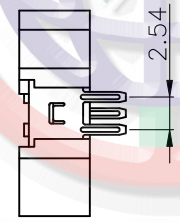
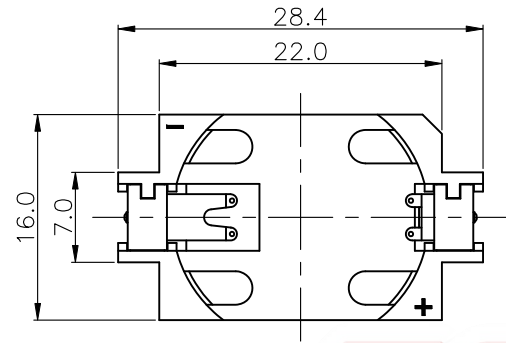


REV.	DESCRIPTION	DRAWN	CHECKED	APPROVED
A	NEW RELEASE	YCH 08/07/12'	~	LJC 08/07/12'
B	DRAWING UPDATE	JLZ 06/10/17'	~	

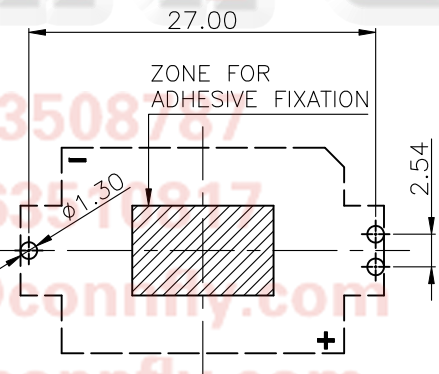
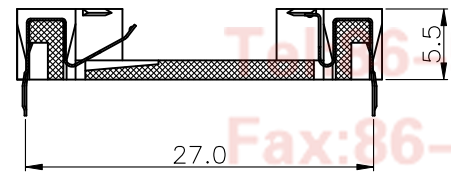


NOTE:

1. Materials:
 - 1.1 Base: Thermoplastic, UL94 V-0, Color of black.
Temp. Range: -25°C to +85°C.
 - 1.2 Positive & Negative Contacts: Copper Alloy.
2. Specification:
 - 2.1 Dielectric Withstanding Voltage: AC 500V AC.
 - 2.2 Insulation Resistance: 1000MΩ min.
 - 2.3 Contact Resistance: 100mΩ Max.
3. Part Number Code:

DS1092-07 - X X X

- Housing material:
L: LCP
- Contact plating:
6: Tin
- Housing color:
W: White



Recommend PCB Layout
Tolerance=±0.05

CONNFLY

Tel: 86-574-63508787
Fax: 86-574-63511817
E-mail: sale@connfly.com
http://www.connfly.com
Add: East Industry Zone, KuangYan
Town Cixi Ningbo China
P.C: 315333

GENERAL TOLERANCE		ANGLE TOLERANCE	
X.	±0.60	X.	±5°
.X	±0.38	.X	±3°
.XX	±0.25	.XX	±2°
DRAWING TYPE		CUSTOMER	
SCALE	1:1	SHEET	10F1
DRAWING NO.	C-DS1092-07-XXX-B		

PROJECTION	TITLE	2032 Lithium Coin Cell Battery Holders Horizontal insert type	
UNITS	mm	SHEET	DS1092-07 Series
SHEET SIZE	A4	SERIES	DS1092-07 Series

晨翔电子有限公司
CONNFLY CONNFLY ELECTRONIC CO. LTD