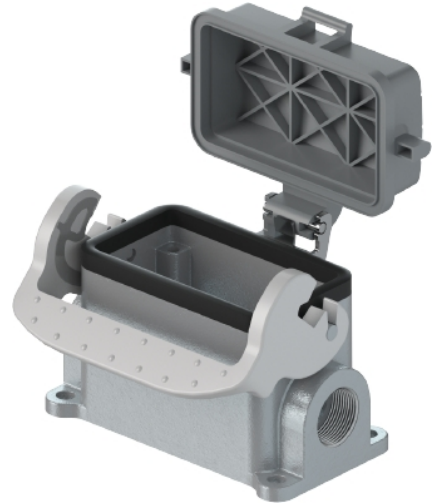


Data sheet

Commercial Art.No.: 70.340.0635.1

Bottom BAS GUT GR 6 M20 A1

Bottom-base revos basic made of aluminum, with single locking lever and threaded hole M20 on the right and the left side, with protective cover, low version, 6-polig



Commercial Art.No.	70.340.0635.1
EAN	4015573618008
Order Unit	1

Certificates / Approvals



Technical data

General

Housing material	aluminum
Color	Grey
Surface	With powder coating
Degree of protection (IP)	IP65
UV resistant	yes
Inflammability class of insulation material acc. with UL94	Other
Operating temperature range min.	-40 °C
Operating temperature range max.	120 °C

Model

Construction	6
Locking mechanism	Single locking lever
Cable entry	Two-sided
Type of cable	Thread
With cable screw gland	No
Thread size M	20
Thread size PG	
Hinged lid	yes
EMC-version	No
Length	84 mm
Width	52 mm
Height	54.7 mm

Classification

ECLASS 11	
ECLASS 8.1	27440202
ETIM 7.0	EC000437
ETIM 6.0	EC000437
ETIM 5.0	EC000437
ETIM 4.0	EC000437
ETIM 3.0	EC000437

Product compliance

ROHS conformity status	Compliant/Exempted
ROHS exceptions	III-6(a)
REACH-SVHC conformity status	Duty-To-Declare
REACH-SVHC substances	Lead
REACH-SVHC CAS numbers	7439-92-1

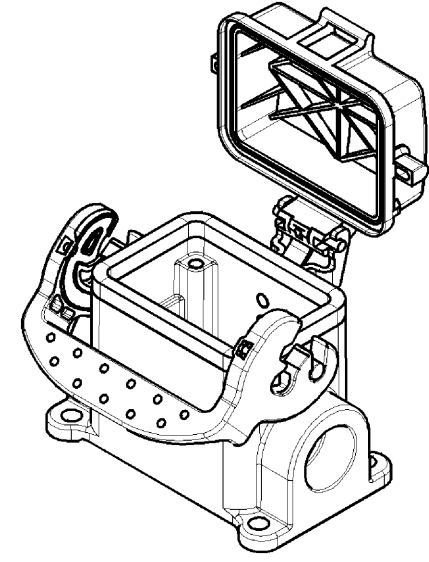
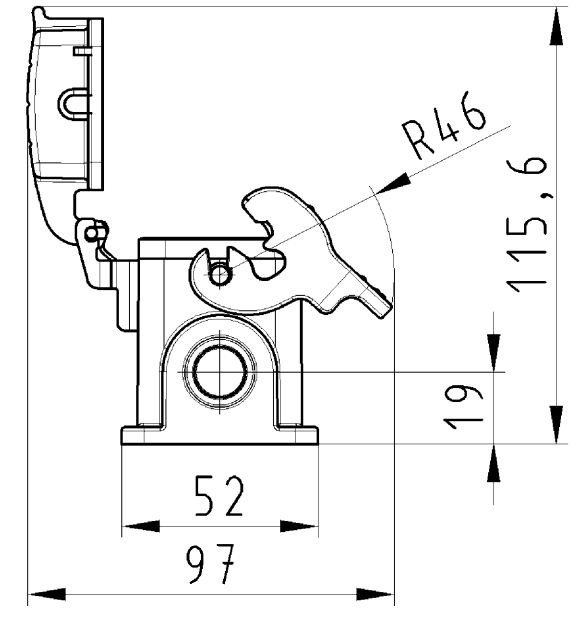
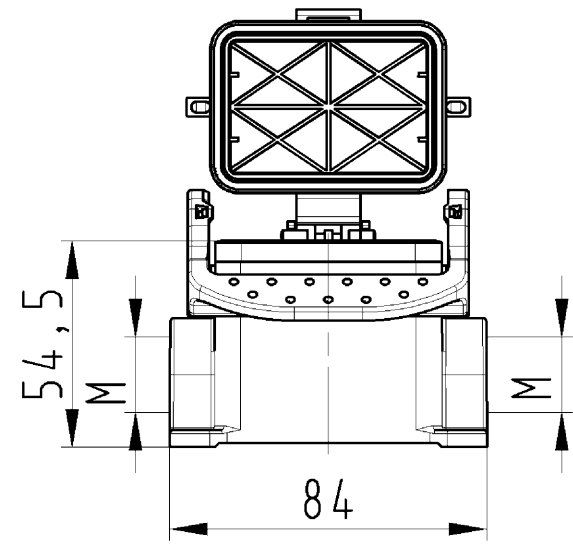
Fits with

Commercial Art.No.:	Article-type description:	Description:
70.100.0653.3	Multipole adapter BAS BAS LL 6 4,0 50	Multipole adapter revos BASIC 500V/16A screw connection 6 pole + ground, long design, female insert, ground left
70.100.0653.4	Multipole adapter BAS BAS KL 6 4,0 50	Multipole adapter revos BASIC 500V/16A screw connection 6 pole + ground, short design, female insert, ground left
70.105.0653.3	Multipole adapter BAS BAS LR 6 4,0 50	Multipole adapter revos BASIC 500V/16A screw connection 6 pole + ground, long design, female insert, ground right
70.105.0653.4	Multipole adapter BAS BAS KR 6 4,0 50	Multipole adapter revos BASIC 500V/16A screw connection 6 pole + ground, short design, female insert, ground right
70.110.0653.3	Multipole adapter BAS SAS LL 6 4,0 50	Multipole adapter revos BASIC 500V/16A screw connection 6 pole + ground, long design, male insert, ground left
70.110.0653.4	Multipole adapter BAS SAS KL 6 4,0 50	Multipole adapter revos BASIC 500V/16A screw connection 6 pole + ground, short design, male insert, ground left
70.115.0653.3	Multipole adapter BAS SAS LR 6 4,0 50	Multipole adapter revos BASIC 500V/16A screw connection 6 pole + ground, long design, male insert, ground right
70.115.0653.4	Multipole adapter BAS SAS KR 6 4,0 50	Multipole adapter revos BASIC 500V/16A screw connection 6 pole + ground, short design, male insert, ground right
70.101.0653.0	Multipole adapter BAS BAF KL 6 2,5 50	Multipole adapter revos BASIC 500V/16A spring clamp connection 6 pole + ground, short design, female insert, ground left
70.106.0653.0	Multipole adapter BAS BAF KR 6 2,5 50	Multipole adapter revos BASIC 500V/16A spring clamp connection 6 pole + ground, short design, female insert, ground right
70.111.0653.0	Multipole adapter BAS SAF KL 6 2,5 50	Multipole adapter revos BASIC 500V/16A spring clamp connection 6 pole + ground, short design, male insert, ground left
70.116.0653.0	Multipole adapter BAS SAF KR 6 2,5 50	Multipole adapter revos BASIC 500V/16A spring clamp connection 6 pole + ground, short design, male insert, ground right
70.300.0602.0	Female insert BAS BUS 6 2,5 50 AG	Female insert revos basic, 6-poles, rated current: 16A, rated voltage: 500V, with silver-plated contacts
70.300.0640.0	Female insert BAS BUS 6 2,5 50	Female insert revos basic, 6-poles, rated current: 16A, rated voltage: 500V, with tin-plated contacts
70.301.0640.0	Female insert BAS BUS 6 2,5 50 AU	Female insert revos basic, 6-poles, rated current: 16A, rated voltage: 500V, with gold-plated contacts
70.302.0640.0	Female insert BAS BUS OD 6 2,5 50	Female insert revos basic, 6-poles, rated current: 16A, rated voltage: 500V, with tin-plated contacts
70.310.0602.0	Male insert BAS BUS OD 6 2,5 50	Female insert revos basic, 6-poles, rated current: 16A, rated voltage: 500V, with tin-plated contacts

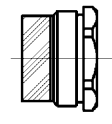
70.310.0640.0	Male insert BAS STS 6 2,5 50	Male insert revos basic, 6-poles, rated current: 16A, rated voltage: 500V, with tin-plated contacts
70.311.0640.0	Male insert BAS STS 6 2,5 50 AU	Male insert revos basic, 6-poles, rated current: 16A, rated voltage: 500V, with gold-plated contacts
70.312.0640.0	Male insert BAS STS OD 6 2,5 50	Male insert revos basic, 6-poles, rated current: 16A, rated voltage: 500V, with tin-plated contacts
70.500.0653.0	Female insert BAS BUF 6 2,5 50	Female insert revos basic, 6-poles, rated current: 16A, rated voltage: 500V, with silver-plated contacts
70.510.0653.0	Male insert BAS STF 6 2,5 50	Male insert revos basic, 6-poles, rated current: 16A, rated voltage: 500V, with tin-plated contacts
70.700.0658.0	Female insert BAS BUC 6 50	Female insert revos basic, 6-poles, rated current: 16A, rated voltage: 500V, with tin-plated contacts
70.710.0658.0	Male insert BAS STC 6 50	Male insert revos basic, 6-poles, rated current: 16A, rated voltage: 500V, with tin-plated contacts
72.300.0653.0	Female insert BAS BUS 6 2,5 69	Female insert revos basic, 6-poles, rated current: 16A, rated voltage: 690V, with tin-plated contacts
72.310.0653.0	Male insert BAS STS 6 2,5 69	Male insert revos basic, 6-poles, rated current: 16A, rated voltage: 690V, with tin-plated contacts
72.700.0658.0	Female insert BAS BUC 6 69	Female insert revos basic, 6-poles, rated current: 16A, rated voltage: 690V, with tin-plated contacts
72.710.0658.0	Male insert BAS STC 6 69	Male insert revos basic, 6-poles, rated current: 16A, rated voltage: 690V, with tin-plated contacts
73.800.2453.0	Female insert DD BUC 24 1,5 25	revos DD 24 pole + ground, female insert 250V/10A, crimp connection
73.810.2453.0	Male insert DD STC 24 1,5 25	revos DD 24 pole + ground, male insert 250V/10A, crimp connection
70.405.0653.0	Female insert BAS BUP 6 2,5 50 AG	Female insert revos basic, 6-poles, rated current: 16A, rated voltage: 500V, with silver-plated contacts
70.415.0653.0	Male insert BAS STP 6 2,5 50 AG	Male insert revos basic, 6-poles, rated current: 16A, rated voltage: 500V, with silver-plated contacts
70.810.1056.0	Male insert BAS STCK 10 50 PC	Male insert revos basic, 10-poles, polycarbonate insert, rated current: 16A, rated voltage: 500V, with gold-plated or silver-plated contacts

These dimensions will be especially checked at delivery
 Only inspection dimensions
 With /E marked dimensions are only valid for internal use

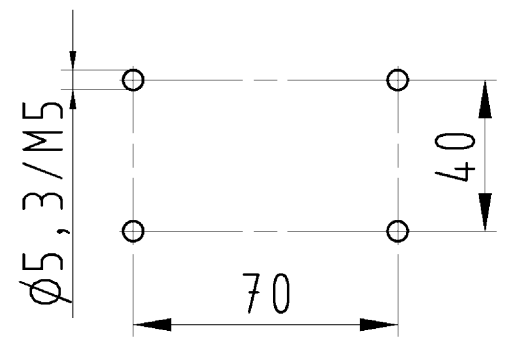
Diese Maße werden bei Abnahme besonders geprüft
 Ausschließlich Prüfmaße
 Mit /E gekennzeichnete Maße sind nur für interne Zwecke gültig



Varianten/Variants
 .0



70.340.0635.1	BAS GUT GR 6 M20 A 1	Gewindebohrung /Thread hole	X
70.340.0635.0	BAS GUT GR 6 M20 A 0	Kabelverschraubung(KV), IP54 montiert /Cable gland(CG), IP54 assembled	
Bestellnummer /Order number	Typ /Type	Varianten /Variants	dar-gestellt /drawn
Weitere Daten siehe KATALOG oder eKatalog. /Additional data see CATALOG or eCatalog.		www.wieland-electric.com www.eshop.wieland-electric.com	



Bohrbild /Cut out

Tolerierung Size ISO 14405/Tolerance system Size ISO 14405. (This ISO-standard describes the envelope principle. According to the envelope principle the deviations of form and parallelism are limited by the size tolerances).		ja/yes <input checked="" type="checkbox"/> Stoffverbots- und Deklarationsliste nach UU-TOM-05/03 ist einzuhalten. Conformity with Wieland document UU-TOM-05/03 (list of prohibited / declarable hazardous substances) to be declared!	
Freitoleranz nach General tolerance		CAD - Zeichnung, keine manuellen Änderungen CAD - drawing, no manual modifications allowed	1. Verwendung: First Use:
Blatt: 1 von 1 Sheet: of 1		Zeichnung Nr./Drawing No. Index	
/		Werkstoff/Material Aluminium beschichtet/coated grau/grey	2013 Tag/Date Name gezeichnet/drawn 07.03. Hoffmann
/ Maßstab/Scale 1:2		geprüft/checked Normgepr. /Stand. check	
/ Vol. mm³		Ofl./Surf. mm² Ersatz für/Replacement for: -	
/		Type Benennung/Titel	
/		wieland Elektrische Verbindungen	
Index Datum / Blatt Date / Sheet		revos BASIC	
Änderung/Revision		GEHÄUSEUNTERTEIL Baugröße 6-Kabelabgang 2x M20 Housing size 6-cable outlet 2x M20	

Weitergabe sowie Vervielfältigung dieses Dokuments, Verwertung und Mitteilung seines Inhalts sind verboten, soweit nicht ausdrücklich gestattet. The reproduction, distribution and utilization of this document as well as the communication of its contents to others without express authorization is prohibited.

703400635013K_2 CADW/3028_Treschan 2013-09-20T12:45:27 1.000