



# 6PK-214

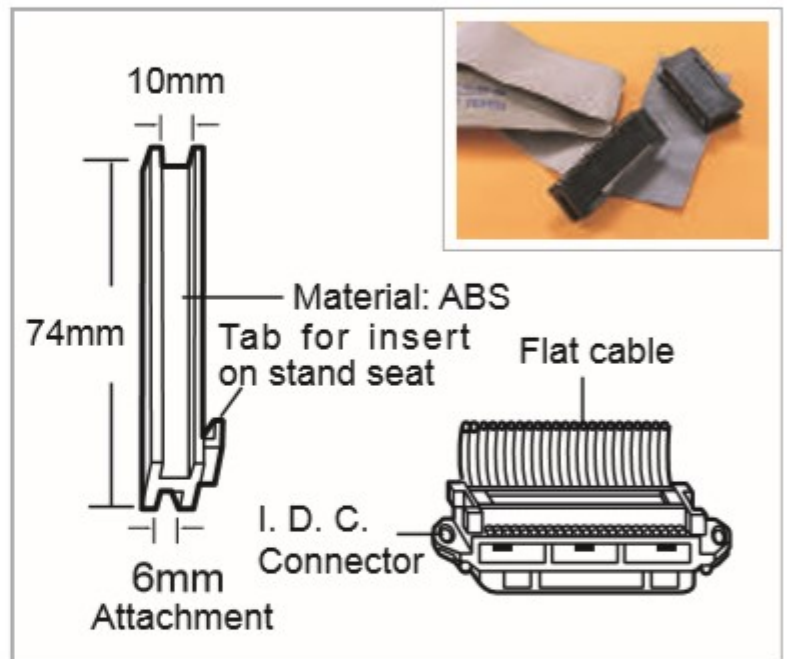
# IDC Crimp Tool



For crimping IDC-type of connectors on ribbon cable.



Crimping Distance  
6~27.5mm



Material	HRC	Handle	Application
Low Carbon steel Handle:PP	45°±3°	PP	IDC-type connectors
Crimp Size	OAL. (mm)	Individual packing	
Height: 6~27.5 mm Width(Max): 55 mm	240	Blister card	

[www.prokits.com.tw](http://www.prokits.com.tw)

[pk@mail.prokits.com.tw](mailto:pk@mail.prokits.com.tw)