

Data sheet

Commercial Art.No.: 96.233.2004.1

Cable assembly RST20i3K1-S 25P 20SW

RST20i3 connection cable male - free end, 3 pole, assembled with shrinkage tube, application 250V with PE, 20A, cable type H05VV-F, length 2.0m, cross section 2.5mm², coding color black



| | |
|--------------------|---------------|
| Commercial Art.No. | 96.233.2004.1 |
| EAN | 4015573760462 |
| Order Unit | 1 |

Certificates / Approvals



Technical data

General

| | |
|--|----------------------------------|
| Rated current | 20 A |
| Rated voltage | 250 V |
| Rated impulse voltage | 4 kV |
| Pollution degree | 3 |
| Lockable | self-locking (unlocking by tool) |
| Color of coding/ contact carrier | black |
| Marking of poles | L, N, PE |
| Color of housing inclusive strain relief | black |

Model

| | |
|---------------------------------|-------------------------------------|
| type of construction | Shrinkage tube |
| Connection type | Crimp |
| Nominal cross section conductor | 2.5 mm ² |
| Degree of protection (IP) | IP66/68 (3m;2h) |
| Wire strip length | 9 mm |
| sheath strip length | 35 mm |
| Preparation of conductor ends | ultrasonically compressed wire ends |
| Cable type | H05VV-F |
| Cable color | black |
| Cable diameter min. | 9.7 mm |
| Cable diameter max. | 10.1 mm |
| Version of cable | male - free end |
| Type of cord set | connection cable |

| | |
|---------------------|----------|
| Version cable end 1 | free end |
| Version cable end 2 | male |
| Shielded | No |

Material

| | |
|--|---------------|
| Surface finish | Silver-plated |
| halogen free | No |
| Continuous temperature of cable | 70 °C |
| Insulation components continuous temperature | 100 °C |
| Fire load | 1.228 kWh |
| Fire class | Eca |

Dimensions

| | |
|--------------|-----|
| Total length | 2 m |
|--------------|-----|

Classification

| | |
|------------|----------|
| ECLASS 11 | |
| ECLASS 8.1 | 27440604 |
| ETIM 7.0 | EC002587 |
| ETIM 6.0 | EC002587 |
| ETIM 5.0 | EC002587 |
| ETIM 4.0 | EC002587 |

Note

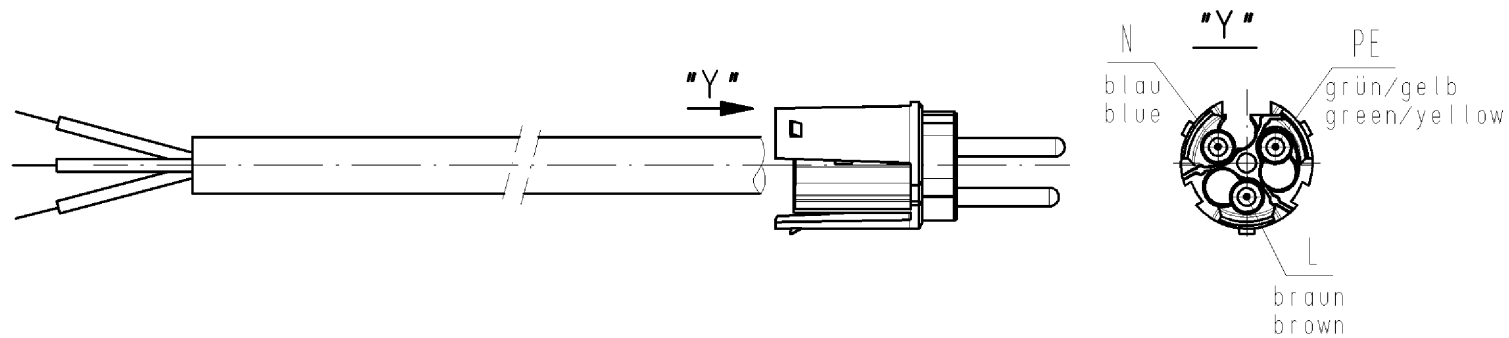
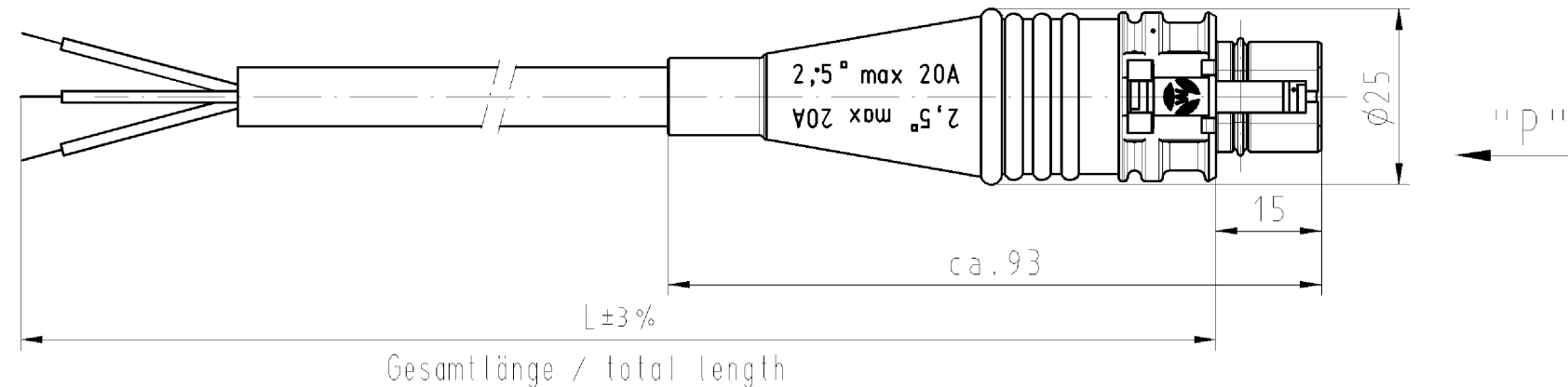
| | |
|------|--|
| Note | The total length may vary up to + / - 3 %. |
|------|--|


Product compliance

| | |
|------------------------------|--------------------|
| ROHS conformity status | Compliant/Exempted |
| ROHS exceptions | III-6(c) |
| REACH-SVHC conformity status | Duty-To-Declare |
| REACH-SVHC substances | Lead |
| REACH-SVHC CAS numbers | 7439-92-1 |

These dimensions will be especially checked at delivery
Only inspection dimensions
With /E marked dimensions are only valid for internal use

Diese Maße werden bei Abnahme besonders geprüft
Ausschließlich Prüfmaße
Mit /E gekennzeichnete Maße sind nur für interne Zwecke gültig



| | | |
|----|-------------------------|---|
| .F | Farbe colour | Codierung "p" |
| .0 | lichtgrau light grey | PE  |
| .1 | schwarz black | |

Weitergabe sowie Vervielfältigung dieses Dokuments, Verstoß und Mitteilungs seines Inhalts sind verboten, soweit nicht ausdrücklich gestattet. Die reproduction, distribution and utilization of this document as well as the communication of its contents to others without express authorization is prohibited.

Weitere Daten siehe Katalog
further data see catalog

Typ/type: RST2013K1-S 25P .. GL = lichtgrau/light grey
SW = schwarz/black

| Teile - Nr. part - no. | L | Beispiel (Farbe: schwarz) exampel (colour: black) | Typ type |
|---------------------------|--------------------|--|-----------------------|
| 96.233.XX04.F | XX in dm-Schritten | 96.233.1004.1 = 10dm/L= 1000mm | RST2013K1-S 25P 10SW |
| U6.233.XX04.F | XX in m-Schritten | U6.233.1204.1 = 12 m/L=12000mm | RST2013K1-S 25P X12SW |

| | | | |
|--|-------------------------------|---|--------------------------------|
| Tolerierung nach DIN 7167/Tolerance system acc. to DIN 7167. (This DIN-standard describes the envelope principle. According to the envelope principle the deviations of form and parallelism are limited by the size tolerances). | | ja/yes <input checked="" type="checkbox"/> Stoffverbots- und Deklarationsliste nach UU-TQM-05/03 ist einzuhalten. Conformity with Wieland document UU-TQM-05/03 (list of prohibited / declarable hazardous substances) to be declared! | |
| Freitoleranz nach General tolerance | | CAD - Zeichnung, keine manuellen Änderungen CAD - drawing, no manual modifications allowed | 1. Verwendung: - First Use: |
| Blatt: 1 von 1 Sheet: of 1 | | Zeichnung Nr./Drawing No. | |
| Werkstoff/Material | | 2006 Tag/Date | Name |
| / | | gezeichnet drawn | 28.03. Schmitt J. |
| / Maßstab/Scale | | geprüft checked | - |
| / % | | Normgepr. Stand. check | - |
| / Vol. mm ³ Öl./Surf. mm ² | | Ersatz für/Replacement for: - | |
| / | | Type | Benennung/Title |
| / | | KONFEKT_LEITUNG | |
| / | | Stecker-freies Ende / male-free end pre-assembled cable | |
| Index | Datum / Blatt Date / Sheet | wieland | |
| Änderung/Revision | | Elektrische Verbindungen | |

962330404001K_4_CADW1042_Schmitt 2006-03-30T14:16:09 1.000