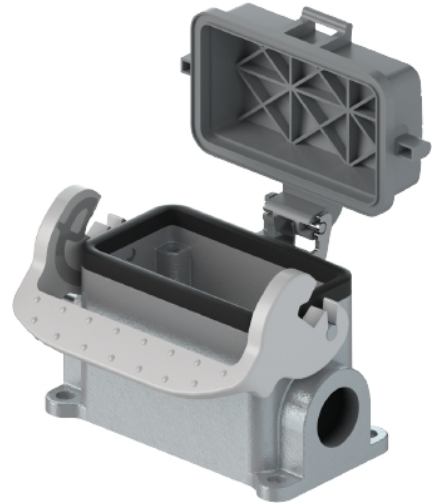


Data sheet

Commercial Art.No.: 70.341.0635.0

Bottom BAS GUT GS 6 M20 A0

Bottom-base revos basic made of aluminum, with single locking lever and cable gland M20 on the left side, with protective cover (IP54), low version, 6-polig



| | |
|--------------------|---------------|
| Commercial Art.No. | 70.341.0635.0 |
| EAN | 4015573618077 |
| Order Unit | 1 |

Certificates / Approvals



Technical data

General

| | |
|--|---------------------|
| Housing material | aluminum |
| Color | Grey |
| Surface | With powder coating |
| Degree of protection (IP) | IP54 |
| UV resistant | yes |
| Inflammability class of insulation material acc. with UL94 | Other |
| Operating temperature range min. | -40 °C |
| Operating temperature range max. | 120 °C |

Model

| | |
|------------------------|----------------------|
| Construction | 6 |
| Locking mechanism | Single locking lever |
| Cable entry | Sideways |
| Type of cable | Gland nut |
| With cable screw gland | yes |
| Thread size M | 20 |
| Thread size PG | |
| Hinged lid | yes |
| EMC-version | No |
| Length | 84 mm |
| Width | 52 mm |
| Height | 54.5 mm |

Classification

| | |
|------------|----------|
| ECLASS 11 | |
| ECLASS 8.1 | 27440202 |
| ETIM 7.0 | EC000437 |
| ETIM 6.0 | EC000437 |
| ETIM 5.0 | EC000437 |
| ETIM 4.0 | EC000437 |
| ETIM 3.0 | EC000437 |

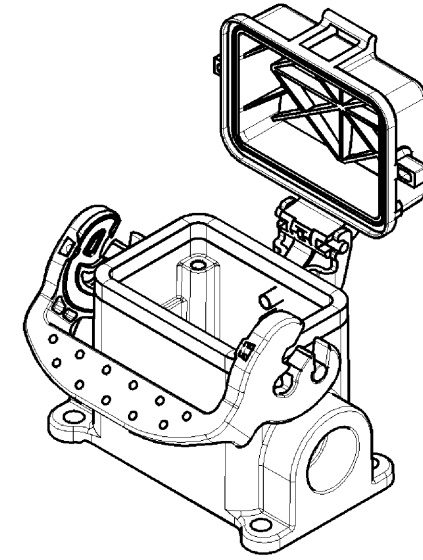
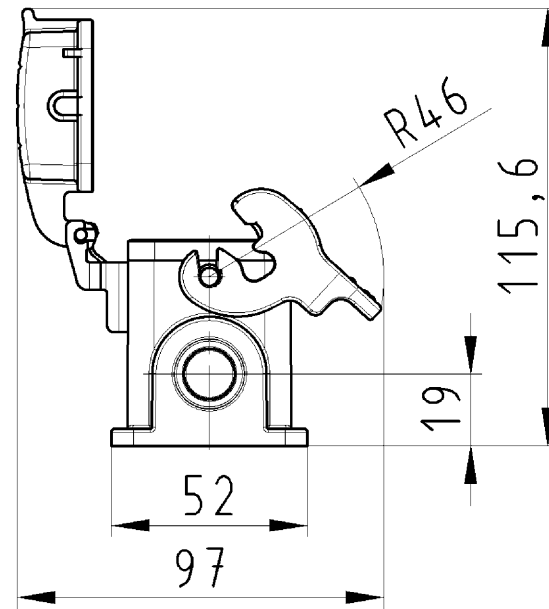
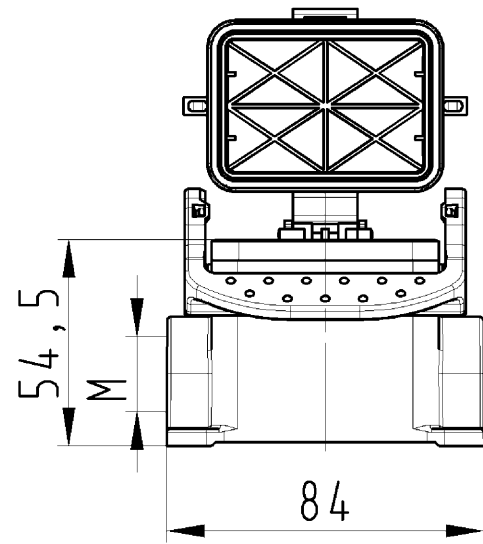
Product compliance

| | |
|------------------------------|--------------------|
| ROHS conformity status | Compliant/Exempted |
| ROHS exceptions | III-6(a); III-6(c) |
| REACH-SVHC conformity status | Duty-To-Declare |
| REACH-SVHC substances | Lead |
| REACH-SVHC CAS numbers | 7439-92-1 |

Fits with

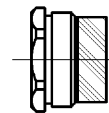
| Commercial Art.No.: | Article-type description: | Description: |
|---------------------|---------------------------------------|---|
| 70.100.0653.3 | Multipole adapter BAS BAS LL 6 4,0 50 | Multipole adapter revos BASIC 500V/16A screw connection 6 pole + ground, long design, female insert, ground left |
| 70.100.0653.4 | Multipole adapter BAS BAS KL 6 4,0 50 | Multipole adapter revos BASIC 500V/16A screw connection 6 pole + ground, short design, female insert, ground left |
| 70.105.0653.3 | Multipole adapter BAS BAS LR 6 4,0 50 | Multipole adapter revos BASIC 500V/16A screw connection 6 pole + ground, long design, female insert, ground right |
| 70.105.0653.4 | Multipole adapter BAS BAS KR 6 4,0 50 | Multipole adapter revos BASIC 500V/16A screw connection 6 pole + ground, short design, female insert, ground right |
| 70.110.0653.3 | Multipole adapter BAS SAS LL 6 4,0 50 | Multipole adapter revos BASIC 500V/16A screw connection 6 pole + ground, long design, male insert, ground left |
| 70.110.0653.4 | Multipole adapter BAS SAS KL 6 4,0 50 | Multipole adapter revos BASIC 500V/16A screw connection 6 pole + ground, short design, male insert, ground left |
| 70.115.0653.3 | Multipole adapter BAS SAS LR 6 4,0 50 | Multipole adapter revos BASIC 500V/16A screw connection 6 pole + ground, long design, male insert, ground right |
| 70.115.0653.4 | Multipole adapter BAS SAS KR 6 4,0 50 | Multipole adapter revos BASIC 500V/16A screw connection 6 pole + ground, short design, male insert, ground right |
| 70.101.0653.0 | Multipole adapter BAS BAF KL 6 2,5 50 | Multipole adapter revos BASIC 500V/16A spring clamp connection 6 pole + ground, short design, female insert, ground left |
| 70.106.0653.0 | Multipole adapter BAS BAF KR 6 2,5 50 | Multipole adapter revos BASIC 500V/16A spring clamp connection 6 pole + ground, short design, female insert, ground right |
| 70.111.0653.0 | Multipole adapter BAS SAF KL 6 2,5 50 | Multipole adapter revos BASIC 500V/16A spring clamp connection 6 pole + ground, short design, male insert, ground left |
| 70.116.0653.0 | Multipole adapter BAS SAF KR 6 2,5 50 | Multipole adapter revos BASIC 500V/16A spring clamp connection 6 pole + ground, short design, male insert, ground right |
| 70.300.0602.0 | Female insert BAS BUS 6 2,5 50 AG | Female insert revos basic, 6-poles, rated current: 16A, rated voltage: 500V, with silver-plated contacts |
| 70.300.0640.0 | Female insert BAS BUS 6 2,5 50 | Female insert revos basic, 6-poles, rated current: 16A, rated voltage: 500V, with tin-plated contacts |
| 70.301.0640.0 | Female insert BAS BUS 6 2,5 50 AU | Female insert revos basic, 6-poles, rated current: 16A, rated voltage: 500V, with gold-plated contacts |
| 70.302.0640.0 | Female insert BAS BUS OD 6 2,5 50 | Female insert revos basic, 6-poles, rated current: 16A, rated voltage: 500V, with tin-plated contacts |
| 70.310.0602.0 | Male insert BAS BUS OD 6 2,5 50 | Female insert revos basic, 6-poles, rated current: 16A, rated voltage: 500V, with tin-plated contacts |

| | | |
|---------------|-----------------------------------|--|
| 70.310.0640.0 | Male insert BAS STS 6 2,5 50 | Male insert revos basic, 6-poles, rated current: 16A, rated voltage: 500V, with tin-plated contacts |
| 70.311.0640.0 | Male insert BAS STS 6 2,5 50 AU | Male insert revos basic, 6-poles, rated current: 16A, rated voltage: 500V, with gold-plated contacts |
| 70.312.0640.0 | Male insert BAS STS OD 6 2,5 50 | Male insert revos basic, 6-poles, rated current: 16A, rated voltage: 500V, with tin-plated contacts |
| 70.500.0653.0 | Female insert BAS BUF 6 2,5 50 | Female insert revos basic, 6-poles, rated current: 16A, rated voltage: 500V, with silver-plated contacts |
| 70.510.0653.0 | Male insert BAS STF 6 2,5 50 | Male insert revos basic, 6-poles, rated current: 16A, rated voltage: 500V, with tin-plated contacts |
| 70.700.0658.0 | Female insert BAS BUC 6 50 | Female insert revos basic, 6-poles, rated current: 16A, rated voltage: 500V, with tin-plated contacts |
| 70.710.0658.0 | Male insert BAS STC 6 50 | Male insert revos basic, 6-poles, rated current: 16A, rated voltage: 500V, with tin-plated contacts |
| 72.300.0653.0 | Female insert BAS BUS 6 2,5 69 | Female insert revos basic, 6-poles, rated current: 16A, rated voltage: 690V, with tin-plated contacts |
| 72.310.0653.0 | Male insert BAS STS 6 2,5 69 | Male insert revos basic, 6-poles, rated current: 16A, rated voltage: 690V, with tin-plated contacts |
| 72.700.0658.0 | Female insert BAS BUC 6 69 | Female insert revos basic, 6-poles, rated current: 16A, rated voltage: 690V, with tin-plated contacts |
| 72.710.0658.0 | Male insert BAS STC 6 69 | Male insert revos basic, 6-poles, rated current: 16A, rated voltage: 690V, with tin-plated contacts |
| 73.800.2453.0 | Female insert DD BUC 24 1,5 25 | revos DD 24 pole + ground, female insert 250V/10A, crimp connection |
| 73.810.2453.0 | Male insert DD STC 24 1,5 25 | revos DD 24 pole + ground, male insert 250V/10A, crimp connection |
| 70.405.0653.0 | Female insert BAS BUP 6 2,5 50 AG | Female insert revos basic, 6-poles, rated current: 16A, rated voltage: 500V, with silver-plated contacts |
| 70.415.0653.0 | Male insert BAS STP 6 2,5 50 AG | Male insert revos basic, 6-poles, rated current: 16A, rated voltage: 500V, with silver-plated contacts |
| 70.810.1056.0 | Male insert BAS STCK 10 50 PC | Male insert revos basic, 10-poles, polycarbonate insert, rated current: 16A, rated voltage: 500V, with gold-plated or silver-plated contacts |

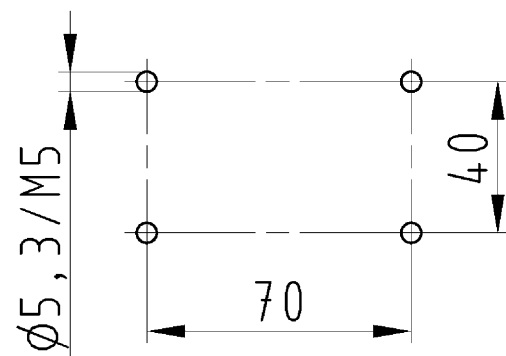


Varianten/Variants

.0



| | | | |
|---|----------------------|--|----------------------|
| 70.341.0635.1 | BAS GUT GS 6 M20 A 1 | Gewindebohrung /Thread hole | X |
| 70.341.0635.0 | BAS GUT GS 6 M20 A 0 | Kabelverschraubung(KV), IP54 montiert /Cable gland(CG), IP54 assembled | |
| Bestellnummer /Order number | Typ /Type | Varianten /Variants | dar-gestellt /drawed |
| Weitere Daten siehe KATALOG oder eKatalog. Additional data see CATALOG or eCatalog. | | www.wieland-electric.com eshop.wieland-electric.com | |



Bohrbild /Cut out

| | | | |
|---|----------------------------|---|---------------------------------|
| Tolerierung Size ISO 14405/Tolerance system Size ISO 14405. (This ISO-standard describes the envelope principle. According to the envelope principle the deviations of form and parallelism are limited by the size tolerances). | | ja/yes <input checked="" type="checkbox"/> Stoffverbots- und Deklarationsliste nach UU-TQM-05/03 ist einzuhalten. Conformity with Wieland document UU-TQM-05/03 (list of prohibited / declarable hazardous substances) to be declared! | |
| Freitoleranz nach General tolerance | | CAD - Zeichnung, keine manuellen Änderungen CAD - drawing, no manual modifications allowed | 1.Verwendung: - First Use: |
| Blatt: 1 von 1 Sheet: of 1 | | Zeichnung Nr./Drawing No. Index | |
| 70.341.0635.0 13K | | Maße in mm/Dimensions are in mm | |
| Ersatz für/Replacement for: - | | Maße in mm/Dimensions are in mm | |
| Werkstoff/Material Aluminium beschichtet/coated grau/grey | | 2013 Tag/Date Name | Zeichnung Nr./Drawing No. Index |
| Maßstab/Scale 1:2 | | gezeichnet/drawn 21.05. Treschan | 70.341.0635.0 13K |
| Vol. mm³ | | geprüft/checked - | |
| Ofl./Surf. mm² | | Normgepr. Stand. check - | |
| wieland Elektrische Verbindungen | | Benennung/Titel | |
| revos BASIC | | GEHAEUSEUNTERTEIL | |
| Baugröße 6-Kabelabgang 1x M20 links Housing size 6-cable outlet 1x M20 left | | | |
| Änderung/Revision | Datum / Blatt Date / Sheet | | |

Weitergabe sowie Vervielfältigung dieses Dokuments, Verwertung und Mitteilung seines Inhalts sind verboten, soweit nicht ausdrücklich gestattet.
The reproduction, distribution and utilization of this document as well as the communication of its contents to others without express authorization is prohibited.

703410635013K_2 CADW3028 Treschan 2013-09-20T12:46:42 1.000