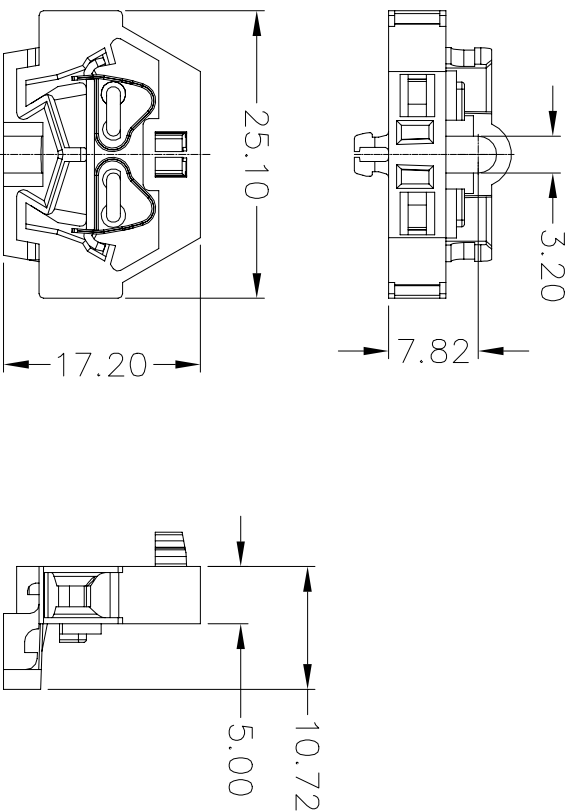




# 宁波速普电子有限公司

NINGBO SUPU ELECTRONICS.CO.,LTD

## 产品规格书 Product Specification



### 订货信息 Order Info

| 订货号<br>PART NUMBER | 颜色<br>COLOR      |
|--------------------|------------------|
| 240301             | 灰色 Gray          |
| 240302             | 橙色 Orange        |
| 240303             | 白灰色 Light Gray   |
| 240304             | 蓝色 Blue          |
| 240305             | 黄色 Yellow        |
| 240306             | 绿色 Green         |
| 240309             | 粉红色 Pink         |
| 240307             | 黄绿色 Green-yellow |

未注尺寸公差:

| Pitch<br>mm | Range |       | In<br>mm | Nominal Dimension |       | Range |       | -<br>0.05/10<br>/ | ±1* |
|-------------|-------|-------|----------|-------------------|-------|-------|-------|-------------------|-----|
|             | Over  | TO    |          | Over              | TO    | Over  | TO    |                   |     |
| 6           | 5     | 10    | 6        | 10                | 30    | 60    | 100   | 150               |     |
| 10          | 10    | 24    | 10       | 30                | 60    | 100   | 150   |                   |     |
| ±0.075      | ±0.15 | ±0.20 | ±0.20    | ±0.35             | ±0.50 | ±0.75 | ±1.00 |                   |     |

| IEC 额定数据/IEC Rated data                              |                        |
|--|------------------------|
| 接线范围/Wire range                                      | 0.2-1.5mm <sup>2</sup> |
| 单股导线/Solid   | 0.2-1.5mm <sup>2</sup> |
| 软导线/Stranded   | 0.2-1.5mm <sup>2</sup> |
| 带端头软导线/Stranded with ferrules without plastic sleeve | 0.2-1.0mm <sup>2</sup> |
| 带预绝缘端头软导线/Stranded with ferrules with plastic sleeve | 0.2-1.0mm <sup>2</sup> |
| 剥线长度/Strip length                                    | 8-9mm                  |
| 额定电压/Rated voltage                                   | 400V                   |
| 额定电流/Rated current                                   | 18A                    |
| 额定脉冲耐受电压/Rated surge voltage                         | 6KV                    |
| 污染等级/Pollution degree                                | 3                      |
| 过电压类别/Surge voltage category                         | III                    |
| 其他信息/Other information                               |                        |
| 塑件/Housing   | PA66                   |
| 触点材料/Contact   | 铜合金/Copper alloy       |
| 镀层/Coating   | 锡/Tin Plated           |
| 阻燃等级/Flame retardant rating                          | UL94-V0                |
| 使用环境温度/Usage ambient temperature                     | -25℃ - +70℃            |
| 储存及运输环境温度/<br>Storage ambient temperature            | -40℃ - +85℃            |
| 认证/Approval  |                        |

|         |         |      |  |
|---------|---------|------|--|
|         | Rev. 01 | Name | 24030X系列带固定器侧面接线端子<br>24030X series through terminal blocks<br>with fixing flanges of side-entry |
| 单位/Unit | mm      |      |  |