

GLASS PASSIVATED BRIDGE RECTIFIERS

REVERSE VOLTAGE - 50 to 1000Volts

FORWARD CURRENT - 6 Amperes

FEATURES

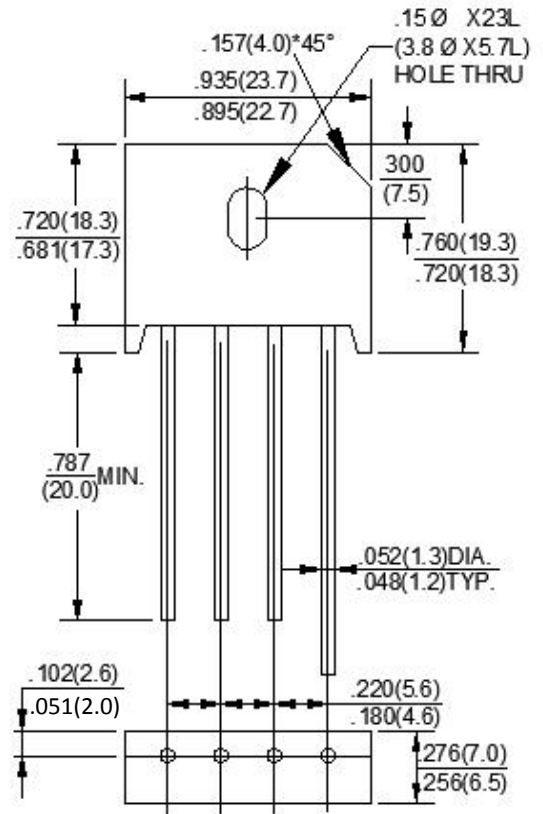
- Surge overload rating -150 amperes peak
- Ideal for printed circuit board
- Reliable low cost construction utilizing molded plastic technique
- Plastic material has UL
- Mounting position:Any
- Mounting torque:5 In.lb.Max
- Weight: 0.26ounces ,7.4grams

MAXIMUM RATINGS AND ELECTRICAL CHARACTERISTICS

Rating at 25°C ambient temperature unless otherwise specified.

Single phase, half wave ,60Hz, resistive or inductive load.

For capacitive load, derate current by 20%



Package: KBU

CHARACTERISTICS	KBU6005	KBU601	KBU602	KBU604	KBU606	KBU608	KBU610	UNIT
Maximum Recurrent Peak Reverse Voltage	50	100	200	400	600	800	1000	V
Maximum RMS Voltage	35	70	140	280	420	560	700	V
Maximum DC Blocking Voltage	50	100	200	400	600	800	1000	V
Maximum Average Forward Rectified Output Current at $T_A=50^\circ\text{C}/40^\circ\text{C}/45^\circ\text{C}$	6.0							A
Peak Forward Surge Current 8.3ms single Half Sine-Wave Super Imposed on Rated Load (JEDEC Method)	150							A
Maximum Instantaneous Forward Voltage Drop per Element at 3.0A	1.1							V
Maximum Reverse Leakage at rated $T_A=25^\circ\text{C}$	10							μA
DC Blocking Voltage Per Element $T_A=100^\circ\text{C}$	1000							mA
Operating and Storage Temperature Range T_J, T_{STG}	-55 to +150							$^\circ\text{C}$

**GLASS PASSIVATED BRIDGE RECTIFIERS
RATING AND CHARACTERISTIC CURVES**

FIG.1-DERATING CURVE FOR
OUTPUT RECTIFIED CURRENT

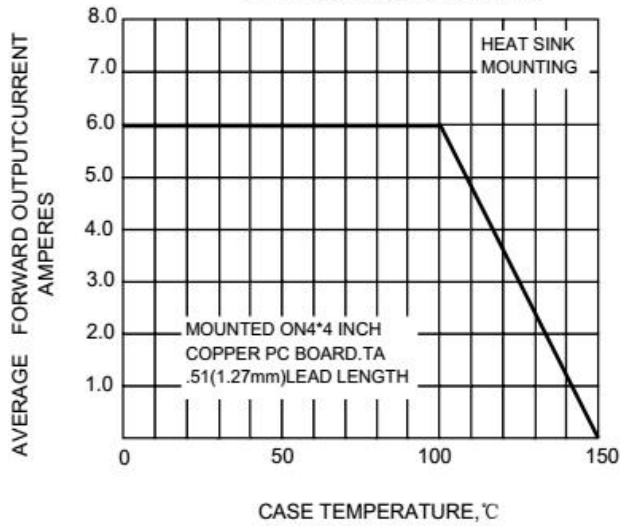


FIG.2 TYPICAL INSTANTANEOUS FORWARD
CHARACTERISTIC

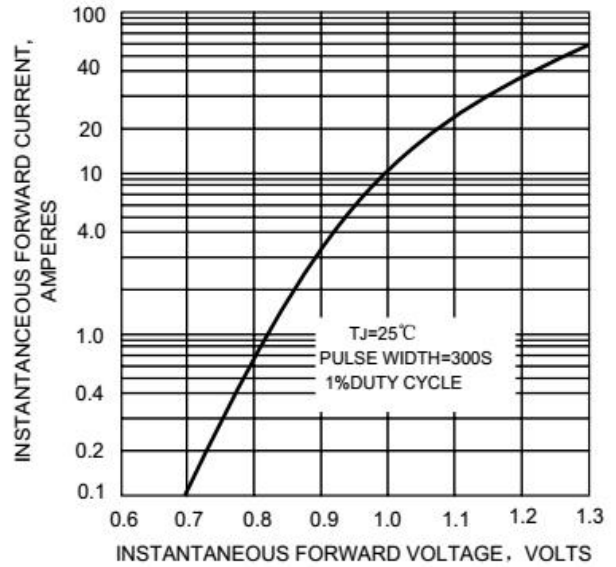


FIG.3-MAXIMUM NON-RETTETIVE PEAK
FORWARD SURGE CURRENT

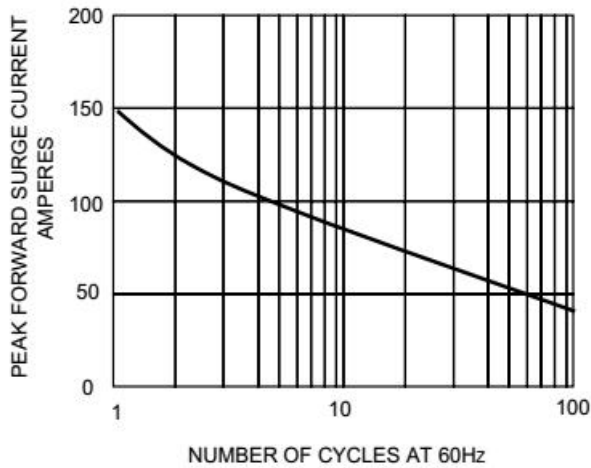


FIG.4-TYPICAL REVERSE
CHARACTERISTICS

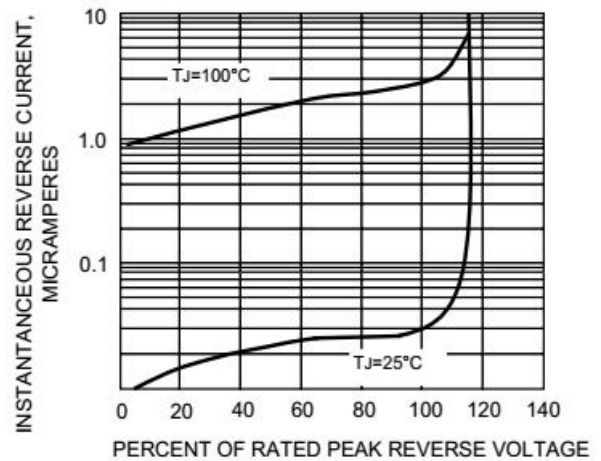


FIG.5-TYPICAL JUNCTION CAPACITANCE PER ELEMENT

