

10 9 8 7 6 5 4 3 2 1

F

F

E

E

D

D

C

C

B

B

A

A



53261-****	WAFER ASSY	MODEL NO./MATERIAL NO.
50079-****	TERMINAL	
51021-****	HOUSING	

RELEASED EC NO: J2006-2426 DRWN: A0YAGI 2006/02/02 CHKD: YMAEDA 2006/02/03 APPR: NUKITA 2006/02/07	GENERAL TOLERANCES (UNLESS SPECIFIED)		DIMENSION STYLE MM ONLY		SCALE ---	DESIGN UNITS METRIC	THIRD ANGLE PROJECTION	
	10 UNDER	± ---	DRAWN BY Y. A0YAGI	DATE 2006/01/30	TITLE 1.25 W-TO-B CONN. 51021,53261 MATING CROSS SECTION			
	10 OVER 30 UNDER	± ---	CHECKED BY Y. MAEDA	DATE 2006/01/30	MOLEX INCORPORATED			
	30 OVER	± ---	APPROVED BY N. UKITA	DATE 2006/01/30	DOCUMENT NO. SD-51021-002			
	ANGULAR	± --- °	MATERIAL NO. SEE CHART		SHEET NO. 1 OF 1			
0	DRAFT WHERE APPLICABLE MUST REMAIN WITHIN DIMENSIONS		SIZE A3		THIS DRAWING CONTAINS INFORMATION THAT IS PROPRIETARY TO MOLEX INCORPORATED AND SHOULD NOT BE USED WITHOUT WRITTEN PERMISSION			

9

8

7

6

5

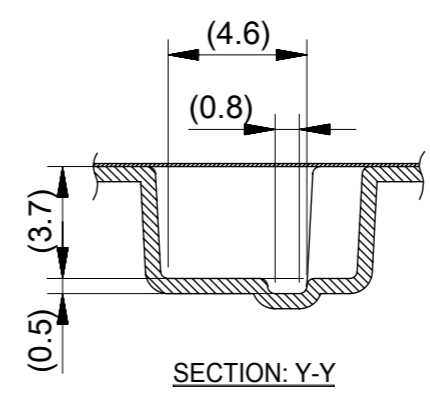
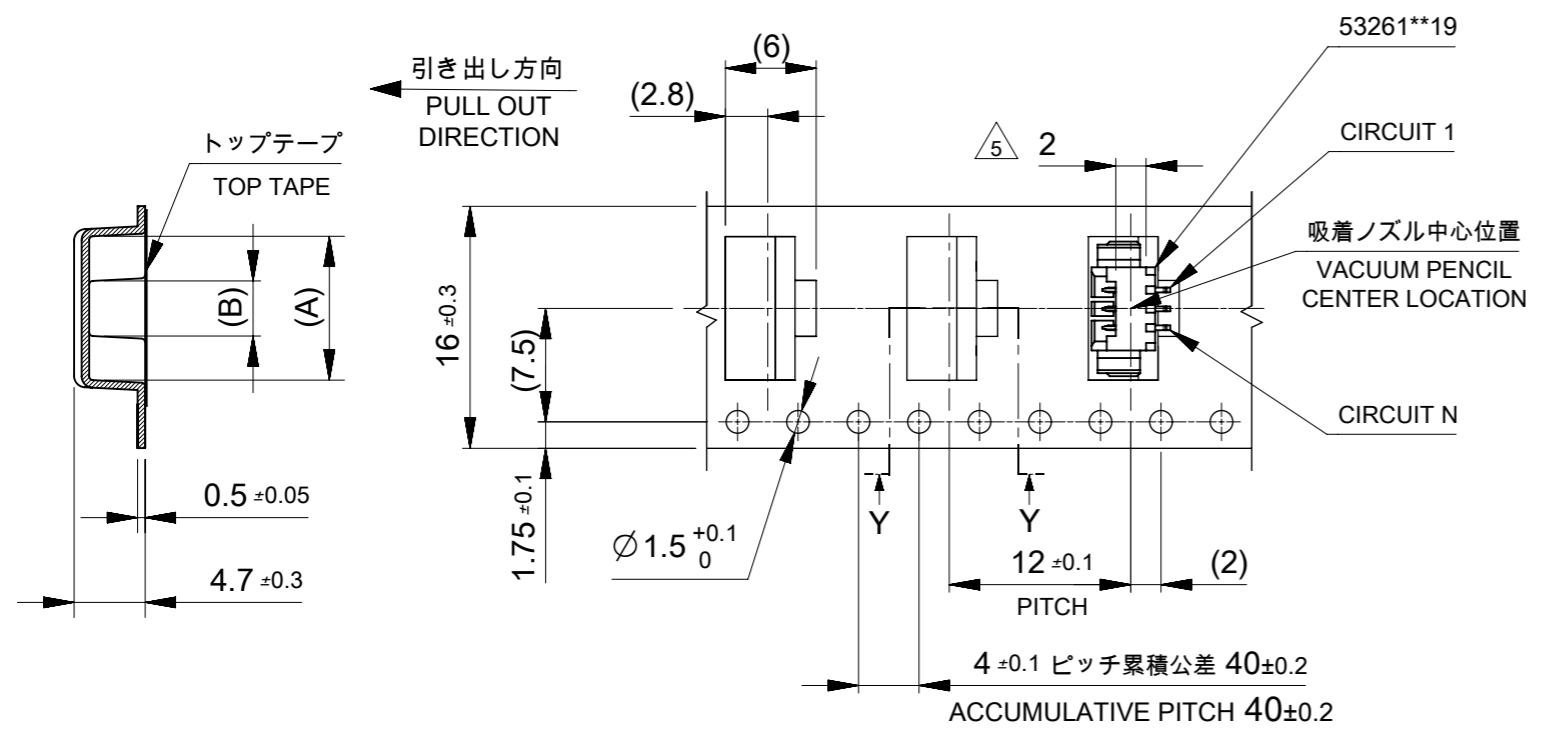
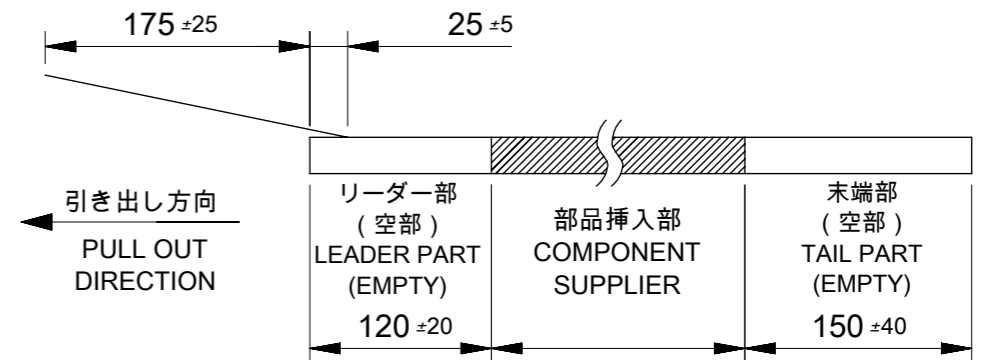
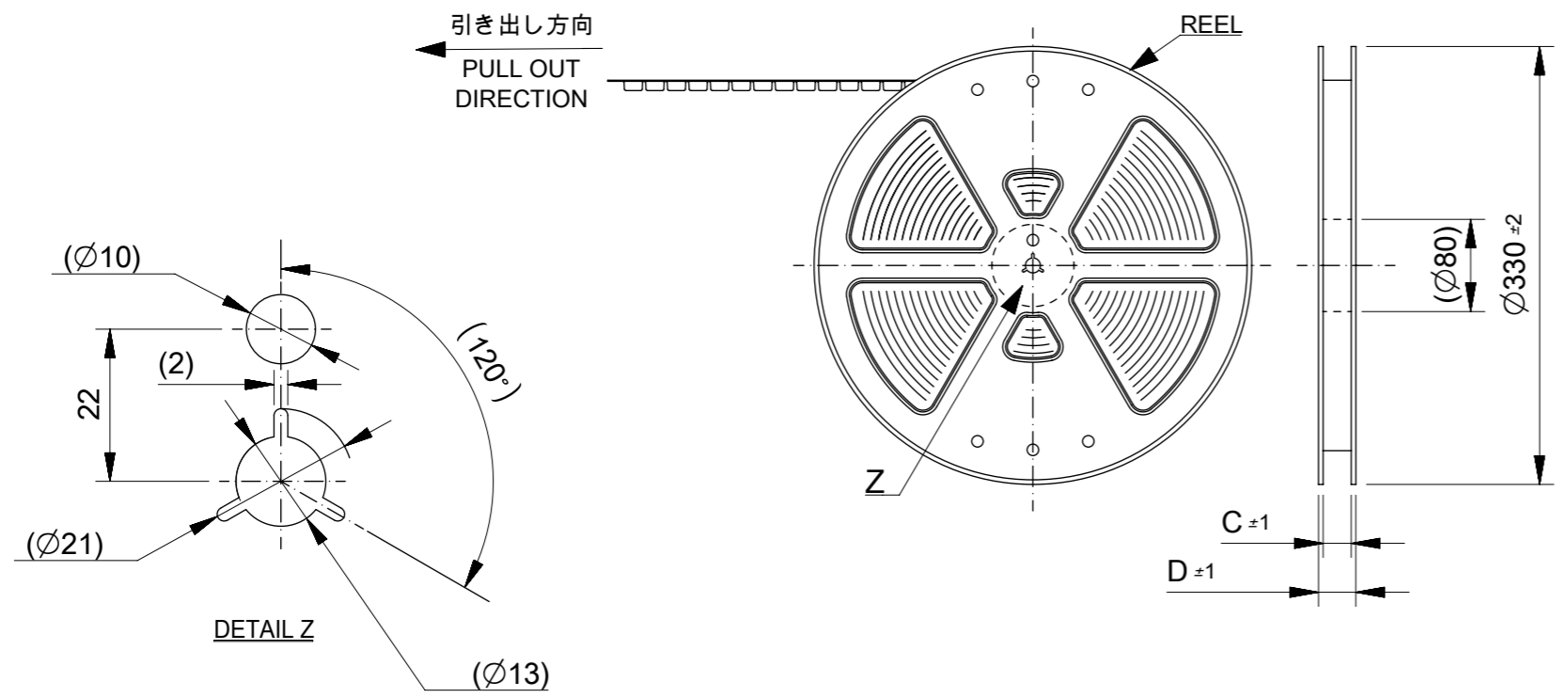
4

3

2

注釈 NOTE

- コネクタ53261**19の詳細寸法については図面SD-53261-024をご参照ください。
REFER TO DRAWING SD-53261-024 FOR DETAIL DIMENSIONS OF CONNECTOR 53261**19.
- 梱包数量: 1000個/リール
NUMBER OF CONNECTOR: 1000PCS/REEL
- リードテープ長さ LEAD TAPE LENGTH
 トップテープリーダー部 TOP TAPE LEADER PART: 175 ±25
 トップテープ未装着部 TOP TAPE NON-BONDED PART: 25 ±5
- 材料 (MATERIAL)
 キャリアテープ (CARRIER TAPE): ポリプロピレン (POLYPROPYLENE)
 トップテープ (TOP TAPE): PET, PE, PEF
 リール (REEL): ポリスチレン (PS) <リサイクル材含む> POLYSTYREN (PS) <RECYCLE MATERIAL CONTAINED>
- コネクタハウジング平面部
CONNECTOR HOUSING FLAT AREA.
- 本製品は乾燥剤入りハイバリア梱包仕様である。
THIS PRODUCT IS HIGH BARRIER PACKAGE WITH DESICCANT.

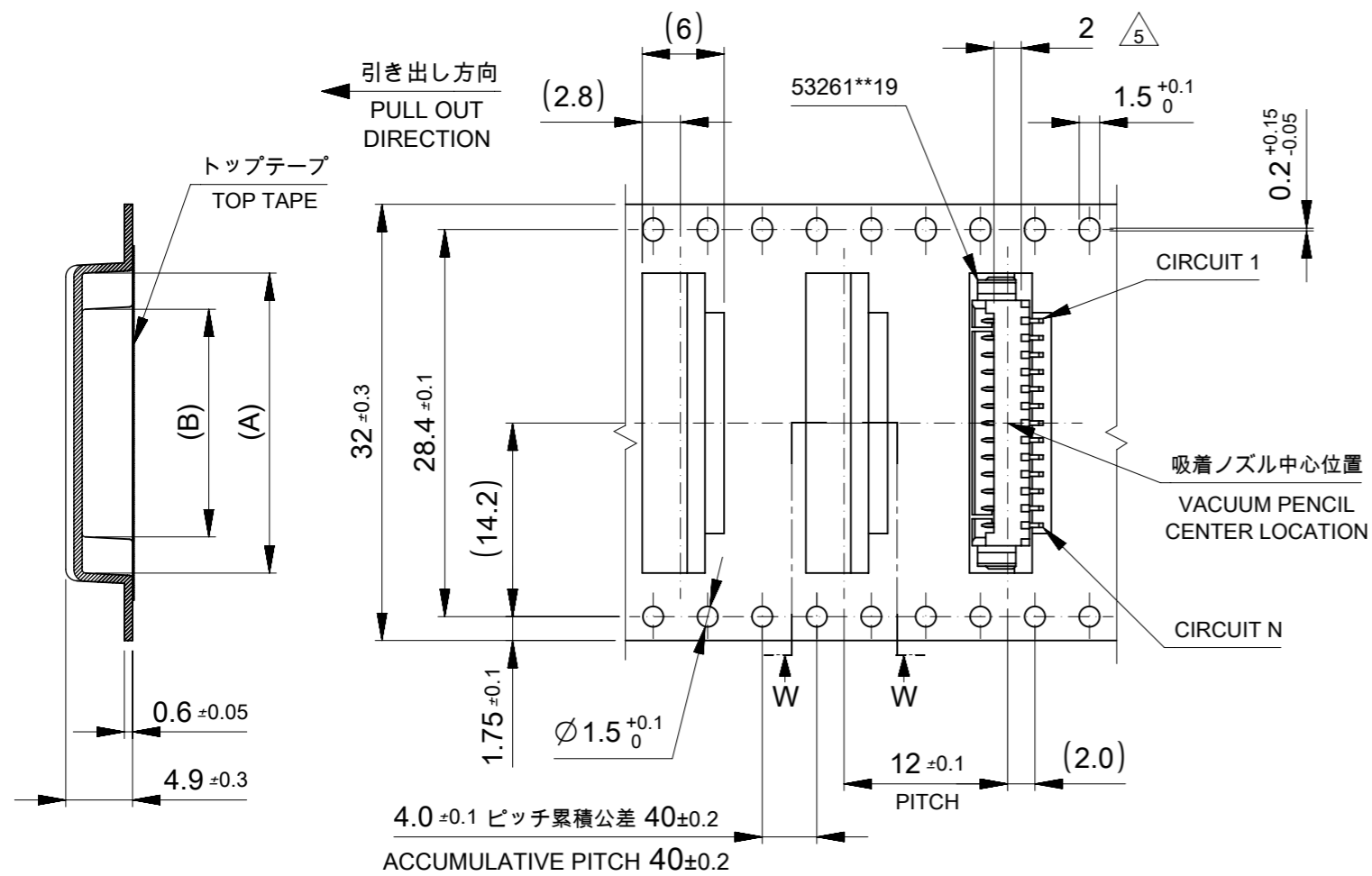


PRE-RELEASE
REFERENCE
USE ONLY

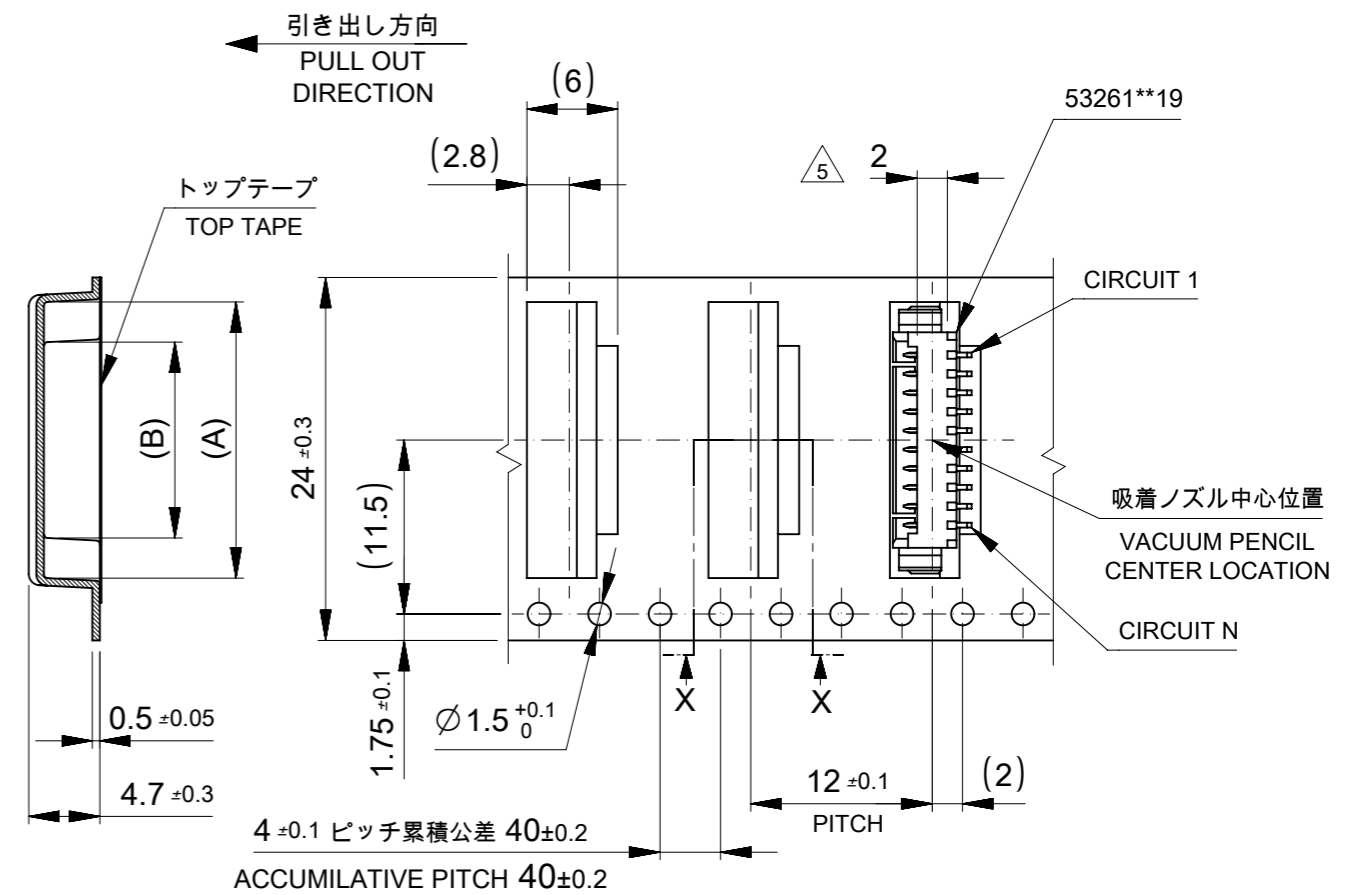
16mm幅キャリアテープ
16mm WIDTH CARRIER TAPE

16	21.4	17.4	3.7	9.5	532610371	3	
			2.45	8.25	532610271	2	
キャリアテープ幅 CARRIER TAPE WIDTH				D	C	B	A
				EMBOSSED TAPE PACKAGE		極数	
				オーダー番号 ORDER NO.		CIRCUIT	

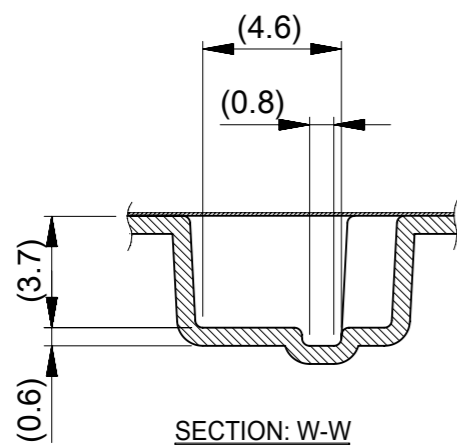
DIMENSION UNITS		SCALE		CURRENT REV DESC:				molex			
mm		NTS									
GENERAL TOLERANCES (UNLESS SPECIFIED)								PICOBLADE 1.25 W/B CONN. SMT R/A EMBOSSED TAPE PACKAGE			
ANGULAR TOL ± 3.0 °								PRODUCT CUSTOMER DRAWING			
4 PLACES ± 0.2								DOCUMENT NUMBER			
3 PLACES ± 0.2								SD-53261-023			
2 PLACES ± 0.2								DOC TYPE			
1 PLACE ± 0.2								PSD			
0 PLACES ± 0.2								DOC PART			
DRAFT WHERE APPLICABLE MUST REMAIN WITHIN DIMENSIONS								001			
THIRD ANGLE PROJECTION								REVISION			
DRAWING								F			
SERIES								SHEET NUMBER			
A3-SIZE								1 OF 4			
53261								MATERIAL NUMBER			
SEE CHART								CUSTOMER			
GENERAL MARKET											



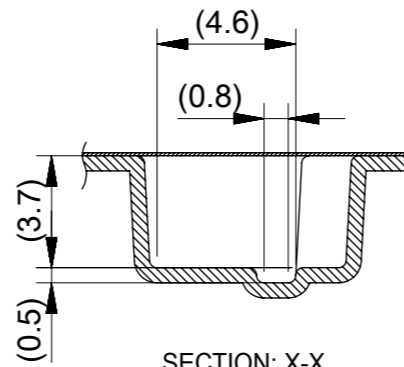
32mm幅キャリアテープ
32mm WIDTH CARRIER TAPE



24mm幅キャリアテープ
24mm WIDTH CARRIER TAPE



SECTION: W-W



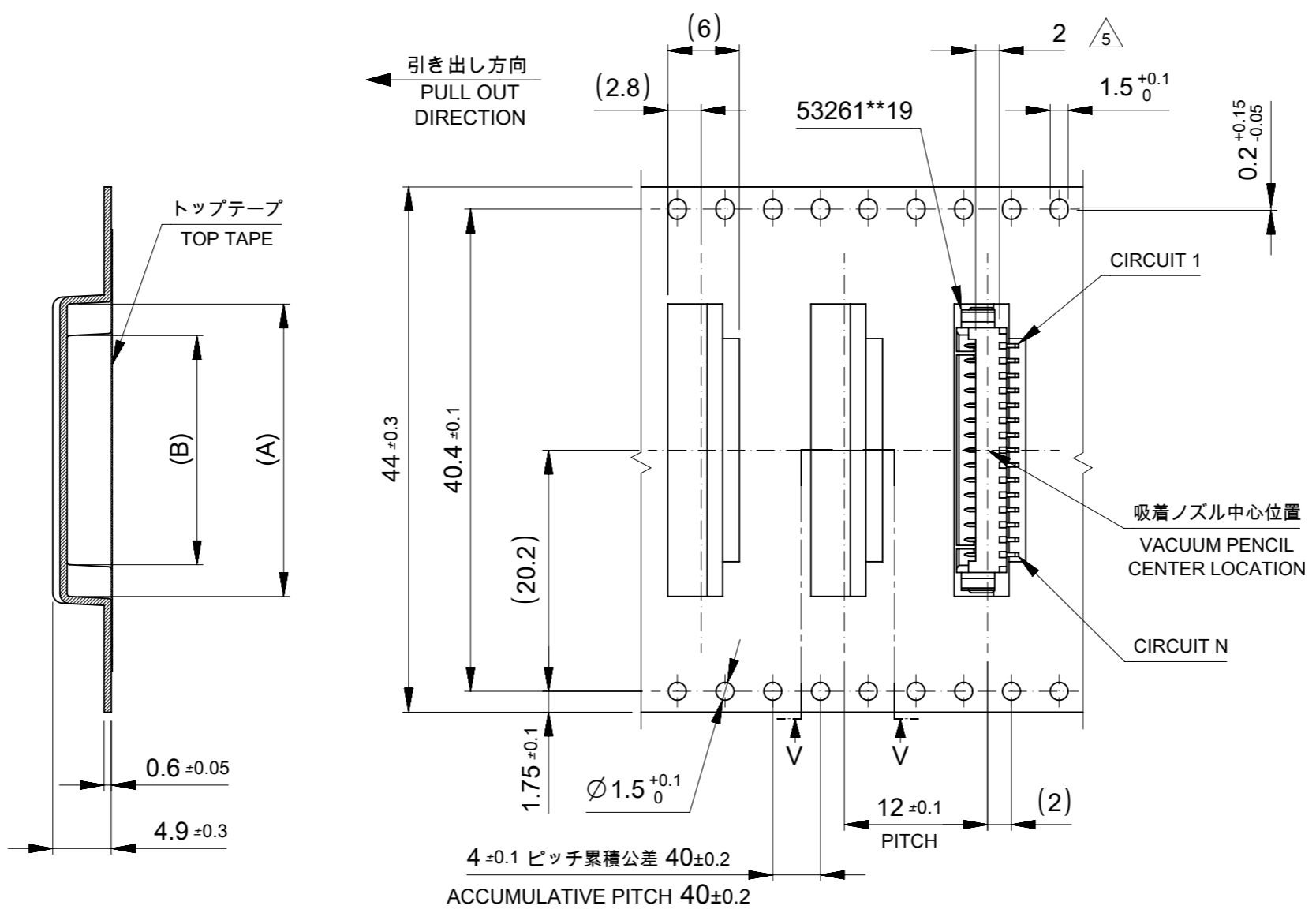
SECTION: X-X

PRE-RELEASE
REFERENCE
USE ONLY

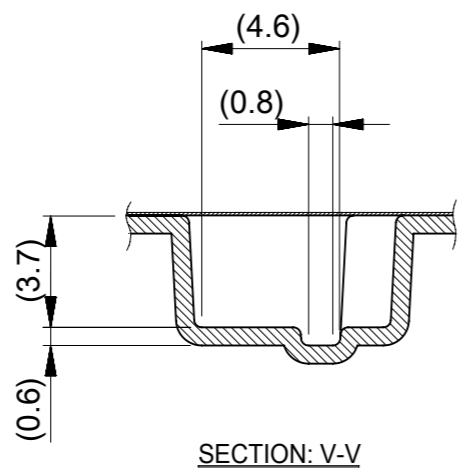
32	37.4	33.4	16.2	22	532611371	13	
			14.95	20.75	532611271	12	
			13.7	19.5	532611171	11	
24	29.4	25.4	12.45	18.25	532611071	10	
			11.2	17	532610971	9	
			9.95	15.75	532610871	8	
			8.7	14.5	532610771	7	
			7.45	13.25	532610671	6	
			6.2	12	532610571	5	
			4.95	10.75	532610471	4	
キャリアテープ幅 CARRIER TAPE WIDTH		D	C	B	A	EMBOSSED TAPE PACKAGE オーダー番号 ORDER NO.	極数 CIRCUIT

THIS DRAWING CONTAINS INFORMATION THAT IS PROPRIETARY TO MOLEX ELECTRONIC TECHNOLOGIES, LLC AND SHOULD NOT BE USED WITHOUT WRITTEN PERMISSION		CURRENT REV DESC:		molex			
DIMENSION UNITS	SCALE	EC NO: 626512					
mm	NTS	DRWN: SOBARA01 2019/10/29		PRODUCT CUSTOMER DRAWING			
GENERAL TOLERANCES (UNLESS SPECIFIED)		CHK'D: KOMURAKAMI 2019/10/30		DOCUMENT NUMBER			
ANGULAR TOL ± 3.0°		APPR: AIDA 2019/10/30		SD-53261-023		DOC TYPE	DOC PART
4 PLACES ± 0.2		INITIAL REVISION:		PSD		001	REVISION
3 PLACES ± 0.2		DRWN: HSHIMABUKURO 2004/02/20		F			
2 PLACES ± 0.2		APPR: MSASAO 2004/02/20					
1 PLACE ± 0.2		DRAFT WHERE APPLICABLE MUST REMAIN WITHIN DIMENSIONS					
0 PLACES ± 0.2		THIRD ANGLE PROJECTION	DRAWING	SERIES	MATERIAL NUMBER	CUSTOMER	SHEET NUMBER
			A3-SIZE	53261	SEE CHART	GENERAL MARKET	2 OF 4

DOCUMENT STATUS	RELEASE DATE
-----------------	--------------



44mm幅キャリアテープ
44mm WIDTH CARRIER TAPE



PRE-RELEASE
REFERENCE
USE ONLY

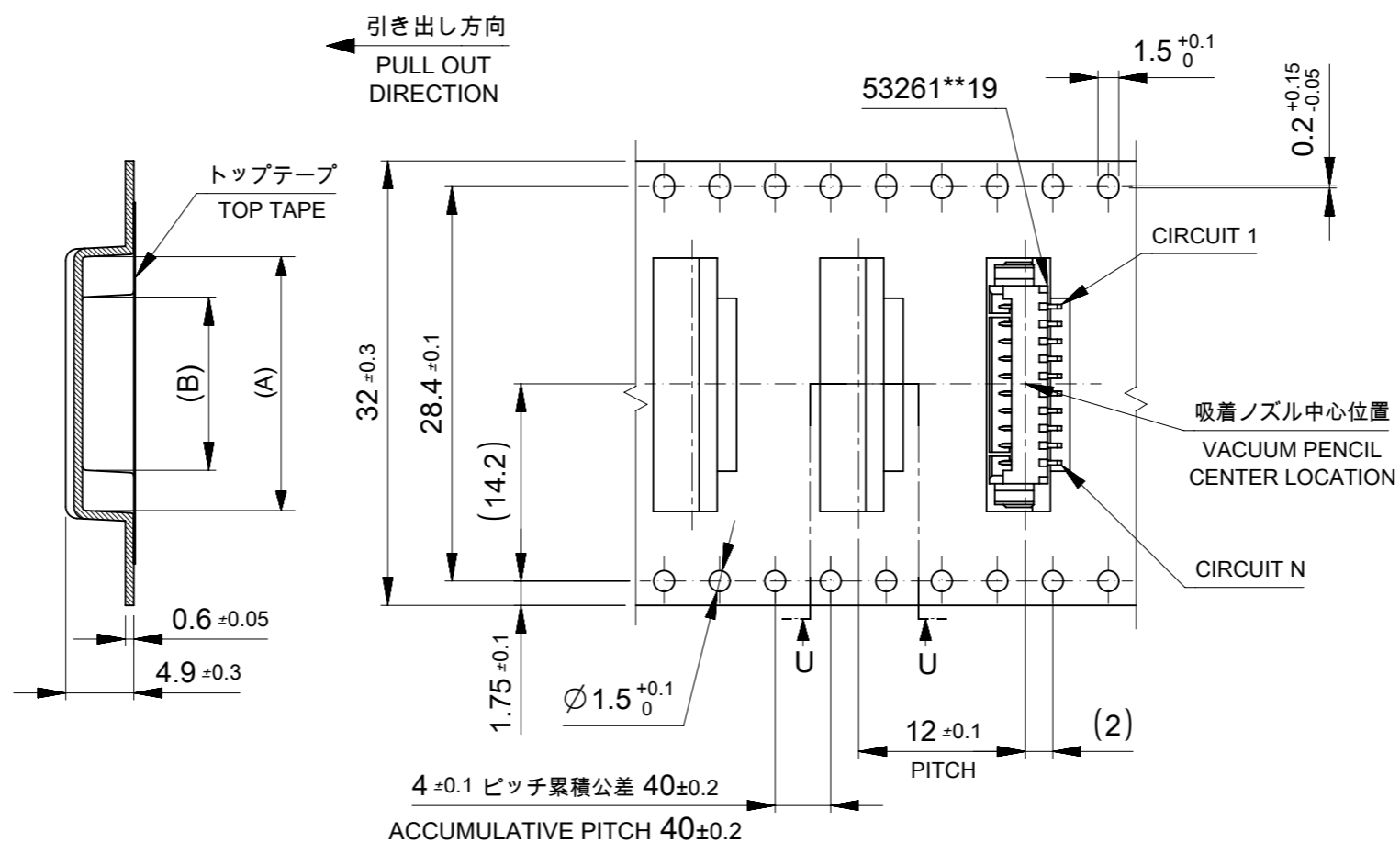
44	49.4	45.4	21.2	27	532611771	17	
			18.7	24.5	532611571	15	
			17.45	23.25	532611471	14	
キャリアテープ幅 CARRIER TAPE WIDTH		D	C	B	A	EMBOSSED TAPE PACKAGE	極数 CIRCUIT
オーダー番号 ORDER NO.						CIRCUIT	

THIS DRAWING CONTAINS INFORMATION THAT IS PROPRIETARY TO MOLEX ELECTRONIC TECHNOLOGIES, LLC AND SHOULD NOT BE USED WITHOUT WRITTEN PERMISSION

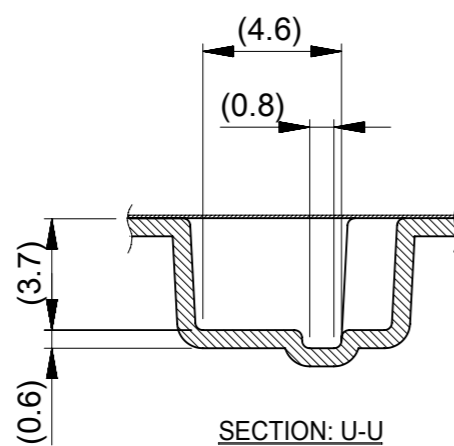
DIMENSION UNITS	SCALE	CURRENT REV DESC:		molex		
mm	NTS					
GENERAL TOLERANCES (UNLESS SPECIFIED)				PICOBLADE 1.25 W/B CONN. SMT R/A EMBOSSED TAPE PACKAGE		
ANGULAR TOL	± 3.0 °	EC NO: 626512		PRODUCT CUSTOMER DRAWING		
4 PLACES	± 0.2	DRWN: SOBARA01 2019/10/29		DOCUMENT NUMBER		
3 PLACES	± 0.2	CHK'D: KOMURAKAMI 2019/10/30		SD-53261-023		
2 PLACES	± 0.2	APPR: AIDA 2019/10/30		DOC TYPE		
1 PLACE	± 0.2	INITIAL REVISION:		PSD		
0 PLACES	± 0.2	DRWN: HSHIMABUKURO 2004/02/20		DOC PART		
DRAFT WHERE APPLICABLE MUST REMAIN WITHIN DIMENSIONS		APPR: MSASAO 2004/02/20		001		
THIRD ANGLE PROJECTION		DRAWING		REVISION		
A3-SIZE		SERIES		F		
MATERIAL NUMBER		CUSTOMER		SHEET NUMBER		
SEE CHART		GENERAL MARKET		3 OF 4		

DOCUMENT STATUS	RELEASE DATE
-----------------	--------------

532611071
 韓国生産分に適用
 APPLIES TO PRODUCT
 PRODUCED BY MXK



32mm幅キャリアテープ
 32mm WIDTH CARRIER TAPE

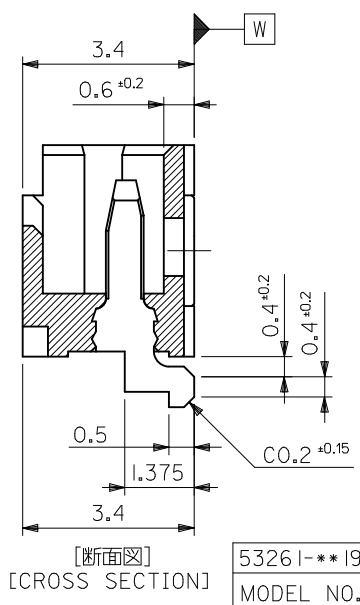
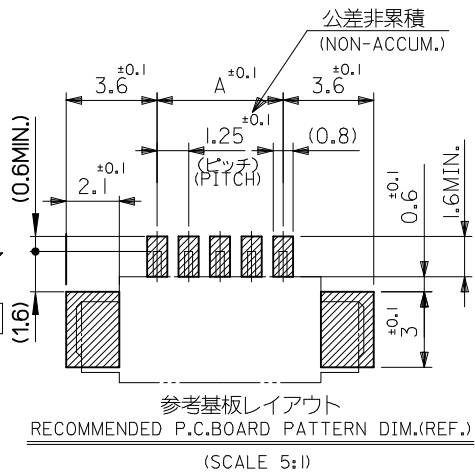
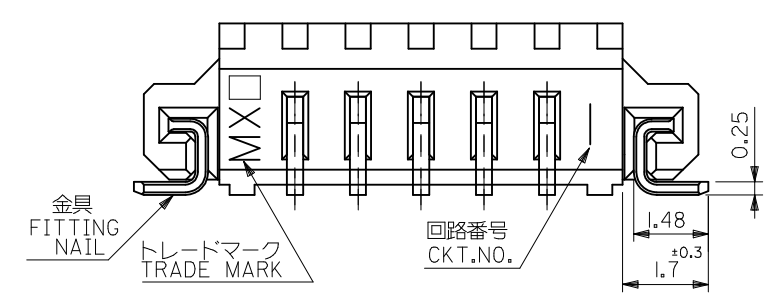
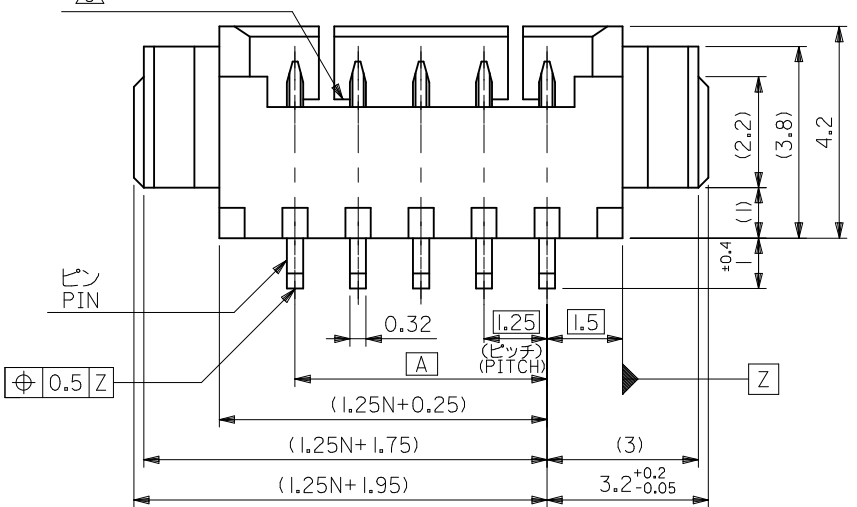
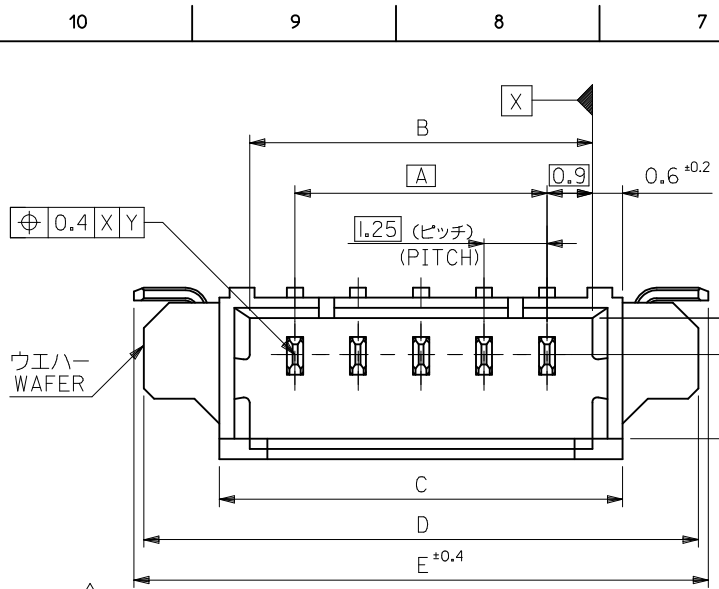


PRE-RELEASE
 REFERENCE
 USE ONLY

32	37.4	33.4	12.45	18.25	532611071	10
キャリアテープ幅 CARRIER TAPE WIDTH	D	C	B	A	EMBOSSED TAPE PACKAGE	極数 CIRCUIT
					オーダー番号 ORDER NO.	

THIS DRAWING CONTAINS INFORMATION THAT IS PROPRIETARY TO MOLEX ELECTRONIC TECHNOLOGIES, LLC AND SHOULD NOT BE USED WITHOUT WRITTEN PERMISSION		CURRENT REV DESC:		molex				
DIMENSION UNITS	SCALE	EC NO: 626512						PICOBLADE 1.25 W/B CONN. SMT R/A EMBOSSED TAPE PACKAGE
mm	NTS	DRWN: SOBARA01 2019/10/29		PRODUCT CUSTOMER DRAWING				
GENERAL TOLERANCES (UNLESS SPECIFIED)		CHK'D: KOMURAKAMI 2019/10/30		DOCUMENT NUMBER		DOC TYPE	DOC PART	REVISION
ANGULAR TOL	± 3.0 °	APPR: AIDA 2019/10/30		SD-53261-023		PSD	001	F
4 PLACES	± 0.2	INITIAL REVISION:		MATERIAL NUMBER		CUSTOMER		SHEET NUMBER
3 PLACES	± 0.2	DRWN: HSHIMABUKURO 2004/02/20		SEE CHART		GENERAL MARKET		4 OF 4
2 PLACES	± 0.2	APPR: MSASAO 2004/02/20		SERIES		DRAWING		
1 PLACE	± 0.2	DRAFT WHERE APPLICABLE MUST REMAIN WITHIN DIMENSIONS		A3-SIZE		THIRD ANGLE PROJECTION		
0 PLACES	± 0.2			53261				

DOCUMENT STATUS	RELEASE DATE
-----------------	--------------



注記 NOTES

- 嵌合相手: 51021 シリーズ
MATES WITH: 51021 SERIES
- 材質 MATERIAL
ウエハー: NYLON46, UL94V-0
ピン: リン青銅
: PHOS-BRO
: 銅メッキ 1.0 マイクロメートル以上
: TIN 1.0 MICROMETER MINIMUM
: ニッケル下地 1.0 マイクロメートル以上
: NICKEL (UNDER PLATING) 1.0 MICROMETER MINIMUM
金具
FITTING NAIL: リン青銅
: PHOS-BRO
: 銅メッキ 1.0 マイクロメートル以上
: TIN 1.0 MICROMETER MINIMUM
: ニッケル下地 1.0 マイクロメートル以上
: NICKEL (UNDER PLATING) 1.0 MICROMETER MINIMUM
- ロック窓は2, 3極は1箇所, 4極以上は2箇所とする。
LOCKING WINDOW: ONE PLACE FOR 2 AND 3 CKT. AND TWO PLACES FOR MORE THAN 3 CKT.
- ソリダール部のスレ量及び金具(補強板)のスレ量は基準面 W に対し、上方向 0.05MAX.、下方向に 0.1 MAX. とする。
OFFSET BETWEEN BASIS PLANE W TO SOLDER TAIL BOTTOM AND FITTING NAIL BOTTOM:
UPPER SIDE: 0.05MAX.
LOWER SIDE: 0.1MAX.
- 本製品は 53261-**-10 の鉛フリー品である。
THIS PRODUCT IS LEAD FREE OF 53261-**10
- ELV及びRoHS適合品
ELV AND RoHS COMPLIANT.
- ソルダーテール及び金具の平坦度は0.1以下。
SOLDER TAIL & FITTING NAIL COPLANARITY TO BE 0.1 MAX.

26.4	26	23	21.8	20	53261-1771	53261-1719	17	
23.9	23.5	20.5	19.3	17.5	-1571	-1519	15	
22.65	22.25	19.25	18.05	16.25	-1471	-1419	14	
21.4	21	18	16.8	15	-1371	-1319	13	
20.15	19.75	16.75	15.55	13.75	-1271	-1219	12	
18.9	18.5	15.5	14.3	12.5	-1171	-1119	11	
17.65	17.25	14.25	13.05	11.25	-1071	-1019	10	
16.4	16	13	11.8	10	-0971	-0919	9	
15.15	14.75	11.75	10.55	8.75	-0871	-0819	8	
13.9	13.5	10.5	9.3	7.5	-0771	-0719	7	
12.65	12.25	9.25	8.05	6.25	-0671	-0619	6	
11.4	11	8	6.8	5	-0571	-0519	5	
10.15	9.75	6.75	5.55	3.75	-0471	-0419	4	
8.9	8.5	5.5	4.3	2.5	-0371	-0319	3	
53261-**-19	7.65	7.25	4.25	3.05	1.25	53261-0271	53261-0219	2
MODEL NO.	E	D	C	B	A	EMBOSSED TAPE PKG ORDER No.	MATERIAL NO.	極数 CKT.

REVISED EC NO: J2016-1122 DRWN: QHEJ1 CHKD: SAKIYAMA APPR: IKANEKO	GENERAL TOLERANCES (UNLESS SPECIFIED)		DIMENSION STYLE		SCALE	DESIGN UNITS		THIRD ANGLE PROJECTION
	0.25 UNDER UNDER ±0.03		MM ONLY		10:1	METRIC		
	0.25 OVER 0.5 UNDER ±0.05		DRAWN BY DATE TITLE		1.25 WIRE TO BOARD WAFER ASS FOR SMT			
	0.5 OVER 1.0 UNDER ±0.1		HS HIMABU 04/02/06		molex			
DESCRIPTION REV	1.0 OVER 10 UNDER ±0.2		CHECKED BY DATE		DOCUMENT NO.			SHEET NO.
	10 OVER 30 UNDER ±0.25		KTOJO 04/02/06		SD-53261-024			
	30 OVER ±0.3		APPROVED BY DATE		SEE CHART			
	ANGULAR ±3 °		MSASAO 04/02/06		THIS DRAWING CONTAINS INFORMATION THAT IS PROPRIETARY TO MOLEX ELECTRONIC TECHNOLOGIES, LLC AND SHOULD NOT BE USED WITHOUT WRITTEN PERMISSION			
DRAFT WHERE APPLICABLE MUST REMAIN WITHIN DIMENSIONS				SIZE				
				A3				