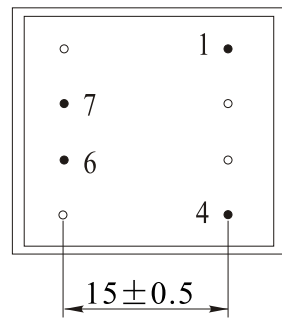
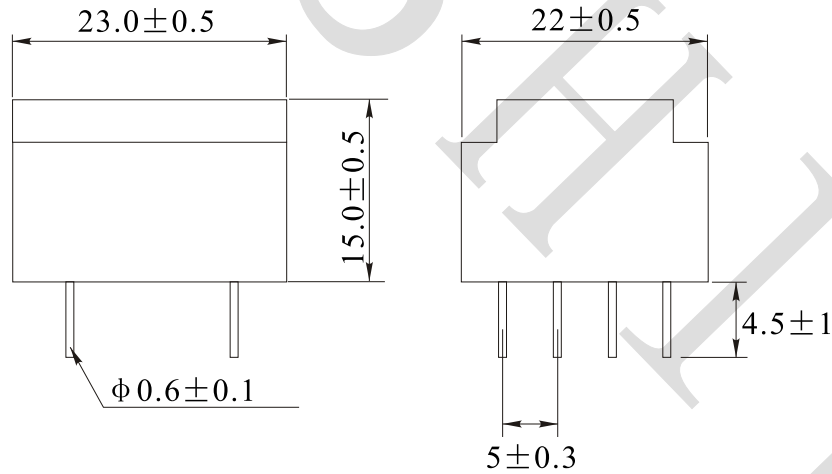


Rev.	Description	Date
A0	New release	2022.09.06

1. PHYSICAL CHARACTERISTICS (mm)

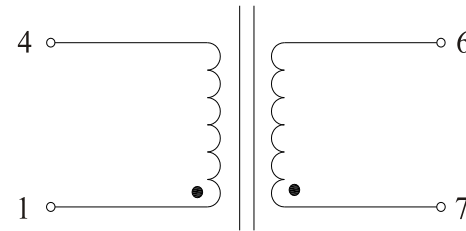


Bottom view

Top marking

1	SHINHOM	7
	AC230V 50/60Hz	
	PE200603	
	ta: 70°C 0.35VA	6
4	12V,29mA	

2. ELECTRONICAL SCHEMATIC



3. ELECTRONICAL SPECIFICATIONS

Pri voltage: 230V,50Hz-60Hz

Sec load voltage: 12.0V±0.5V@29mA

Noload voltage: 21.9V±0.5V

Output Power: 0.35VA

Hi-Pot: 3500V,50Hz,1mA,10S Pri to Sec

Note:

- Solderability: leads shall meet MIL-STD-202, Method 208D for solderability.
- Flammability: UL94V-0
- ASTM oxygen index: >28%

NOTES:

Temp 20°C 48%RH
RoHS Compliant

NAME:	Power Transformer		
CUSTOMER P/N:		DATE:	2022-09-06
SHINHOM P/N:	PE200603	REV: A0	PAGE
DRAWN BY	CHECKED BY	APPROVE BY	



SHINHOM

SHAANXISHINHOM ENTERPRISE CO LTD

The Document property belong to SHINHOM & is not allowed to be duplicated without authorization