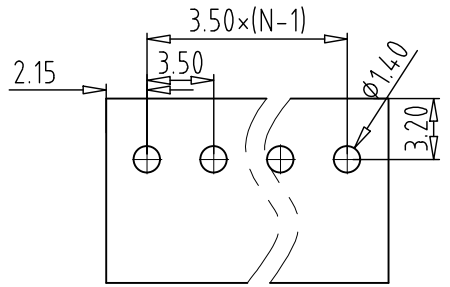
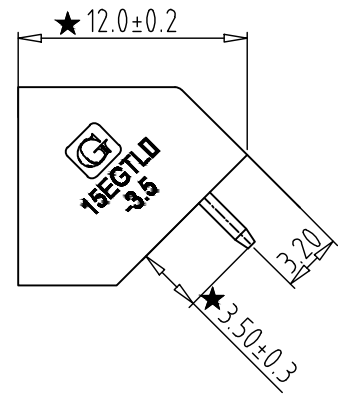
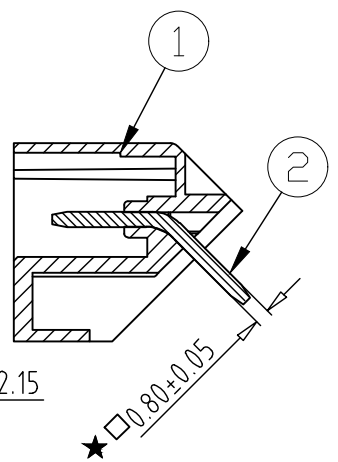
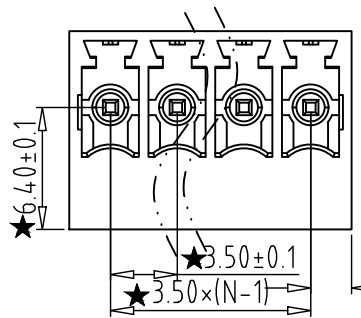
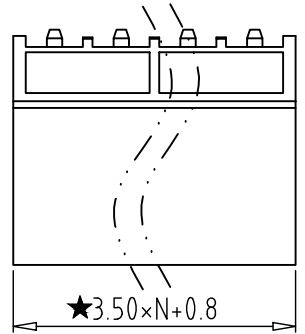


REV	CONTENT	CHK	DATE
VO.0	CONTENT	YL	23.07.28
VO.1	修正出脚尺寸	YL	23.09.16

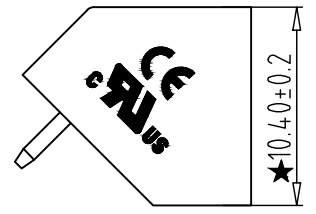


PCB LAYOUT



Electrical :

- 1. Rated Voltage : UL 300V IEC 250V
- 2. Rated Current : 8A 12A
- 3. Withstanding Voltage : AC1600V/1Min;
- 4. Operating Temperature : -40°C~+105°C;
- 5. RoHS Compliance;
- 6. "★" is the key quality control point.



15EGTLC	- 3.5	-XXP	- X X	- 00
①	②	③	④	⑤
① Series NO.	② Pitch	③ Poles	④ 1 Single Pitch 2 Double Pitch	⑤ Color: 1 Grey 2 Blue 3 Black 4 Green 5 Orange 6 Red 7 Transparent 8 Yellow 9 White

⑥ Customer Request: 00--Standard

Total Pitch Tolerances in mm										Nominal dimension range in mm										⊥	=	-	//	
over	over	over	over	over	over	over	over	over	over	over	over	over	over	over	over	over	over	over	over	0	10	0	100	over
to	to	to	to	to	to	to	to	to	to	to	to	to	to	to	to	to	to	to	to	to	to	to	to	150
0	30	53	70	90	115	150	250	350	500	0	30	53	70	90	115	150	200	250	320	0	100	0	100	0.5
±0.18	±0.20	±0.25	±0.3	±0.35	±0.44	±0.60	±0.70	±0.85	±0.20	±0.25	±0.30	±0.35	±0.44	±0.55	±0.70	±0.80	±0.90	0.2	0.3	0.3	0.2	0.3	0.5	

2	PIN HEADER	XX	P	Copper Alloy	Tin plated
1	HOUSING	XX	1	PA66 UL94V-0	SEE NOTE
ITEM	NAME OF PART	NO. OF PART	Q'TY	MATERIAL	NOTE
DWG.	YL	DATE	23.07.28	SIZE	A4 UNITS mm SHEET/OF 1 / 1
CHK.	DATE			SCALE	1:1
APP.	DATE			NAME	15EGTLC-3.5-XXP-XX-00
Grolten 宁波冠泰电子有限公司 NINGBO GOLTEN ELECTRONICS CO., LTD.				DWGNO.	XXXX