

High - output Piezo Alarm Transducer



• **W-07**



• **W-07A**



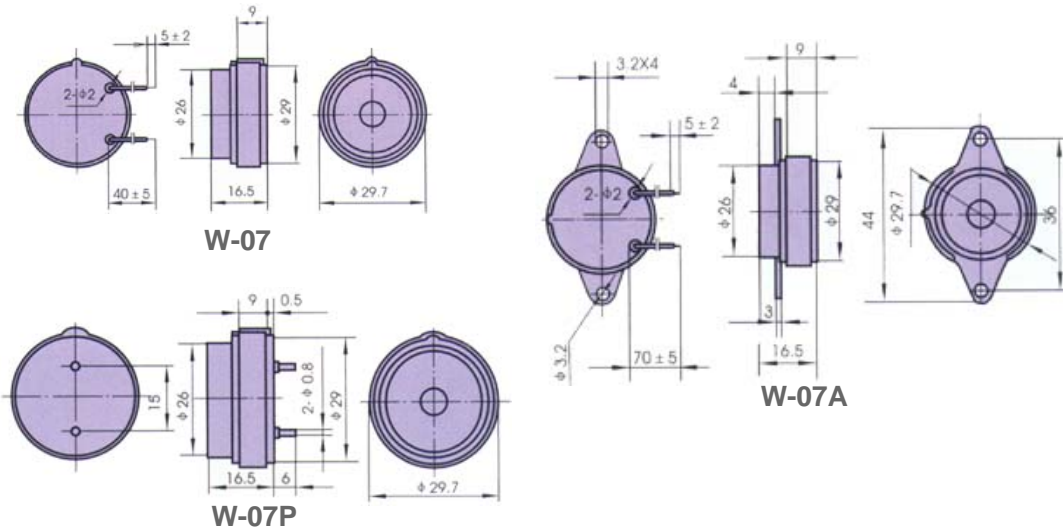
• **W-07P**



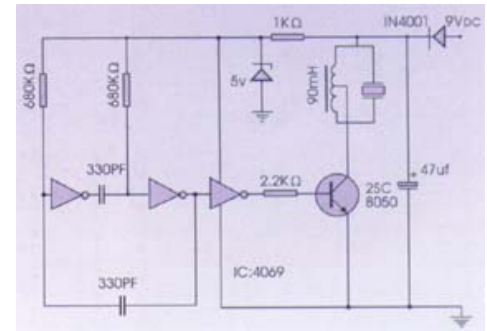
FEATURES:

- High output
- High reliability

DIMENSIONS: (Unit: mm)



TEST CIRCUIT: (W-07 07A 07P)



ELECTRICAL SPECIFICATIONS :

Model No.	W-07(07A, 07P)
Min. Sound Pressure Level (dB)	100 /9V _{DC} /30cm
Rated Voltage (V _{DC})	9
Capacitance at 1000Hz(nF)	25 ± 30%
Max. Consumption (mA)	180 /9V _{DC}
Resonant Frequency (kHz)	3.2 ± 0.5
Tone Nature	Continuous
Operating Temperature (°C)	-20 ~ +70
Weight (g)	8
Case Material/Colour	See note

PACKING INFORMATION :

Model No.	W-07(A)	W-07P
Packing :	2340	1260 pcs per export carton
Carton Size :	46 X 30.5 X 21 cm	47 X 30.5 X 33 cm
G. Weight :	14 kgs	8.2 kgs
N. Weight :	12 kgs	6.5 kgs

Note: W-07 ABS/Black, W-07A ABS/White, W-07P PC/Black