

## Data sheet

Commercial Art.No.: 96.052.4053.0

Connector RST20i5 S1 ZR1 V GL

RST20i5 connector, 5 pole, male, screw connection, application 250/400V with PE, 20A, for cable diameters 6-10mm, coding color light grey, color of housing light grey



Commercial Art.No.	96.052.4053.0
EAN	4015573862111
Order Unit	1

Certificates / Approvals



LR

RINA



## Technical data

### General

Rated current	20 A
Rated voltage	250 V / 400 V
Rated impulse voltage	4 kV
strain relief	yes
Pollution degree	3
Lockable	self-locking (unlocking by tool)
Color of coding/ contact carrier	light grey
Marking of poles	1, 2, 3, N, PE
Color of housing inclusive strain relief	light grey

### Connection Data

Cable diameter max.	10 mm
Cable diameter min.	6 mm
Connection cross section solid mm <sup>2</sup> max.	4 mm <sup>2</sup>
Connection cross section solid mm <sup>2</sup> min.	0.75 mm <sup>2</sup>
Connection cross section solid AWG min.	18 AWG
Connection cross section solid AWG max.	14 AWG
Connection cross section fine stranded mm <sup>2</sup> max.	4 mm <sup>2</sup>
Connection cross section fine stranded mm <sup>2</sup> min.	0.75 mm <sup>2</sup>
Terminations per pole	1
Connection cross section stranded mm <sup>2</sup> min.	0.75 mm <sup>2</sup>
Connection cross section stranded mm <sup>2</sup> max.	4 mm <sup>2</sup>
Connection cross section stranded AWG min.	18 AWG
Connection cross section stranded AWG max.	14 AWG
sheath strip length	26.5 mm

Wire strip length	8 mm
-------------------	------

#### Model

Model	male
Connection type	screw connection
Degree of protection (IP)	IP66/68 (3m;2h) /IP69

#### Material

Housing material	Polyamide
halogen free	yes
Contact material	CuZn
Fire load	0.285 kWh
Insulation components continuous temperature	100 °C
Surface finish	Silver-plated

#### Dimensions

Length	78.4 mm
Width	34.6 mm
Height	34.6 mm

#### Classification

ECLASS 11	
ECLASS 8.1	27440605
ETIM 7.0	EC002560
ETIM 6.0	EC002560
ETIM 5.0	EC002560
ETIM 4.0	EC002560

#### Note

Note	RST® terminals with screw clamping allow the connection of conductors without special preparation (without ferrules) according to EN 60999-1.
------	---

#### Product compliance

ROHS conformity status	Compliant/Exempted
ROHS exceptions	III-6(c)
REACH-SVHC conformity status	Duty-To-Declare
REACH-SVHC substances	Lead
REACH-SVHC CAS numbers	7439-92-1

#### Accessories

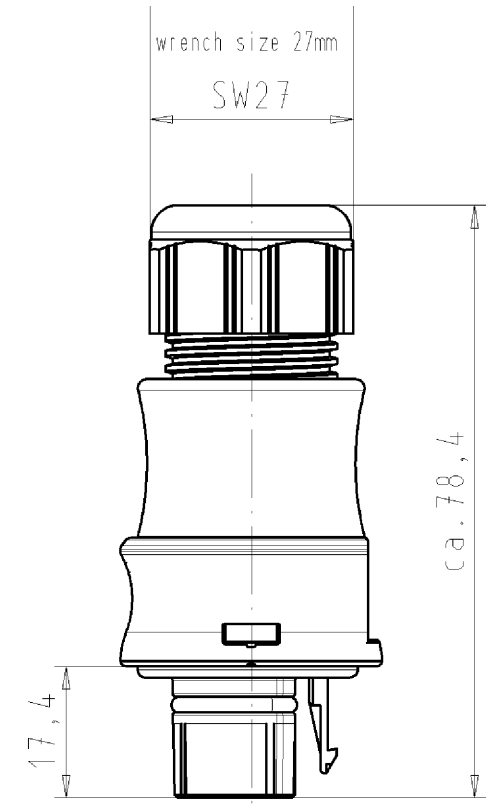
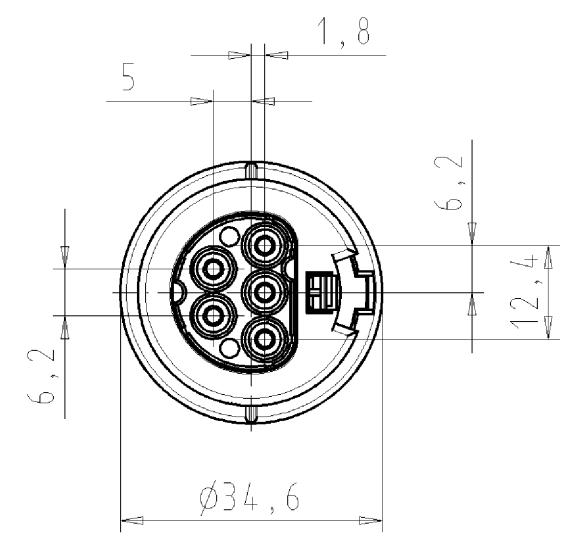
Commercial Art.No.:	Article-type description:	Description:
05.565.9953.0	Cover for male connector GL	RST20i5/4 cover piece, for covering unused male connectors, color light grey
99.531.0000.7	Cover for male connector GL	RST20i5/4 cover piece, for covering unused male connectors, with fastening belt, color light grey

## Fits with

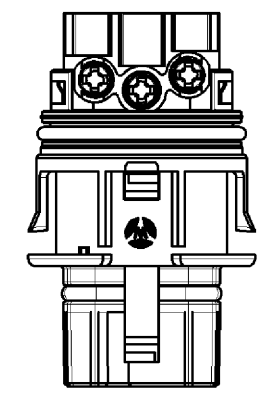
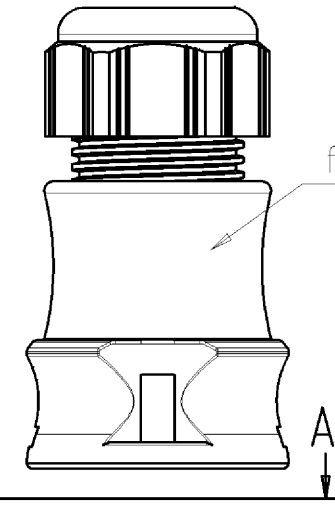
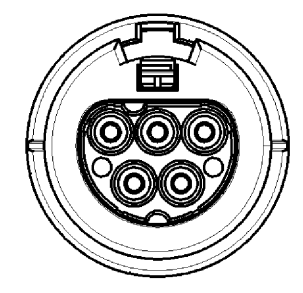
Commercial Art.No.:	Article-type description:	Description:
96.050.0153.0	Distributor RST20I5B 3P1 F G GL	RST20i5 compact distribution unit, 5 pole, application 250/400V with PE, 20A, 1 input and 3 outputs, with fastening option, coding color light grey, color of housing light grey
96.051.4053.0	Connector RST20I5S B1 ZR1 GL	RST20i5 connector, 5 pole, female, screw connection, application 250/400V with PE, 20A, for cable diameters 6-10mm, coding color light grey, color of housing light grey
96.053.4053.0	Connector RST20I5S B1 YR1 GL	RST20i5 connector (90° angled), 5 pole, female, screw connection, application 250/400V with PE, 20A, for cable diameters 6-10mm, coding color light grey, color of housing light grey
96.051.5053.0	Device connector RST20I5S B1 M01 GL	RST20i5 device connector M25, 5 pole, female, screw connection, application 250/400V with PE, 20A, coding color light grey
96.051.6153.0	Device connector RST20I5S B1 M03 GL	RST20i5 device connector M16, 5 pole, female, screw connection, modular, application 250/400V with PE, 20A, coding color light grey, color of housing light grey
96.051.6053.0	Device connector RST20I5S B1 M00 GL	RST20i5 device connector M20, 5 pole, female, screw connection, modular, application 250/400V with PE, 20A, coding color light grey, color of housing light grey
96.053.6053.0	Device connector RST20I5S B1 M90 GL	RST20i5 device connector (90° angled) M20, 5 pole, female, screw connection, modular, application 250/400V with PE, 20A, coding color light grey, color of housing light grey
96.053.6253.0	Device connector RST20I5S B1 M91 GL	RST20i5 device connector (90° angled) M25, 5 pole, female, screw connection, modular, application 250/400V with PE, 20A, coding color light grey, color of housing light grey
96.055.6153.0	Device connector RST20I5S B1 M13 GL	RST20i5 device connector (7° angled) M16, 5 pole, female, screw connection, modular, application 250/400V with PE, 20A, coding color light grey, color of housing light grey

These dimensions will be especially checked at delivery  
Only inspection dimensions  
With ±E marked dimensions are only valid for internal use

Diese Maße werden bei Abnahme besonders geprüft  
Ausschließlich Prüfmaße  
Mit ±E gekennzeichnete Maße sind nur für interne Zwecke gültig



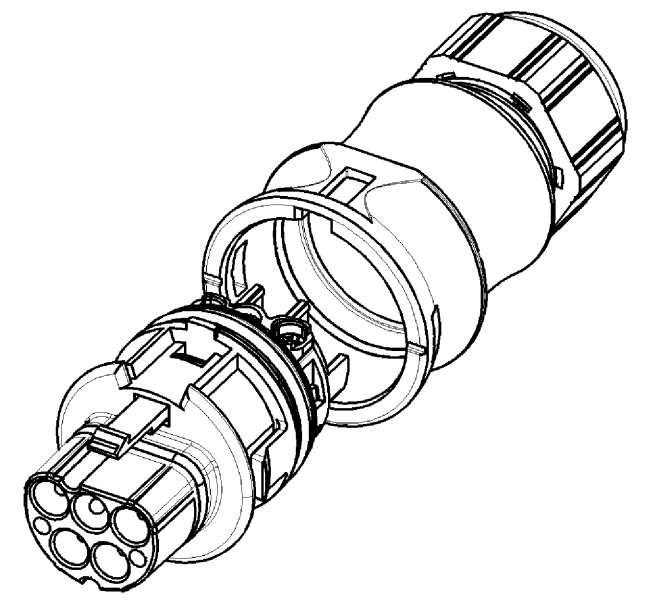
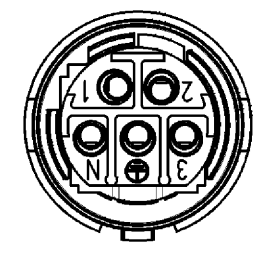
### Auslieferungszustand delivery status



for cable diameter 6-10mm  
für Kabeldurchm. 6-10mm

Verpackungseinheit: je 100 Stück  
packaging unit: per 100

A-A



Weitergabe sowie Vervielfältigung dieses Dokuments, Verwertung und Mitteilung seines Inhalts sind verboten, soweit nicht ausdrücklich gestattet.  
The reproduction, distribution and utilization of this document as well as the communication of its contents to others without express authorization is prohibited.

Teile-Nr./ part-nr.	Farbe:/ color:	Type
96.052.4053.1	schwarz, ähnl. RAL 9005/ black, similar to RAL 9005	RST2015S S1 ZR1 V SW
96.052.4053.0	lichtgrau, ähnl. RAL 7035/ lightgrey, similar to RAL 7035	RST2015S S1 ZR1 V GL

Tolerierung nach DIN 7167/Tolerance system acc. to DIN 7167. (This DIN-standard describes the envelope principle. According to the envelope principle the deviations of form and parallelism are limited by the size tolerances).		nein/no <input checked="" type="checkbox"/> Stoffverbots- und Deklarationsliste nach UU-TQM-05/03 ist einzuhalten. Conformity with Wieland document UU-TQM-05/03 (list of prohibited / declarable hazardous substances) to be declared!	
Freitoleranz nach General tolerance	CAD - Zeichnung, keine manuellen Änderungen CAD - drawing, no manual modifications allowed	1. Verwendung: First Use:	Blatt: 1 von 1 Sheet: of 1
Zeichnung Nr./Drawing No.	Index	Maße in mm/Dimensions are in mm	
2005 gezeichnet drawn	Tag/Date	Name	
24.08.	Kneitz	T	96.052.4053.0 01K a
geprüft checked	-	-	
Normgepr. Stand. check	-	-	
Vol.	mm <sup>3</sup> Ofl./Surf.	mm <sup>2</sup>	Ersatz für/Replacement for: -
a	02.12.2005/ Datum / Blatt Date / Sheet	wieland	
Änderung/Revision		Elektrische Verbindungen	Benennung/Title STECKERTEIL MIT ZUGENTLASTUNG male connector with cord grip Schraubenschluß ohne Drahtschutz/screw-connection without wire protection Standardkodierung 0/standard-keying 0 (250V/400V/20A)
		siehe Tabelle	