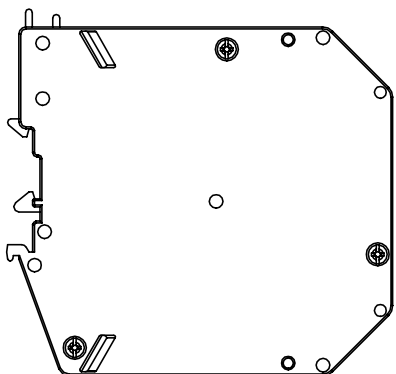
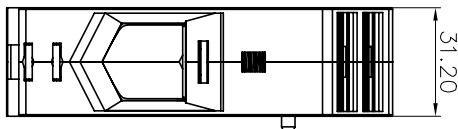
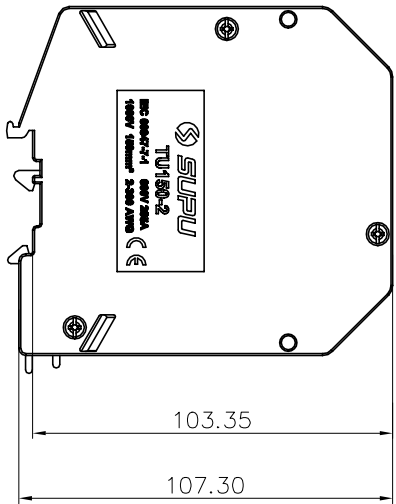
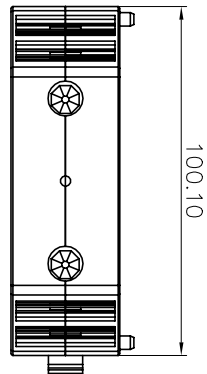


REVISION RECORD			
REV	ECN	DESCRIPTION	DATE



Connection method:  
 1.For solid wire, peeling wire in right length, fix in by rated torque force.  
 2.For stranded wire,connect directly after peeling in right length,or ferruled on wire and fix in by rated torque force.  
 (Attention: torque force should be equable, no explosive power.)

Transmittal, reproduction, dissemination and/or editing of this document as well as utilization of its contents and communication thereof to others without express authorization are prohibited.

未经允许禁止传输、复制、编辑该文档，以及利用其内容进行交流

Use group	B	C	D
Rated voltage(V)	600	600	600
Rated current(A)	285	285	285

NOTES:  
 UL/CUL Standard  
 1.Conductor cross section : 2-300AWG  
 2.Rated torque : M10 , 221.38 Lb. in  
 3.Rated Voltage/Current :

IEC Standard	
1. Conductor cross section :	
Wire range(Solid/Stranded)	35-150mm <sup>2</sup> 35-150mm <sup>2</sup>
Stranded	50-150mm <sup>2</sup>
Stranded with ferrules without plastic sleeve	50-150mm <sup>2</sup>
Stranded with ferrules with plastic sleeve	50-150mm <sup>2</sup>

2.Rated torque : M10 , 25-30N • m

3.Rated Voltage/Current :

Surge voltage category	III
Pollution degree	3
Rated surge voltage(KV)	8
Rated voltage(V)	1000
Rated current(A)	309

Material:			
Insulator	PA66	UL94 V-0	
Cage	Steel	Zn plated	
Conductor	Copper alloy	Sn plated	
Screw	Steel	Zn plated	

General information:  
 1.Dimension shall be interpreted per ASME Y14.5-2009  
 2.Stripping length : 40mm  
 3.Operating temperature: -40°C~+105°C  
 4.RoHS Compliance  
 5.Undimensioned Tolerances:

Pitch Range	mm	In mm	mm	mm	mm	mm	mm	mm	mm
Over	6	Over	30	Over	60	Over	100	Over	150
To	10	To	30	To	60	To	100	To	150
	10		30		60		100		150
	24		30		60		100		150
	±0.15		±0.30		±0.50		±0.70		±1.00
	±0.20		±0.30		±0.50		±0.70		±1.00
									±2°

HOW TO ORDER:  
 TU150-2-XX

Sereies No. Color:  
 GY: Grey  
 BU: Blue  
 OG: Orange

订货号	TU150-2-XX	名称	TU系列150mm <sup>2</sup> 螺钉一进一出接线端子	公差	未注公差	表面	VDI21
项目	设计	图号	PRM(O)	版本号	Revision Number	重量	Weight
设计	JXY	日期	2022.11.03	物料号	Item No.	比例	Scale
审核		材料		Notes		1:1	
工艺		Material					
Process							
标准化							
Unity							
批准							
Approve							

第1页/共1页 1 of 1  
**SUPU 宁波舜普电子有限公司**  
 NINGBO SUPU ELECTRONICS CO.,LTD.