

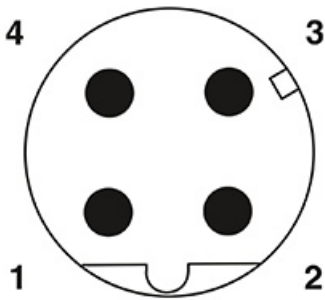
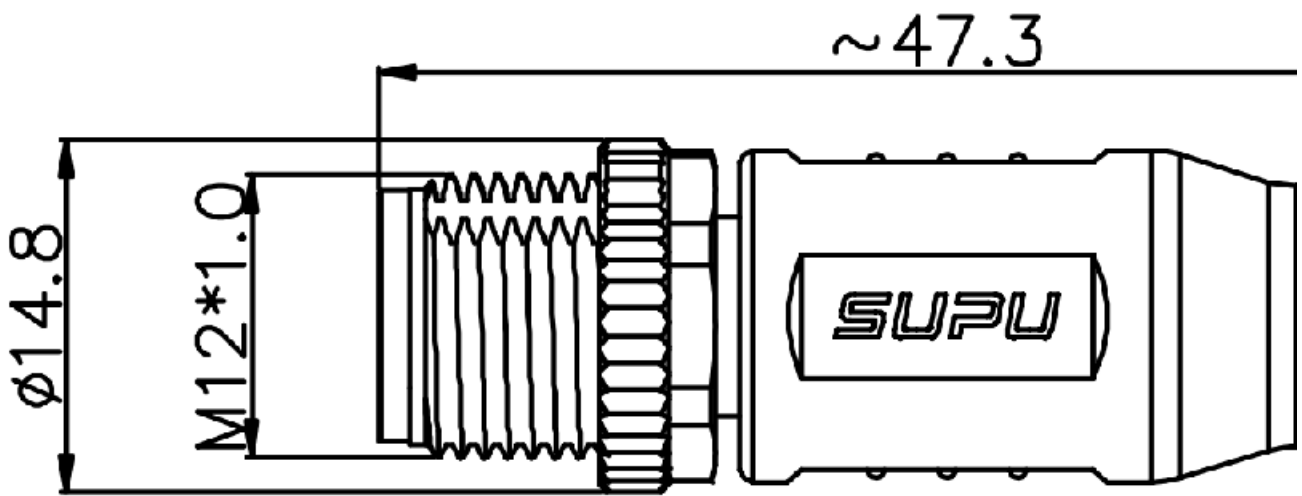


Category: 预铸式连接器/Plug-in terminal-plug

Product name: 预铸式M12D04Z-MMSST-UC001B

Product Description: M12 D-code , 4芯预铸成型式非屏蔽公直头连接器 带有1米长黑色PVC线缆

Product Picture



基本信息 /Basic Information

| | |
|-----------------------------|----------------------|
| 产品型号 SUPU ID | M12D04Z-MMSST-UC001B |
| 接口螺纹规格 Thread type | M12 |
| 产品位数 Number of positions | 4 |

| | |
|------------------------------|----------------|
| 接口编码类型 Coding | D-Coding |
| 防护等级 Degree of protection | IP67 |
| 连接方式 Connection method | 预铸成型式 |
| 产品类型 Type | 针式 直头 |
| 是否屏蔽 Shielding | 否 |
| 机械寿命 Mounting cycle | ≥100 |
| 参照标准 Standards | IEC61076-2-101 |

电气参数 /Electrical properties

| | |
|---|-----------|
| 额定电压 Rated Voltage | 250V DC |
| 额定电流 Rated Current | 4A |
| 绝缘阻抗 Insulation Resistance | ≥100MΩ |
| 接触阻抗 Contact resistance | < 10mΩ |
| 污染等级 Degree of pollution | 3 |
| 工作温度 Ambient temperature (operation) | -40~+85°C |

材料信息 /Material Data

| | |
|-------------------------------------|------------|
| 插针/表面材料 Contact material/plating | CuZn/Ni/Au |
| 插芯材料 Contact carrier material | TPU |
| 螺丝/螺母材料 Screw/nut material | Zinc |
| 密封材料 Sealing material | NBR |

线缆参数 /Cable Data

| | |
|---------------------------------|-----|
| 导线长度 Cable length | 1m |
| 外套保护材料 Outer sheath material | PVC |
| 外套保护颜色 External sheath color | 黑色 |

Ningbo Supu Electronics Co.,Ltd

Address: No. 625, Kandun Town Street, Cixi
City, Zhejiang Province

Zip code: 315303

Switchboard: +86 574-63288158

Fax: +86 574-63288170

E-mail : askme@supu.cn

E-mail : askme@supu.cn

Service Hotline: 400-626-6336



Code

File date : 2024-09-12 17:05

Product Entry : 2023-09-07

The right to modify data belongs to
Supu.