

Data sheet

Commercial Art.No.: 71.452.1637.1

Hood BAS GOM GI16 M25 B1

Hood revos basic metal-series without coating, for single locking lever with threaded hole M25 on the top, low version, 16-poles



| | |
|--------------------|---------------|
| Commercial Art.No. | 71.452.1637.1 |
| EAN | 4049088363245 |
| Order Unit | 1 |

Technical data

General

| | |
|--|----------|
| Housing material | aluminum |
| Color | Grey |
| Surface | Bare |
| Degree of protection (IP) | IP66 |
| UV resistant | yes |
| Inflammability class of insulation material acc. with UL94 | Other |
| Operating temperature range min. | -40 °C |
| Operating temperature range max. | 120 °C |

Model

| | |
|------------------------|----------------------|
| Construction | 16 |
| Locking mechanism | Single locking lever |
| Cable entry | Above |
| Type of cable | Thread |
| With cable screw gland | No |
| Thread size M | 25 |
| Thread size PG | |
| Hinged lid | No |
| EMC-version | No |
| Length | 94 mm |
| Width | 53 mm |
| Height | 60 mm |

Classification

| | |
|------------|----------|
| ECLASS 11 | |
| ECLASS 8.1 | 27440202 |

| | |
|----------|----------|
| ETIM 7.0 | EC000437 |
| ETIM 6.0 | EC000437 |
| ETIM 5.0 | EC000437 |
| ETIM 4.0 | EC000437 |
| ETIM 3.0 | EC000437 |

Fits with

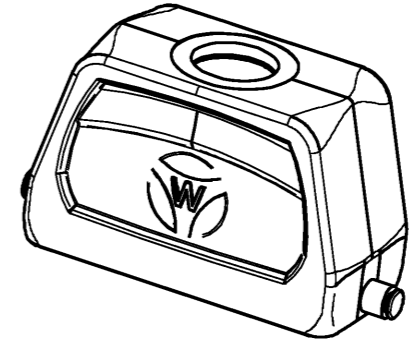
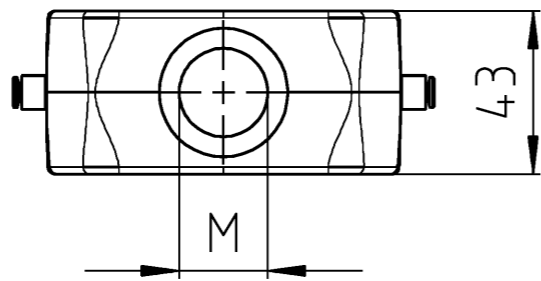
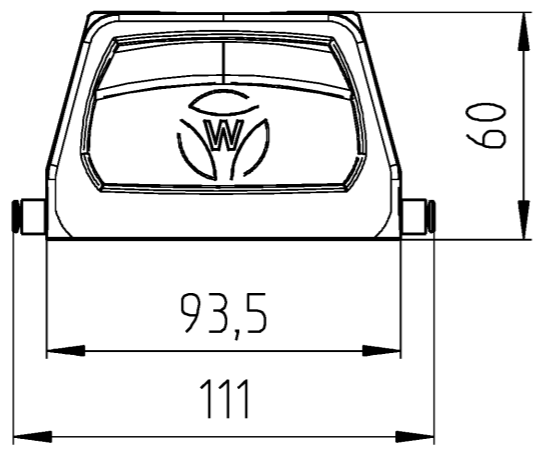
| Commercial Art.No.: | Article-type description: | Description: |
|---------------------|------------------------------------|--|
| 70.300.1602.0 | Female insert BAS BUS 16 2,5 50 AG | Female insert revos basic, 16-poles, rated current: 16A, rated voltage:500V, with silver-plated contacts |
| 70.300.1640.0 | Female insert BAS BUS 16 2,5 50 | Female insert revos basic, 16-poles, rated current: 16A, rated voltage:500V, with tin-plated contacts |
| 70.301.1640.0 | Female insert BAS BUS 16 2,5 50 AU | Female insert revos basic, 16-poles, rated current: 16A, rated voltage:500V, with gold-plated contacts |
| 70.302.1640.0 | Female insert BAS BUS OD 16 2,5 50 | Female insert revos basic, 16-poles, rated current: 16A, rated voltage:500V, with tin-plated contacts |
| 70.310.1602.0 | Male insert BAS STS 16 2,5 50 AG | Male insert revos basic, 16-poles, rated current: 16A, rated voltage: 500V, with silver-plated contacts |
| 70.310.1640.0 | Male insert BAS STS 16 2,5 50 | Male insert revos basic, 16-poles, rated current: 16A, rated voltage: 500V, with tin-plated contacts |
| 70.311.1640.0 | Male insert BAS STS 16 2,5 50 AU | Male insert revos basic, 16-poles, rated current: 16A, rated voltage: 500V, with gold-plated contacts |
| 70.312.1640.0 | Male insert BAS STS OD 16 2,5 50 | Male insert revos basic, 16-poles, rated current: 16A, rated voltage: 500V, with tin-plated contacts |
| 70.500.1653.0 | Female insert BAS BUF 16 2,5 50 | Female insert revos basic, 16-poles, rated current: 16A, rated voltage:500V, with silver-plated contacts |
| 70.510.1653.0 | Male insert BAS STF 16 2,5 50 | Male insert revos basic, 16-poles, rated current: 16A, rated voltage: 500V, with tin-plated contacts |
| 70.700.1658.0 | Female insert BAS BUC 16 50 | Female insert revos basic, 16-poles, rated current: 16A, rated voltage:500V, with tin-plated contacts |
| 70.710.1658.0 | Male insert BAS STC 16 50 | Male insert revos basic, 16-poles, rated current: 16A, rated voltage: 500V, with tin-plated contacts |
| 70.800.3256.0 | Female insert BAS BUCK 32 50 PC | Female insert revos basic, 32-poles, polycarbonate insert, rated current: 16A, rated voltage: 500V, with gold-plated or silver-plated contacts |
| 70.810.3256.0 | Male insert BAS STCK 32 50 PC | Male insert revos basic, 32-poles, polycarbonate insert, rated current: 16A, rated voltage: 500V, with gold-plated or silver-plated contacts |
| 70.400.0640.0 | Female insert BAS BUS 6 2,5 64 | Female insert revos basic, 6-poles, rated current: 16A, rated voltage: 690V, with tin-plated contacts |
| 70.410.0640.0 | Male insert BAS STS 6 2,5 64 | Male insert revos basic, 6-poles, rated current: 16A, rated voltage: 690V, with tin-plated contacts |
| 72.300.1653.0 | Female insert BAS BUS 16 2,5 69 | Female insert revos basic, 16-poles, rated current: 16A, rated voltage:690V, with tin-plated contacts |
| 72.310.1653.0 | Male insert BAS STS 16 2,5 69 | Male insert revos basic, 16-poles, rated current: 16A, rated voltage: 690V, with tin-plated contacts |
| 72.700.1658.0 | Female insert BAS BUC 16 69 | Female insert revos basic, 16-poles, rated current: 16A, rated voltage:690V, with tin-plated contacts |
| 72.710.1658.0 | Male insert BAS STC 16 69 | Male insert revos basic, 16-poles, rated current: 16A, rated voltage: 690V, with tin-plated contacts |
| 73.800.7253.0 | Female insert DD BUC 72 1,5 25 | revos DD 72 pole + ground, female insert 250V/10A, crimp connection |
| 73.810.7253.0 | Male insert DD STC 72 1,5 25 | revos DD 72 pole + ground, male insert, 250V/10A, crimp connection |
| 70.405.1653.0 | Female insert BAS BUP 16 2,5 50 AG | Female insert revos basic, 16-poles, rated current: 16A, rated voltage:500V, with silver-plated contacts |

| | | |
|---------------|----------------------------------|---|
| 70.415.1653.0 | Male insert BAS STP 16 2,5 50 AG | Male insert revos basic, 16-poles, rated current: 16A, rated voltage: 500V, with silver-plated contacts |
|---------------|----------------------------------|---|

A
B
C
D
E
F

These dimensions will be especially checked at delivery
Only inspection dimensions
With /E marked dimensions are only valid for internal use

Diese Maße werden bei Abnahme besonders geprüft
Ausschließlich Prüfmaße
Mit /E gekennzeichnete Maße sind nur für interne Zwecke gültig



| | | | | |
|--|---------------|------------------------|--|--------------------------------|
| 71.45 ⁴ ₂ .1637.1 | BAS GOM GI 16 | M32 M25 | B1 | Gewindebohrung /Thread hole |
| Bestellnummer /Order number | Typ /Type | Varianten /Variants | | |
| Weitere Daten siehe KATALOG oder eKatalog. Additional data see CATALOG or eCatalog. | | | www.wieland-electric.com eshop.wieland-electric.com | |

| | | | | | |
|---|-------------------------------|--|--|--|-----------------------------|
| Tolerierung Size ISO 14405 (E) / Tolerance system Size ISO 14405 (E). (This ISO-standard describes the envelope principle. According to the envelope principle the deviations of form and parallelism are limited by the size tolerances). | | ja/yes <input checked="" type="checkbox"/> Stoffverbots- und Deklarationsliste nach WN 5020.010 ist einzuhalten. Conformity with Wieland document WN 5020.010 e (list of prohibited / deklarable hazardous substances) to be declared! | | | |
| Freitoleranz nach General tolerance | | CAD - Zeichnung, keine manuellen Änderungen CAD - drawing, no manual modifications allowed | | 1. Verwendung: First Use: | Blatt: 1 von Sheet: 1 of |
| Werkstoff / Material Aluminium | | Tag/Date 19.05.2016 | Name Lunz S. | Zeichnung Nr. / Drawing No. T 71.452.1637.1 13K | |
| Maßstab / Scale 1:2 | | gezeichnet drawn | geprüft checked | Maße in mm / Dimensions are in mm | |
| Vol.. --- mm ³ | | Ofl./Surf. --- mm ² | | Ersatz für / Replacement for: | |
| www.wieland-electric.com | | Type revos BASIC M | Benennung/Title GEHAEUSEOBERTEIL Baugröße 16 - Kabelabgang oben-M25/M32 Hood size 16 - cable outlet top-M25/M32 | | |
| Index | Datum / Blatt Date / Sheet | | | | |
| Änderung / Revision | | | | | |

Weitergabe sowie Vervielfältigung dieses Dokuments, Verwertung und Mitteilung seines Inhalts sind verboten, soweit nicht ausdrücklich gestattet. The reproduction, distribution and utilization of this document as well as the communication of its contents to others without express authorization is prohibited.