

Data sheet

Commercial Art.No.: 96.042.4053.1

Connector RST20i4S S1 ZR1 V SW

RST20i5/4 connector, 4 pole, male, screw connection, application 250/400V with PE, 20A, for cable diameters 6-10mm, coding color black, color of housing black



Commercial Art.No.	96.042.4053.1
EAN	4015573863187
Order Unit	1

Certificates / Approvals



LR

RINA



Technical data

General

Rated current	20 A
Rated voltage	250 V / 400 V
Rated impulse voltage	4 kV
strain relief	yes
Pollution degree	3
Lockable	self-locking (unlocking by tool)
Color of coding/ contact carrier	black
Marking of poles	1, 2, 3, PE
Color of housing inclusive strain relief	black

Connection Data

Cable diameter max.	10 mm
Cable diameter min.	6 mm
Connection cross section solid mm ² max.	4 mm ²
Connection cross section solid mm ² min.	0.75 mm ²
Connection cross section solid AWG min.	18 AWG
Connection cross section solid AWG max.	14 AWG
Connection cross section fine stranded mm ² max.	4 mm ²
Connection cross section fine stranded mm ² min.	0.75 mm ²
Terminations per pole	1
Connection cross section stranded mm ² min.	0.75 mm ²
Connection cross section stranded mm ² max.	4 mm ²
Connection cross section stranded AWG min.	18 AWG
Connection cross section stranded AWG max.	14 AWG
sheath strip length	26.5 mm

Wire strip length	8 mm
-------------------	------

Model

Model	male
Connection type	screw connection
Degree of protection (IP)	IP66/68 (3m;2h) /IP69

Material

Housing material	Polyamide
halogen free	yes
Contact material	CuZn
Fire load	0.286 kWh
Insulation components continuous temperature	100 °C
Surface finish	Silver-plated

Dimensions

Length	78.4 mm
Width	34.6 mm
Height	34.6 mm

Classification

ECLASS 11	
ECLASS 8.1	27440605
ETIM 7.0	EC002560
ETIM 6.0	EC002560
ETIM 5.0	EC002560
ETIM 4.0	EC002560

Note

Note	RST® terminals with screw clamping allow the connection of conductors without special preparation (without ferrules) according to EN 60999-1.
------	---

Product compliance

ROHS conformity status	Compliant/Exempted
ROHS exceptions	III-6(c)
REACH-SVHC conformity status	Duty-To-Declare
REACH-SVHC substances	Lead
REACH-SVHC CAS numbers	7439-92-1

Accessories

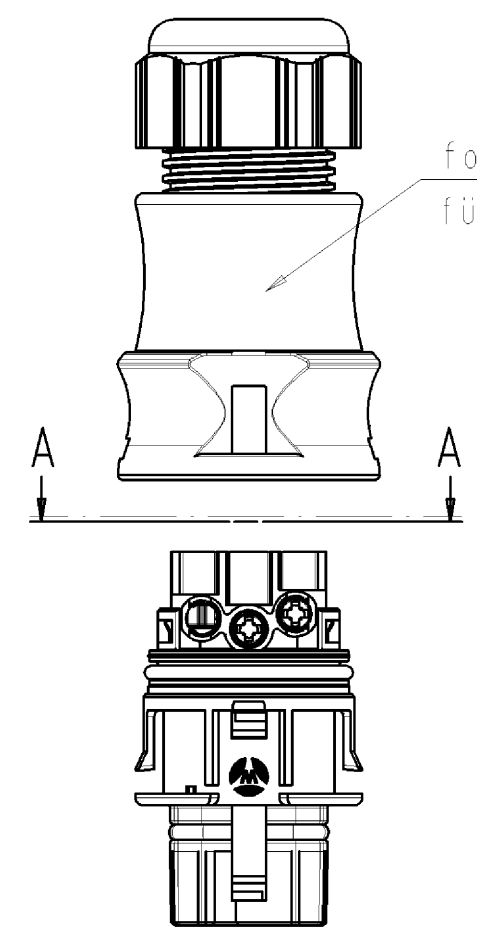
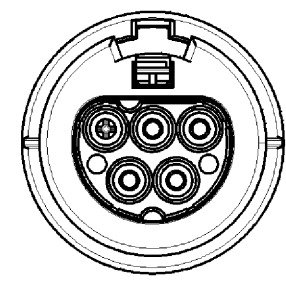
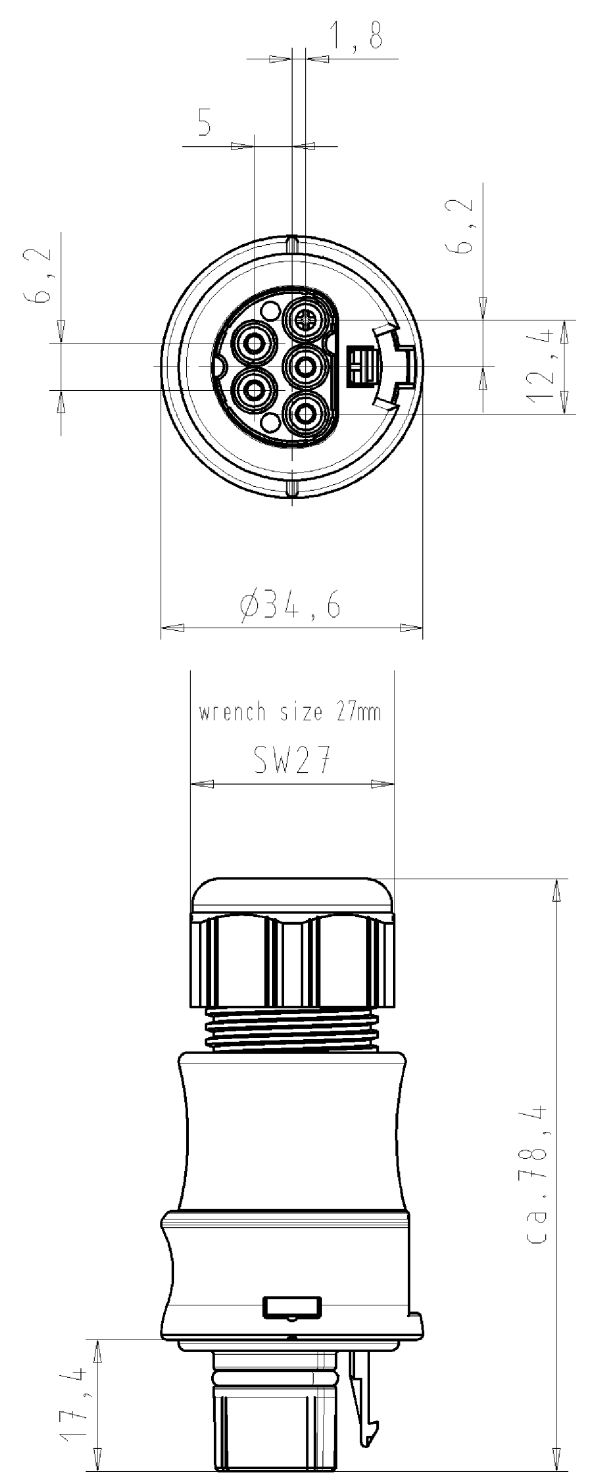
Commercial Art.No.:	Article-type description:	Description:
05.565.9953.1	Cover for male connector SW	RST20i5/4 cover piece, for covering unused male connectors, color black
99.532.0000.7	Cover for male connector SW	RST20i5/4 cover piece, for covering unused male connectors, with fastening belt, color black

Fits with

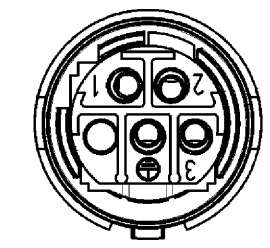
Commercial Art.No.:	Article-type description:	Description:
96.041.4053.1	Connector RST20I4S B1 ZR1 SW	RST20i5/4 connector, 4 pole, female, screw connection, application 250/400V with PE, 20A, for cable diameters 6-10mm, coding color black, color of housing black
96.043.4053.1	Connector RST20I4S B1 YR1 SW	RST20i5/4 connector (90° angled), 4 pole, female, screw connection, application 250/400V with PE, 20A, for cable diameters 6-10mm, coding color black, color of housing black
96.041.5053.1	Device connector RST20I4S B1 M01 SW	RST20i5/4 device connector M25, 4 pole, female, screw connection, application 250/400V with PE, 20A, coding color black
96.041.6153.1	Device connector RST20I4S B1 M03 SW	RST20i5/4 device connector M16, 4 pole, female, screw connection, modular, application 250/400V with PE, 20A, coding color black, color of housing black
96.041.6053.1	Device connector RST20I4S B1 M00 SW	RST20i5/4 device connector M20, 4 pole, female, screw connection, modular, application 250/400V with PE, 20A, coding color black, color of housing black
96.043.6053.1	Device connector RST20I4S B1 M90 SW	RST20i5/4 device connector (90° angled) M20, 4 pole, female, screw connection, modular, application 250/400V with PE, 20A, coding color black, color of housing black
96.043.6253.1	Device connector RST20I4S B1 M91 SW	RST20i5/4 device connector (90° angled) M25, 4 pole, female, screw connection, modular, application 250/400V with PE, 20A, coding color black, color of housing black
96.045.6153.1	Device connector RST20I4S B1 M13 SW	RST20i5/4 device connector (7° angled) M16, 4 pole, female, screw connection, modular, application 250/400V with PE, 20A, coding color black, color of housing black
99.911.0000.7	Distributor RST20I4B 3P1 F G SW	RST20i5/4 multi-distribution unit, 3 pole, application 250V/400V, 20A; 1 input and 3 outputs, mounting option, coding color black, color of housing black

These dimensions will be especially checked at delivery
Only inspection dimensions
With /E marked dimensions are only valid for internal use

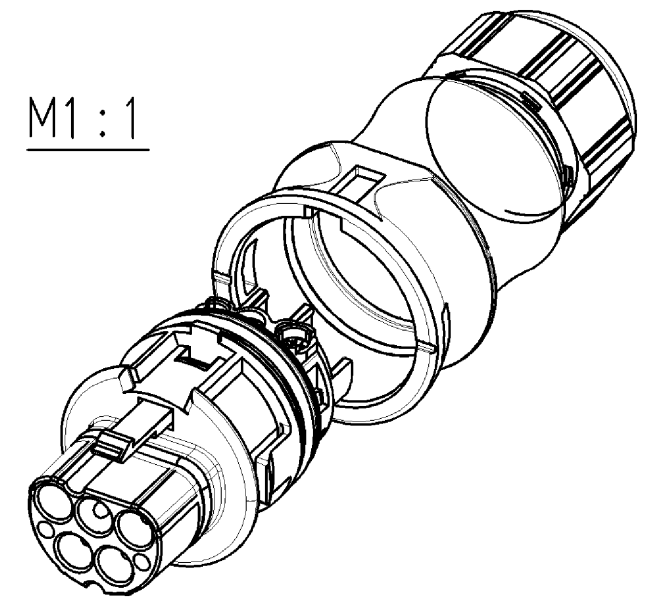
Diese Maße werden bei Abnahme besonders geprüft
Ausschließlich Prüfmaße
Mit /E gekennzeichnete Maße sind nur für interne Zwecke gültig



A-A



M1:1



Verpackungseinheit: je 100 Stück
packaging unit: per 100 (a)

Teile-Nr./ part-nr.	Farbe:/ color:	Type
96.042.4053.1	schwarz, ähnl. RAL 9005/ black, similar to RAL 9005	RST2014S S1 ZR1 V SW
96.042.4053.0	lichtgrau, ähnl. RAL 7035/ lightgrey, similar to RAL 7035	RST2014S S1 ZR1 V GL

Tolerierung nach DIN 7167/Tolerance system acc. to DIN 7167. (This DIN-standard describes the envelope principle. According to the envelope principle the deviations of form and parallelism are limited by the size tolerances).		nein/no <input checked="" type="checkbox"/> Stoffverbots- und Deklarationsliste nach UU-TQM-05/03 ist einzuhalten. Conformity with Wieland document UU-TQM-05/03 (list of prohibited / declarable hazardous substances) to be declared!	
Freitoleranz nach General tolerance		CAD - Zeichnung, keine manuellen Änderungen CAD - drawing, no manual modifications allowed	1. Verwendung: - First Use:
/		Werkstoff/Material	Blatt: 1 von 1 Sheet: of 1
/		Maßstab/Scale	Zeichnung Nr./Drawing No.
/		2005 Tag/Date	Name
/		09.09.	Kneitz
/		geprüft checked	T
/		Maße in mm/Dimensions are in mm	96.042.4053.0 01K a
/		Vol. mm ³ Ofl./Surf. mm ²	Ersatz für/Replacement for: -
/		Wieland	Type
a 08.12.2005/ Index Datum / Blatt Date / Sheet		Benennung/Title	STECKERTEIL MIT ZUGENTLASTUNG
Änderung/Revision		male connector with cord grip Schraubanschluß ohne Drahtschutz/screw-connection without wire protection Standardkodierung 0/standard-keying 0 (250V/400V/20A)	

Weitergabe sowie Vervielfältigung dieses Dokuments, Verwertung und Mitteilung seines Inhalts sind verboten, soweit nicht ausdrücklich gestattet.
The reproduction, distribution and utilization of this document as well as the communication of its contents to others without express authorization is prohibited.