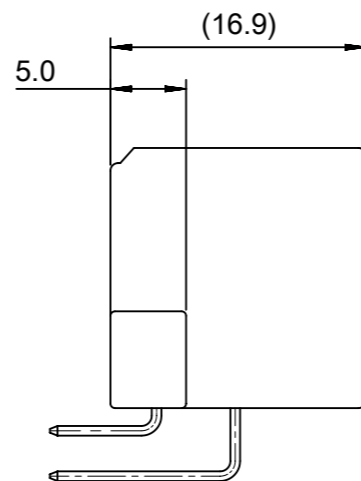
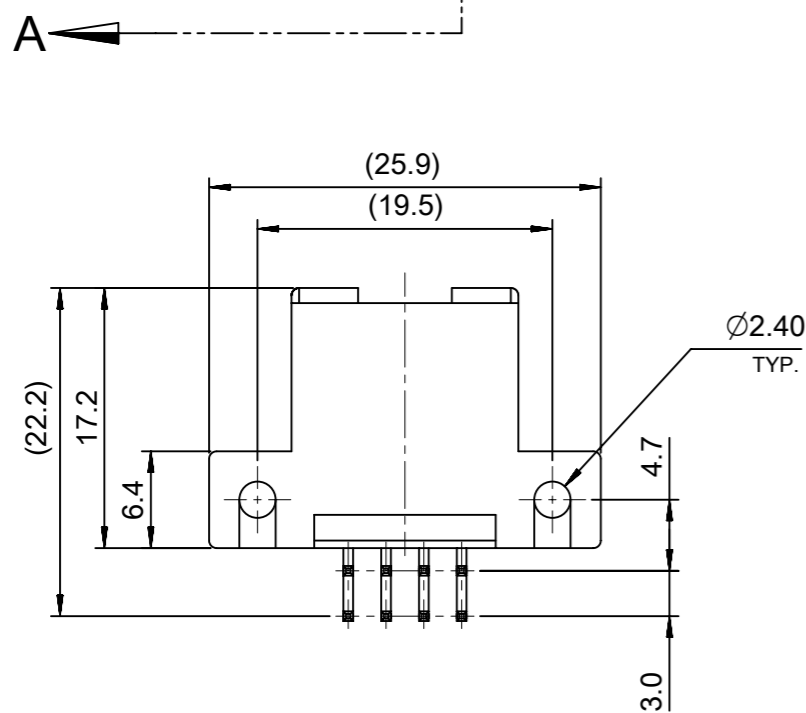


RECOMMENDED P.C.B HOLD DIM.(MOUNT SIDE)



NOTES

1. APPLICABLE FEMALE HOUSING : 68508-081*

NO.	DESCRIPTION	MATERIAL	REMARK
1	HOUSING	POLYESTER, G/F 15%	UL94HB
2	PIN(L)	BRASS	PRE-TIN PLATED
3	PIN(S)		

THIS DRAWING CONTAINS INFORMATION THAT IS PROPRIETARY TO MOLEX ELECTRONIC TECHNOLOGIES, LLC AND SHOULD NOT BE USED WITHOUT WRITTEN PERMISSION		SCALE 2:1		CURRENT REV DESC: OBSOLETE PART NUMBER		molex	
DIMENSION UNITS mm		GENERAL TOLERANCES (UNLESS SPECIFIED)		EC NO: 632457 DRWN: AKUMAR19 2020/02/19 CHK'D: GGA 2020/03/23 APPR: GGA 2020/03/23			
4 PLACES ±		MM INCH		INITIAL REVISION:		PRODUCT CUSTOMER DRAWING	
3 PLACES ±				DRWN: BCYOON 2002/08/05		DOCUMENT NUMBER	
2 PLACES ± 0.25				APPR: CWLEE 2002/08/05		SD-68145-308	
1 PLACE ± 0.3				THIRD ANGLE PROJECTION		DOC TYPE DOC PART REVISION	
0 PLACES ±				DRAWING		PSD 001 E	
ANGULAR TOL ± 1.0°				SERIES		SHEET NUMBER	
DRAFT WHERE APPLICABLE MUST REMAIN WITHIN DIMENSIONS				A3-SIZE		1 OF 1	
				MATERIAL NUMBER		CUSTOMER	
				68145		SEE TABLE GENERAL MARKET	

NO.	ENG NO.	MATERIAL NO.	REMARK
1	68145-0825	681450825	GRAY
2	68145-0826	681450826	WHITE