

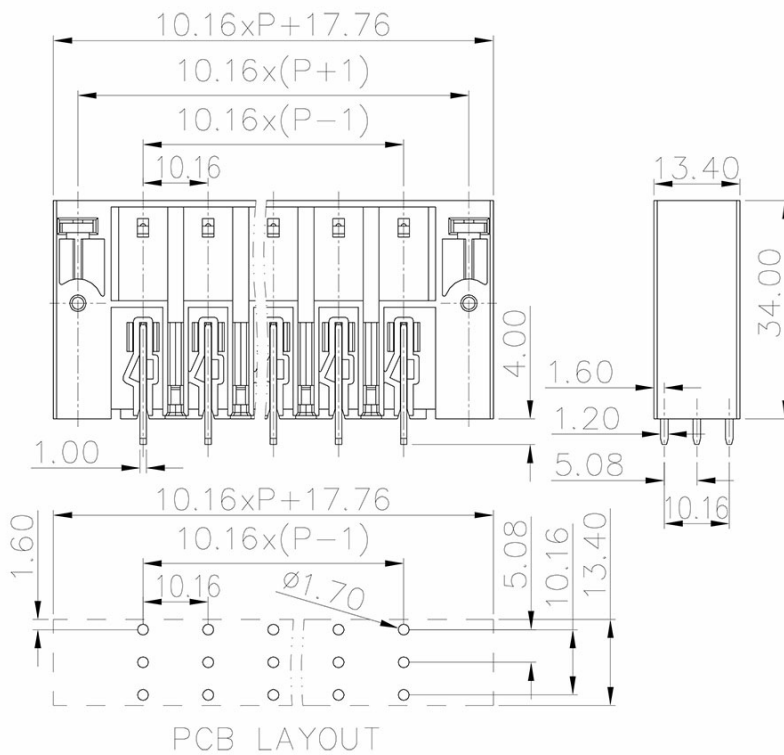
Category: 插拔式端子-插座/Plug-in terminal-plug

Product name: MC-PH10.16VXX-F-0001

Product Description: 10.16mm , 1000V , 76A CE



### Product Picture



### 基本信息 /Basic Information

产品型号 SUPU ID	MC-PH10.16VXX-F-0001
产品间距 Pitch	10.16mm
产品层数 Number of levels	1
产品位数 Number of connections	2P-12P
接线方式 Connection method	-
防护等级 Protection Level	IP20

工作温度 Work temperature	-40~+105°C
--------------------------	------------

## IEC数据 /IEC Data

额定电流 Rated Current	76A		
额定电压 Rated Voltage	1000V		
过压类别 Overvoltage category	III	III	II
污染等级 Pollution degree	3	2	2
额定冲击电压 Rated impulse voltage	8KV	8KV	6KV
额定电压 Rated Voltage	1000V	1000V	1000V
硬导线截面积 Conductor cross section solid	-		
柔性导线截面积 Conductor cross section flexible	-		
柔性导线截面积，带绝缘管套 Conductor cross section flexible,with furrule	-		
锁线螺钉规格 Locking screw Specification	-		
额定扭矩 Rated Torque	-		
固定螺钉规格 Fixed Screw Specification	M3		
额定扭矩 Rated Torque	0.5N.m		
剥线长度 Stripping length	-		

## UL数据 /UL Data

使用组别 Use group	B	C	D
额定电流 Rated Current	66A	66A	5A
额定电压 Rated Voltage	300V	300V	600V

---

额定接线容量 Rated cross section	-
-------------------------------	---

---

### 材料信息 /Material Data

---

绝缘材料 Insulation material	PA66
绝缘材料组别 Insulation material group	I
阻燃等级，符合UL94 Flame retardant grade, UL94 compliance	V0
导电体材料 Contact material	Copper alloy
导电体表面镀层 Surface characteristics	Sn,Plated

---

### 产品认证 /Product Certification

---

认证图标  
Certificate



---

UL证书号  
UL file No.

---

VDE证书号  
VDE No.

---

TUV证书号  
TUV No.

---

Ningbo Supu Electronics Co.,Ltd  
  
Zip code: 315303  
Fax: +86 574-63288170  
E-mail : askme@supu.cn

Address: No. 625, Kandun Town Street, Cixi  
City, Zhejiang Province  
Switchboard: +86 574-63288158  
E-mail : askme@supu.cn  
Service Hotline: 400-626-6336



Code