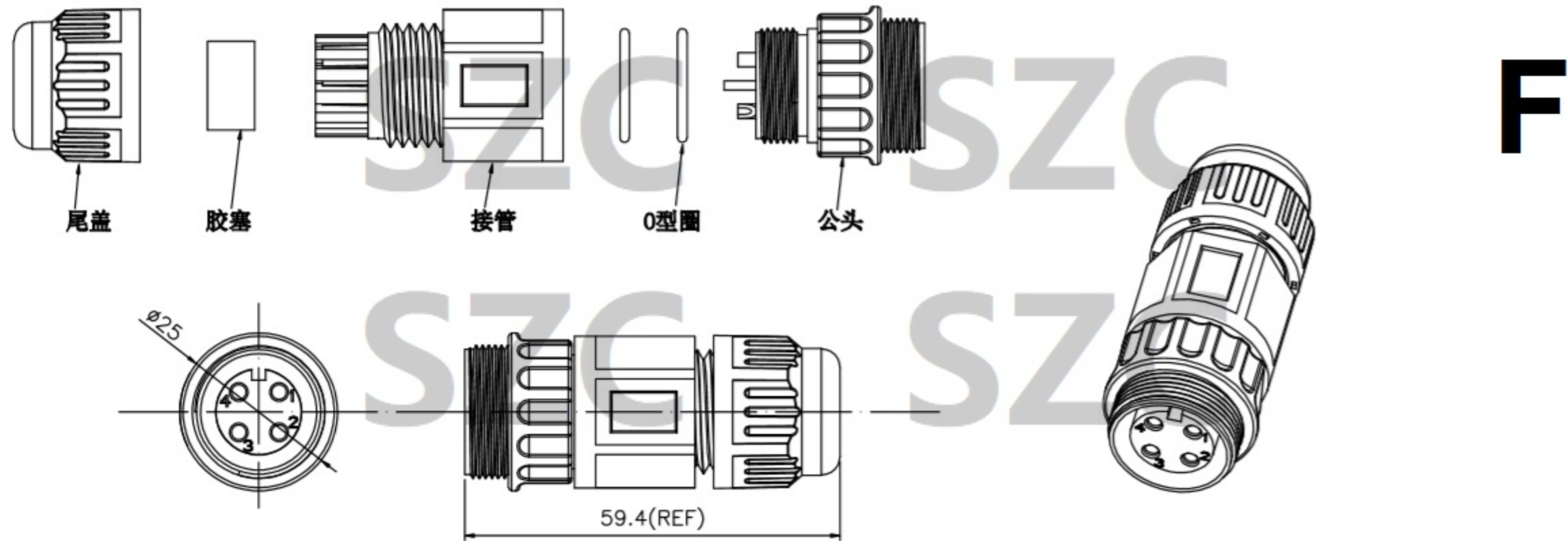
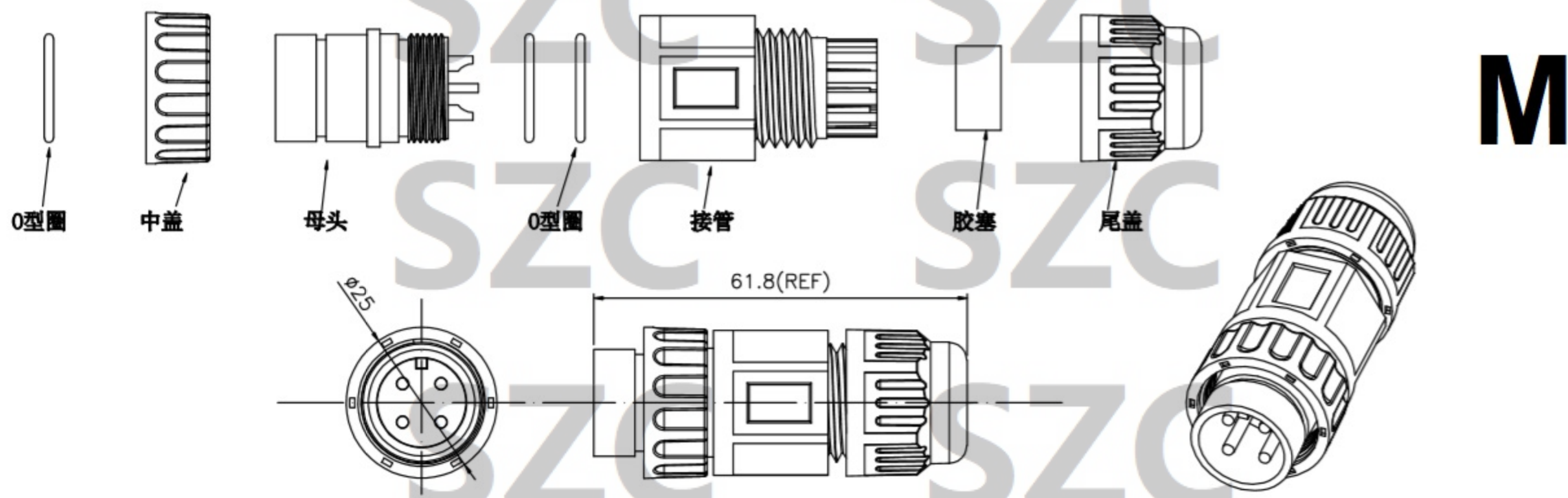


# SZC-260 IP68 SERIES



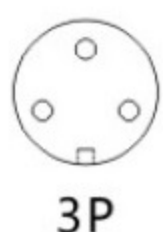
## Technical parameter

| PIN                              | 2                    | 3                    | 4                     | 8                    | 12                    | 2+3                        | 2+4                        |
|----------------------------------|----------------------|----------------------|-----------------------|----------------------|-----------------------|----------------------------|----------------------------|
| Rated voltage                    | 250V                 | 250V                 | 250V                  | 110V                 | 110V                  | 110V                       | 110V                       |
| Rated current                    | 12A                  | 12A                  | 10A                   | 5A                   | 3A                    | 10+5A                      | 10+5A                      |
| Pin diameter                     | 2.0mm                | 2.0mm                | 2.0mm                 | 1.0mm                | 1.0mm                 | 2.35+1.0mm                 | 2.35+1.0mm                 |
| Wire matching                    | 2x1.0mm <sup>2</sup> | 3x1.5mm <sup>2</sup> | 4x1.0mm <sup>2</sup>  | 8x0.5mm <sup>2</sup> | 12x0.3mm <sup>2</sup> | 2x1.5+3x0.5mm <sup>2</sup> | 2x1.5+4x0.5mm <sup>2</sup> |
| Line diameter                    | 6-11.5mm             |                      | Operating temperature |                      | -40°C-105°C           |                            |                            |
| use of plugs                     | 1500次                |                      | Needle material       |                      | Brass gold plated     |                            |                            |
| Connected resistor               | ≤5mΩ                 |                      | waterproof level      |                      | IP68                  |                            |                            |
| waterproof ring<br>Needle bitmap | Silica gel           |                      | Shell material        |                      | PA66                  |                            |                            |

PIN



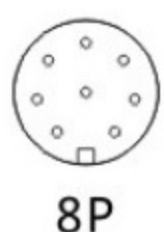
2P



3P



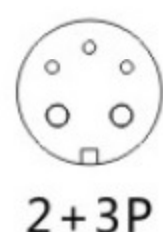
4P



8P



12P



2+3P



2+4P

**SZC**