

## Data sheet

Commercial Art.No.: 93.431.2353.1

Device connector BST14i3F B1 R SW

Device connectors, snap-in panel mount, BST14i3, 4 pole, female, spring clamp connection, 50V/3A, color of coding: black, color of frame: black



Commercial Art.No.	93.431.2353.1
EAN	4015573492189
Order Unit	1

Certificates / Approvals



## Technical data

### General

Rated current	3 A
Rated voltage	50 V
Pollution degree	2
Mechanical coding	yes
Rated impulse voltage	0.8 kV
Lockable	self-locking (unlocking by hand)
Color of coding/ contact carrier	black
Marking of poles	1+, 2-

### Connection Data

Connection cross section solid mm <sup>2</sup> max.	0.75 mm <sup>2</sup>
Connection cross section solid mm <sup>2</sup> min.	0.25 mm <sup>2</sup>
Terminations per pole	1
Wire strip length	9 mm

### Model

Model	female
Connection type	spring clamp connection
Angle of plug	straight
Degree of protection (IP)	IP20
Thickness of housings (electrical device) 2	0.5 mm
Thickness of housings (electrical device)	1.5 mm
built-in component	snap-in

### Material

Housing material	Polyamide
halogen free	yes
Contact material	CuBe
Fire load	0.026 kWh
Insulation components continuous temperature	100 °C
Surface finish	Gilt

#### Dimensions

Length	29.9 mm
Width	19.6 mm
Height	19.6 mm

#### Classification

ECLASS 11	
ECLASS 8.1	27440602
ETIM 7.0	EC002566
ETIM 6.0	EC002566
ETIM 5.0	EC002566
ETIM 4.0	EC002566

#### Product compliance

ROHS conformity status	Compliant
REACH-SVHC conformity status	Compliant

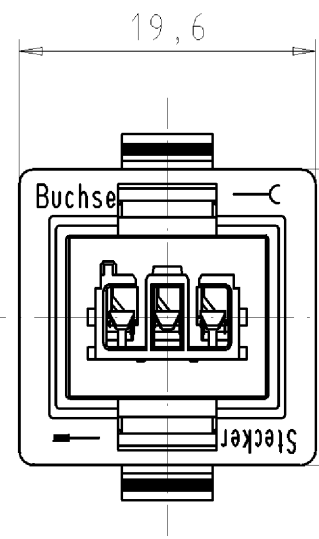
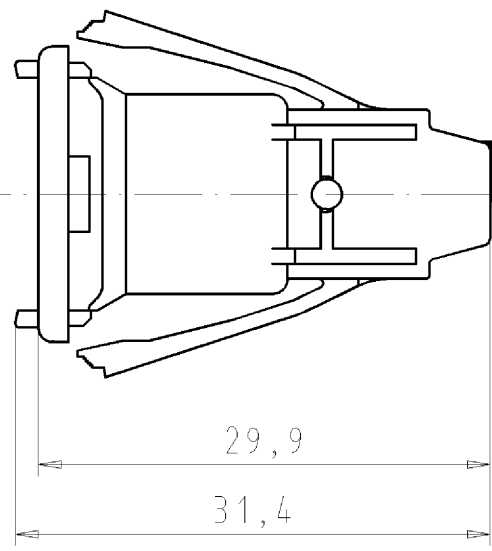
#### Accessories

Commercial Art.No.:	Article-type description:	Description:
07.425.8453.0	Cover BST14/GST15i2/RJ45 WS	Cover to close unused openings for BST14 panel mounts. Cover: white

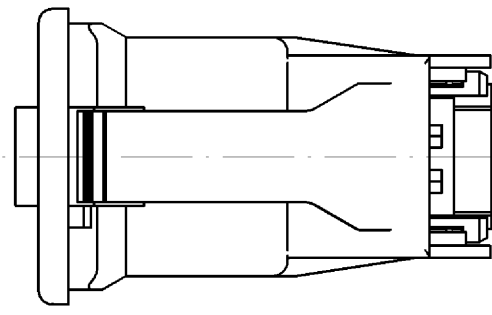
#### Fits with

Commercial Art.No.:	Article-type description:	Description:
93.432.2553.1	Connector BST14i3F S1 ZR1 MSW	Connector BST14i3, 3 pole, male, spring clamp connection, 50V/3A, color of coding: black, color of housing: black

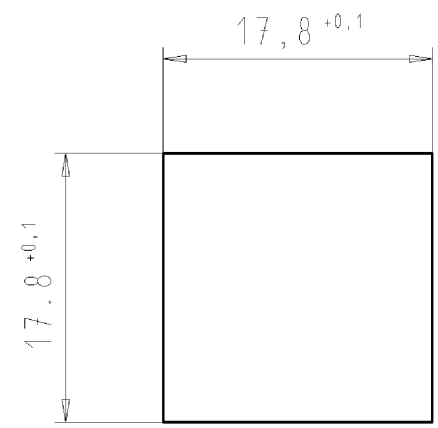
These dimensions will be especially checked at delivery  
 Only inspection dimensions  
 With /E marked dimensions are only valid for internal use



Diese Maße werden bei Abnahme besonders geprüft  
 Ausschließlich Prüfmaße  
 Mit /E gekennzeichnete Maße sind nur für interne Zwecke gültig



Blechdicke 0,5 - 1,5 mm  
 material thickness 0,5-1,5mm



Weitere Daten siehe Katalog  
 further data see catalog

Weitergabe sowie Vervielfältigung dieses Dokuments, Verwertung und Mitteilung seines Inhalts sind verboten, soweit nicht ausdrücklich gestattet. Die Reproduktion, Distribution und Utilization of this document as well as the communication of its contents to others without express authorization is prohibited.

Teilenummer part number	Farbe colour	Typ type
93.431.2353.0	weiß, ähnl./white sim. RAL 9003	BST1413F B1 R WS
93.431.2353.1	schwarz, ähnl./black sim. RAL 9005	BST1413F B1 R SW

Tolerierung nach DIN 7167/Tolerance system acc. to DIN 7167. (This DIN-standard describes the envelope principle. According to the envelope principle the deviations of form and parallelism are limited by the size tolerances). ja/yes  Stoffverbots- und Deklarationsliste nach UU-TQM-05/03 ist einzuhalten. Conformity with Wieland document UU-TQM-05/03 (list of prohibited / declarable hazardous substances) to be declared!

Freitoleranz nach General tolerance CAD - Zeichnung, keine manuellen Änderungen CAD - drawing, no manual modifications allowed 1.Verwendung: First Use: Blatt: 1 von 1 Sheet: 1 of 1

Werkstoff/Material		2008	Tag/Date	Name	T	Zeichnung Nr./Drawing No. 93.431.2353.0 01K	Index
Maßstab/Scale 2:1		gezeichnet drawn	06.08.	Schmitt J.			
Vol. mm³		Of1./Surf. mm²	Ersatz für/Replacement for: -		Maße in mm/Dimensions are in mm		
wieland		Type	Benennung/Tittle BUCHSENTEIL_SNAP_IN				
Änderung/Revision		Elektrische Verbindungen female connector snap-in, spring-loaded					