

## Data sheet

Commercial Art.No.: 96.061.4053.6

Connector RST20I6S B1 ZR1 TB04

RST20i7/6 connector, 6 pole, female, screw connection, application 250/400V with PE, 20A, for cable diameters 6-10mm, coding color turquoise blue, color of housing black



Commercial Art.No.	96.061.4053.6
EAN	4049088423512
Order Unit	1

Certificates / Approvals



## Technical data

### General

Rated current	16 A
Rated voltage	250 V / 400 V
Rated impulse voltage	4 kV
strain relief	yes
Pollution degree	3
Lockable	self-locking (unlocking by tool)
Color of coding/ contact carrier	turquoise blue
Marking of poles	L, N, PE, 1, 2, Ls
Color of housing inclusive strain relief	black

### Connection Data

Cable diameter max.	10 mm
Cable diameter min.	6 mm
Connection cross section solid mm <sup>2</sup> max.	1.5 mm <sup>2</sup>
Connection cross section solid mm <sup>2</sup> min.	0.2 mm <sup>2</sup>
Connection cross section fine stranded mm <sup>2</sup> max.	1.5 mm <sup>2</sup>
Connection cross section fine stranded mm <sup>2</sup> min.	0.2 mm <sup>2</sup>
Terminations per pole	1
Connection cross section stranded AWG min.	20 AWG
Connection cross section stranded AWG max.	14 AWG
sheath strip length	25 mm
Wire strip length	8 mm

### Model

Model	female
Connection type	screw connection

Degree of protection (IP)	IP66/68 (3m;2h) /IP69
---------------------------	-----------------------

#### Material

Housing material	Polyamide
halogen free	yes
Contact material	CuZn
Fire load	0.323 kWh
Insulation components continuous temperature	100 °C
Surface finish	Silver-plated
UL classification housing	UL-V2
UL classification strain relief	UL-V2

#### Dimensions

Length	84 mm
Width	34.6 mm
Height	34.6 mm

#### Note

Note	Wires with 2,5 mm <sup>2</sup> only without ferrules; 3 poles max. 20A, 3 poles max. 5A
------	-----------------------------------------------------------------------------------------

#### Classification

ECLASS 11	
ECLASS 8.1	27440605
ETIM 7.0	EC002560
ETIM 6.0	EC002560
ETIM 5.0	EC002560
ETIM 4.0	EC002560

#### Product compliance

ROHS conformity status	Compliant/Exempted
ROHS exceptions	III-6(c)
REACH-SVHC conformity status	Duty-To-Declare
REACH-SVHC substances	Lead
REACH-SVHC CAS numbers	7439-92-1

#### Accessories

Commercial Art.No.:	Article-type description:	Description:
06.562.8753.0	Opener RST20i7 BG	Manual disconnect for later installation of RST connectors, color black
99.589.0000.7	Cover for female connector SW	RST20i7/6 cover piece, for covering unused female connectors, with fastening belt, color black
Z5.569.5253.1	Cover for female connector SW	RST20i7/6 cover piece, for covering unused female connectors, color black

#### Fits with

Commercial Art.No.:	Article-type description:	Description:

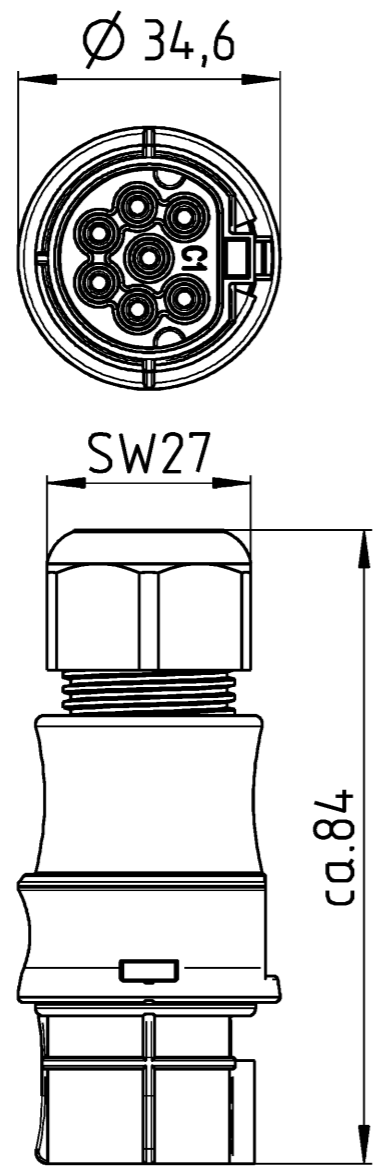
96.062.4053.6	Connector RST20I6S S1 ZR1 TB04	RST20i7/6 connector, 6 pole, male, screw connection, application 250/400V with PE, 20A, for cable diameters 6-10mm, coding color turquoise blue, color of housing black
96.064.4053.6	Connector RST20I6S S1 YR1 TB04	RST20i7/6 connector (90° angled), 6 pole, male, screw connection, application 250/400V with PE, 20A, for cable diameters 6-10mm, coding color turquoise blue, color of housing black
96.062.6053.6	Device connector RST20I6S S1 M00V TB04	RST20i7/6 device connector M20, 6 pole, male, screw connection, modular, application 250/400V with PE, 20A, coding color turquoise blue, color of housing black
9L.062.6053.6	Device connector RST20I6S 21 M00V TB04	RST20i7/6 device connector M20, with longitudinal sealing, 6 pole, male, screw connection, modular, application 250/400V with PE, 20A, coding color turquoise blue, color of housing black
96.062.6153.6	Device connector RST20I6S S1 M03V TB04	RST20i7/6 device connector M16, 6 pole, male, screw connection, modular, application 250/400V with PE, 20A, coding color turquoise blue, color of housing black
9L.062.6153.6	Device connector RST20I6S 21 M03V TB04	RST20i7/6 device connector M16, with longitudinal sealing, 6 pole, male, screw connection, modular, application 250/400V with PE, 20A, coding color turquoise blue, color of housing black
96.064.6053.6	Device connector RST20I6S S1 M90V TB04	RST20i7/6 device connector (90° angled) M20, 6 pole, male, screw connection, modular, application 250/400V with PE, 20A, coding color turquoise blue, color of housing black
96.064.6253.6	Device connector RST20I6S S1 M91V TB04	RST20i7/6 device connector (90° angled) M25, 6 pole, male, screw connection, modular, application 250/400V with PE, 20A, coding color turquoise blue, color of housing black
96.066.6153.6	Device connector RST20I6S S1 M13V TB04	RST20i7/6 device connector (7° angled) M16, 6 pole, male, screw connection, modular, application 250/400V with PE, 20A, coding color turquoise blue, color of housing black
96.062.6253.6	Device connector RST20I6S S1 M01V TB04	RST20i7/6 device connector M25, 6 pole, male, screw connection, modular, application 250/400V with PE, 20A, coding color turquoise blue, color of housing black
9L.062.6253.6	Device connector RST20I6S 21 M01V TB04	RST20i7/6 device connector M25, with longitudinal sealing, 6 pole, male, screw connection, modular, application 250/400V with PE, 20A, coding color turquoise blue, color of housing black

A  
 Weitergabe sowie Vervielfältigung dieses Dokuments, Verwertung und Mitteilung seines Inhalts sind verboten, soweit nicht ausdrücklich gestattet. Die Reproduktion, Distribution und Utilization of this document as well as the communication of its contents to others without express authorization is prohibited.

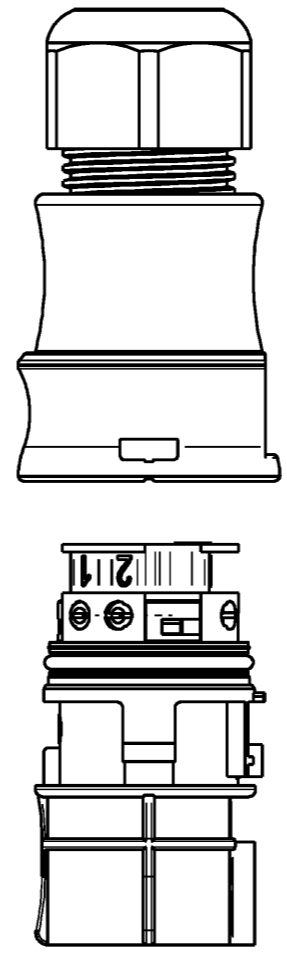
B  
 These dimensions will be especially checked at delivery  
 Only inspection dimensions  
 With /E marked dimensions are only valid for internal use

C  
 Diese Maße werden bei Abnahme besonders geprüft  
 Ausschließlich Prüfmaße  
 Mit /E gekennzeichnete Maße sind nur für interne Zwecke gültig

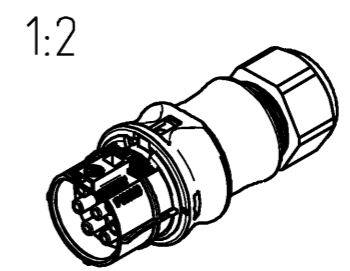
F



Auslieferungszustand /delivery status



Teile-Nr./ Part no.	Typ/ Type	Kodierung/ coding
96.071.4053.0	RST20I7S B1 ZR1 GL	
96.071.4053.1	RST20I7S B1 ZR1 SW	
9L.071.4053.0	RST20I7S 11 ZR1 GL	
9L.071.4053.1	RST20I7S 11 ZR1 SW	
96.071.4053.9	RST20I7S B1 ZR1 BL07	
9L.071.4053.9	RST20I7S 11 ZR1 BL07	
96.061.4053.6	RST20I6S B1 ZR1 TB04	
9L.061.4053.6	RST20I6S 11 ZR1 TB04	
96.071.4053.6	RST20I7S B1 ZR1 TB04	
9L.071.4053.6	RST20I7S 11 ZR1 TB04	



● = Pol verschlossen /pole closed

Tolerierung Size ISO 14405 (E) / Tolerance system Size ISO 14405 (E). (This ISO-standard describes the envelope principle. According to the envelope principle the deviations of form and parallelism are limited by the size tolerances).		ja/yes <input checked="" type="checkbox"/> Stoffverbots- und Deklarationsliste nach WN 5020.010 ist einzuhalten. Conformity with Wieland document WN 5020.010 e (list of prohibited / declarable hazardous substances) to be declared!	
Freitoleranz nach General tolerance		CAD - Zeichnung, keine manuellen Änderungen CAD - drawing, no manual modifications allowed	1. Verwendung: First Use: Blatt: 1 von 1 Sheet: of 1
/	Werkstoff / Material	Tag/Date	Name
/	Maßstab / Scale	gezeichnet/drawn	Hollet
/	1:1	geprüft/checked	
/	Vol. mm <sup>3</sup> Dfl./Srf. mm <sup>2</sup>	Normgepr. Stand. check	
Ersatz für / Replacement for:		Zeichnung Nr. / Drawing No. Index	
		96.071.4053.0 13K a	
		Maße in mm / Dimensions are in mm	
a 14.05.2018 / Datum / Blatt Date / Sheet		Type Benennung/Title	
www.wieland-electric.com		RST20I BU_SCHRAUB	
Änderung / Revision		ohne Drahtschutz female, screw connection without wire protection	