



# Tact Switches

## IT-1185 Series



### FEATURES

Vertical pushing SMT type  
 3.9×2.9×(H)mm  
 Inner dust cover used

### APPLICATIONS

All kinds of electronic equipments such as  
 car audio and home appliances  
 Digital Camera, Camcorders, Mobile Phones


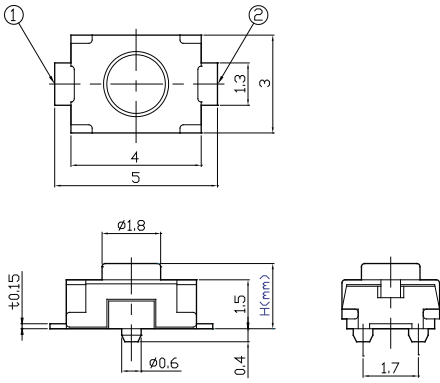
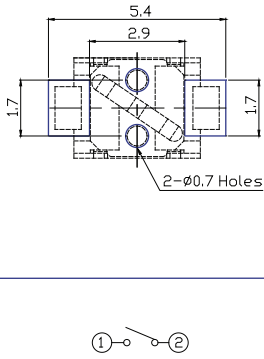

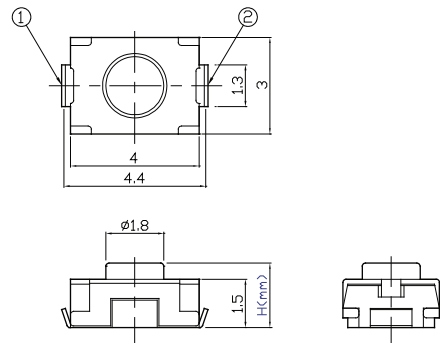
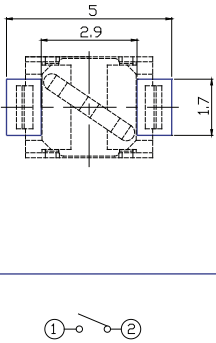

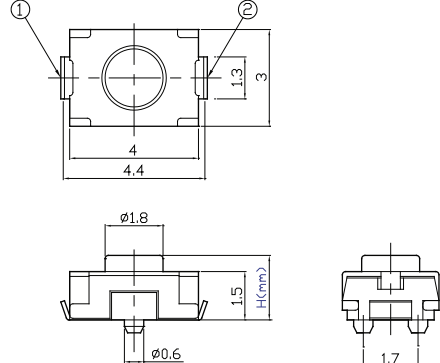
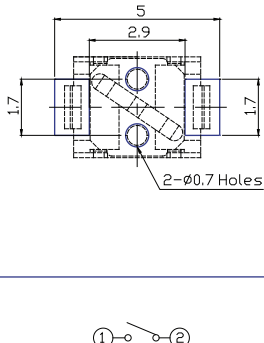

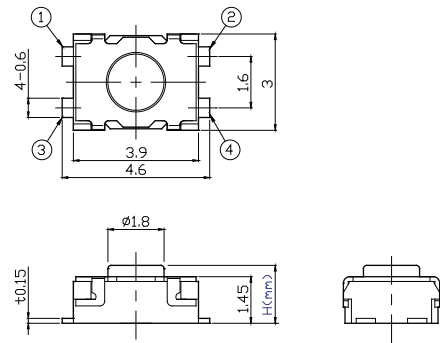
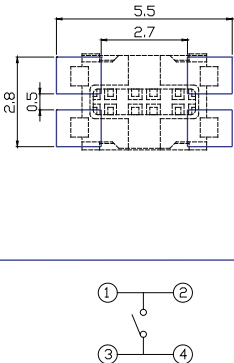
### COMMON SPECIFICATIONS


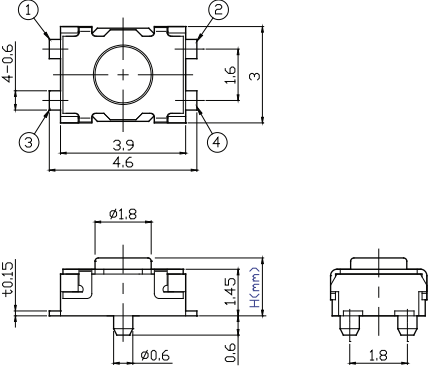
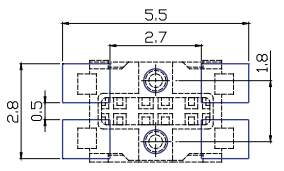
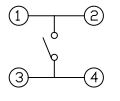

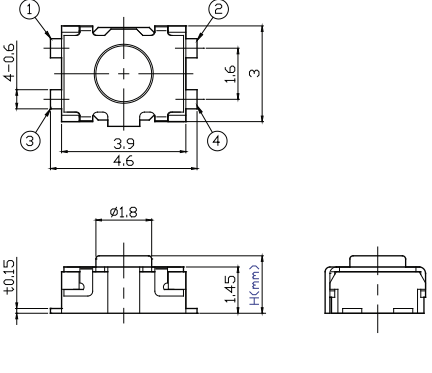
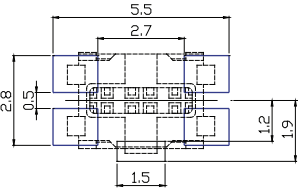
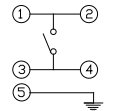

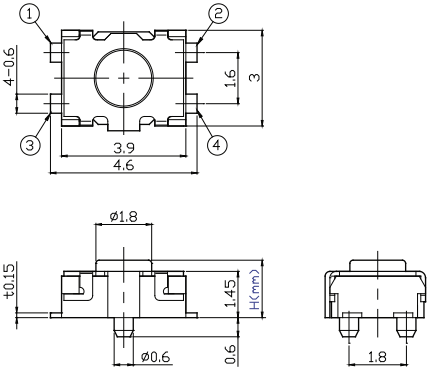
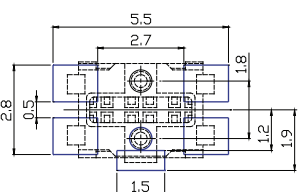
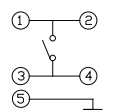
Electrical	Rating	DC 12V 50mA
	Contact Resistance	100mΩ Max.
	Insulation Resistance	100MΩ (DC 500V / 1 min.) Min.
	Withstanding Voltage	250 VAC / min.
Mechanical	Operating force	160±50gf / 250±50gf
	Travel	0.15±0.1mm
Endurance	Operating Life(cycles)	100,000

### MODEL CODE NO.

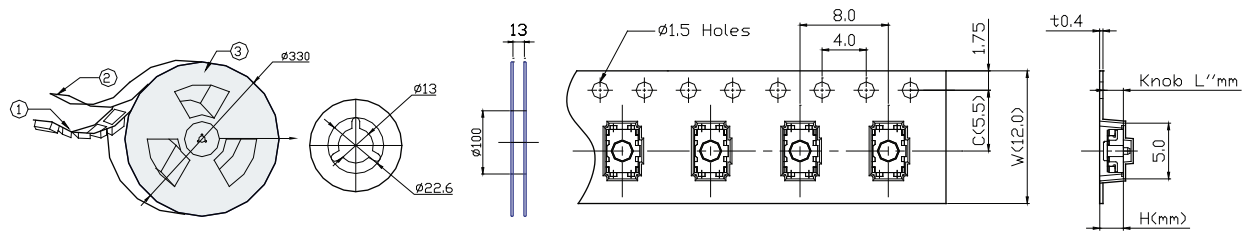
Drawing No.	Code No.	Terminal Type	Body Boss	Ground Cover
1	IT-1185AP1	2-Flat	Without	Without
2	IT-1185AP2	2-Flat	With	Without
3	IT-1185AU1	2-U Bent	Without	Without
4	IT-1185AU2	2-U Bent	With	Without
5	IT-1185BP1	4-Flat	Without	Without
6	IT-1185BP2	4-Flat	With	Without
7	IT-1185BP1-G	4-Flat	Without	With
8	IT-1185BP2-G	4-Flat	With	With

No.	Model No.	Dimension Type	PCB Land Dimension Circuit Diagram
1	IT-1185AP1		

No.	Model No.	Dimension Type	PCB Land Dimension Circuit Diagram										
2	 <p><b>IT-1185AP2</b></p>	 <table border="1" data-bbox="990 90 1046 177"> <thead> <tr> <th></th> <th>H</th> </tr> </thead> <tbody> <tr> <td>-</td> <td>1.8</td> </tr> <tr> <td>A</td> <td>2.0</td> </tr> <tr> <td>B</td> <td>2.5</td> </tr> <tr> <td>C</td> <td>4.0</td> </tr> </tbody> </table>		H	-	1.8	A	2.0	B	2.5	C	4.0	
	H												
-	1.8												
A	2.0												
B	2.5												
C	4.0												
3	 <p><b>IT-1185AU1</b></p>	 <table border="1" data-bbox="990 566 1046 653"> <thead> <tr> <th></th> <th>H</th> </tr> </thead> <tbody> <tr> <td>-</td> <td>1.8</td> </tr> <tr> <td>A</td> <td>2.0</td> </tr> <tr> <td>B</td> <td>2.5</td> </tr> <tr> <td>C</td> <td>4.0</td> </tr> </tbody> </table>		H	-	1.8	A	2.0	B	2.5	C	4.0	
	H												
-	1.8												
A	2.0												
B	2.5												
C	4.0												
4	 <p><b>IT-1185AU2</b></p>	 <table border="1" data-bbox="990 1042 1046 1128"> <thead> <tr> <th></th> <th>H</th> </tr> </thead> <tbody> <tr> <td>-</td> <td>1.8</td> </tr> <tr> <td>A</td> <td>2.0</td> </tr> <tr> <td>B</td> <td>2.5</td> </tr> <tr> <td>C</td> <td>4.0</td> </tr> </tbody> </table>		H	-	1.8	A	2.0	B	2.5	C	4.0	
	H												
-	1.8												
A	2.0												
B	2.5												
C	4.0												
5	 <p><b>IT-1185BP1</b></p>	 <table border="1" data-bbox="990 1518 1046 1604"> <thead> <tr> <th></th> <th>H</th> </tr> </thead> <tbody> <tr> <td>-</td> <td>1.8</td> </tr> <tr> <td>A</td> <td>2.0</td> </tr> <tr> <td>B</td> <td>2.5</td> </tr> <tr> <td>C</td> <td>4.0</td> </tr> </tbody> </table>		H	-	1.8	A	2.0	B	2.5	C	4.0	
	H												
-	1.8												
A	2.0												
B	2.5												
C	4.0												

No.	Model No.	Dimension Type	PCB Land Dimension Circuit Diagram										
6	<b>IT-1185BP2</b>	 	<table border="1"> <thead> <tr> <th></th> <th>H</th> </tr> </thead> <tbody> <tr> <td>-</td> <td>1.8</td> </tr> <tr> <td>A</td> <td>2.0</td> </tr> <tr> <td>B</td> <td>2.5</td> </tr> <tr> <td>C</td> <td>4.0</td> </tr> </tbody> </table>  		H	-	1.8	A	2.0	B	2.5	C	4.0
				H									
			-	1.8									
A	2.0												
B	2.5												
C	4.0												
7	<b>IT-1185BP1-G</b>	 	<table border="1"> <thead> <tr> <th></th> <th>H</th> </tr> </thead> <tbody> <tr> <td>-</td> <td>1.8</td> </tr> <tr> <td>A</td> <td>2.0</td> </tr> <tr> <td>B</td> <td>2.5</td> </tr> <tr> <td>C</td> <td>4.0</td> </tr> </tbody> </table>  		H	-	1.8	A	2.0	B	2.5	C	4.0
				H									
			-	1.8									
A	2.0												
B	2.5												
C	4.0												
8	<b>IT-1185BP2-G</b>	 	<table border="1"> <thead> <tr> <th></th> <th>H</th> </tr> </thead> <tbody> <tr> <td>-</td> <td>1.8</td> </tr> <tr> <td>A</td> <td>2.0</td> </tr> <tr> <td>B</td> <td>2.5</td> </tr> <tr> <td>C</td> <td>4.0</td> </tr> </tbody> </table>  		H	-	1.8	A	2.0	B	2.5	C	4.0
				H									
			-	1.8									
A	2.0												
B	2.5												
C	4.0												

**IT-1185 Series Tape & Reel Package Dimensions**



No.	Knob Length	W	C	Pitch	Min. Package Qty / Reel	Qty / Out-carton
1	1.8mm / 2.0mm / 2.5mm	12	5.5	8	3,000 pcs	60,000 pcs
2	4.0mm	12	5.5	8	2,000 pcs	40,000 pcs