

深圳市维拓精电科技有限公司
WTL International Limited

APPROVAL SHEET

DESCRIPTION :	3.2*1.5mm 2 Pads SMD Tuning Fork Crystal			
NOMINAL FREQ.:	32.768KHz			
WTL P/N:	WTL1X85270FO			
VERSION:	2			
DATE:	2022.04.21			
Customer	Customer P/N			
Promelectronica				
Customer Signature	WTL			
	Approved by:	<i>Kavin Liu</i>		
	Checked by:	<i>Shu Ping</i>		
	Issued by:	<i>colin zhan</i>		
REVISION HISTORY				
Revised Page	Revision Content	Date	Ref. No.	Reviser

CONTENT CATALOG

APPROVAL SHEET	P. 1
CONTENT CATALOG	P. 2
ELECTRICAL SPECIFICATIONS	P. 3
DIMENSIONS	P. 4
MARKING	P. 5
SUGGESTED REFLOW PROFILE	P. 5
RELIABILITY SPECIFICATIONS	P. 6
PACKING SPECIFICATIONS	P. 7
WTL PART NUMBER SYSTEM	P. 8

Attachment(s):

- 1.Product Specification Sheet
- 2.Electrical Testing Report
- 3.Reliability Report
- 4.ICP Test Report

FEATURES:

- Ultra small size 3.2×1.5×0.8 mm
- High reliability environmental performance
- High frequency stability and high precision
- Designed for automatic mounting and reflow soldering
- RoHS Compliant

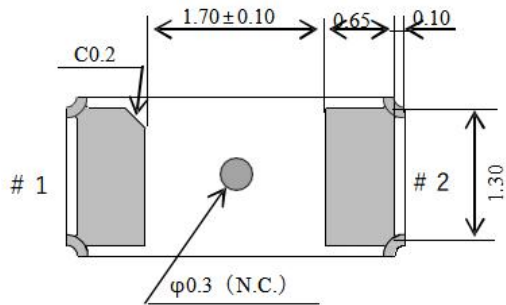
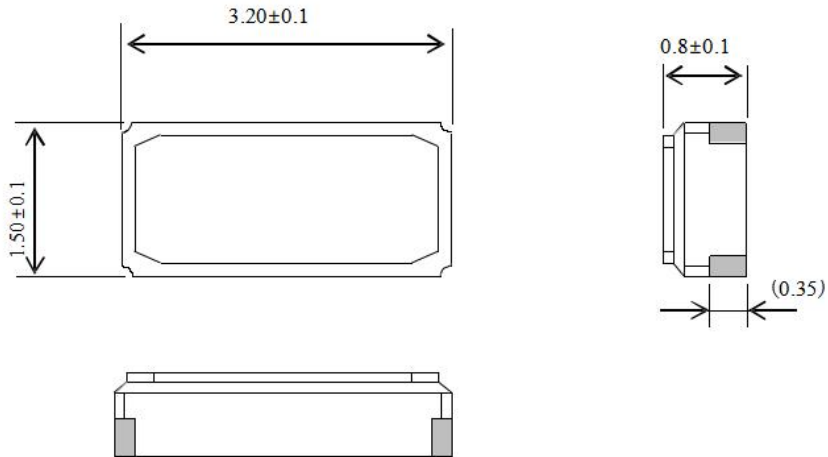


1. ELECTRICAL SPECIFICATIONS

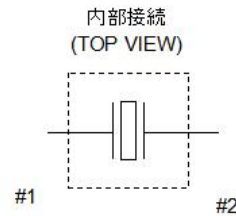
Hold Style	3.2X1.5MM SMD TUNING FORK CRYSTAL
Nominal Frequency	32.768KHz
Frequency Tolerance (at 25°C)	±20ppm
ESR	70 kΩ Max
Turnover Temperature	25 ± 5°C
Frequency Temperature Curve	-0.04 Max ppm/°C ²
Operating Temperature Range	-40 °C to + 85 °C
Storage Temperature Range	-55 °C to +125 °C
Shunt Capacitance (C ₀)	1.2pF Typ.
Dynamic Capacitance (C ₁)	3.4fF Typ.
Driver Level (Typical)	0.1μW
Driver Level(Max)	0.5μW
Load Capacitance(C _L)	7pF
Insulation Resistance	More than 500Mohms at DC100V
Aging @25°C 1 st year (Max)	±3ppm/year

REMARK: SPECIFICATIONS SUBJECT TO CHANGE WITHOUT PRIOR NOTICE. PLEASE CONFIRM WITH OUR SALES ENGINEER.

2. DIMENSIONS (Unit: mm)

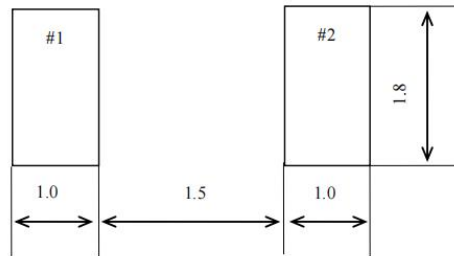


Internal connection

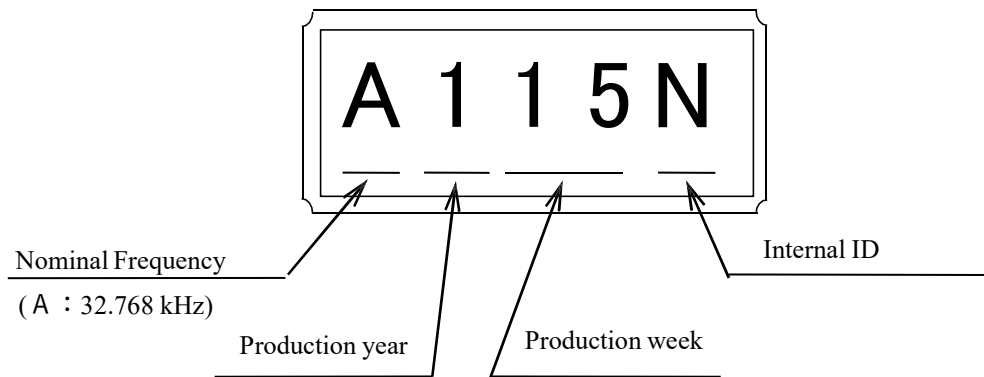


Terminal : Au plating

Suggested Layout



3. MARKING



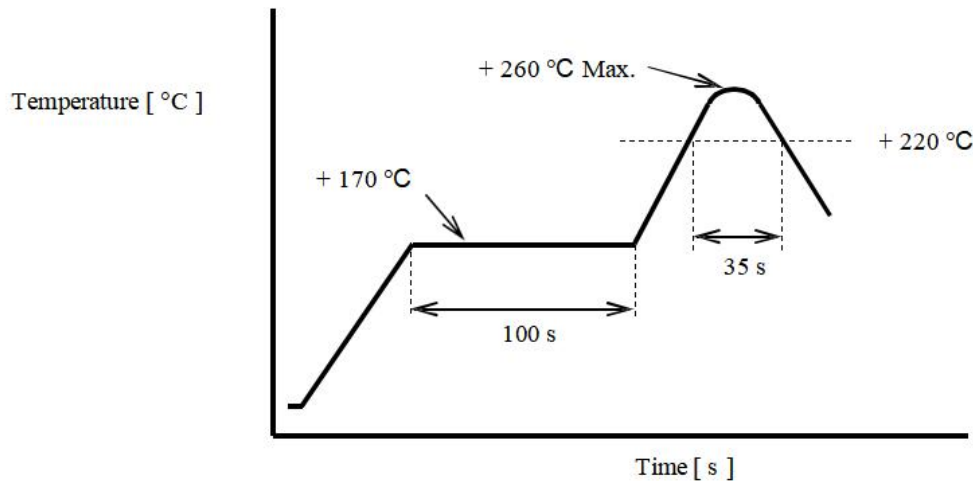
Marking Instruction:

The date code was marked on the crystal body, which will be easily traced back in case of quality issue.

4. SUGGESTED REFLOW PROFILE

Pre heating temperature : + 170 °C
Heating temperature : + 220 °C

Pre heating time : 100 s
Heating time : 35 s



5. RELIABILITY SPECIFICATIONS

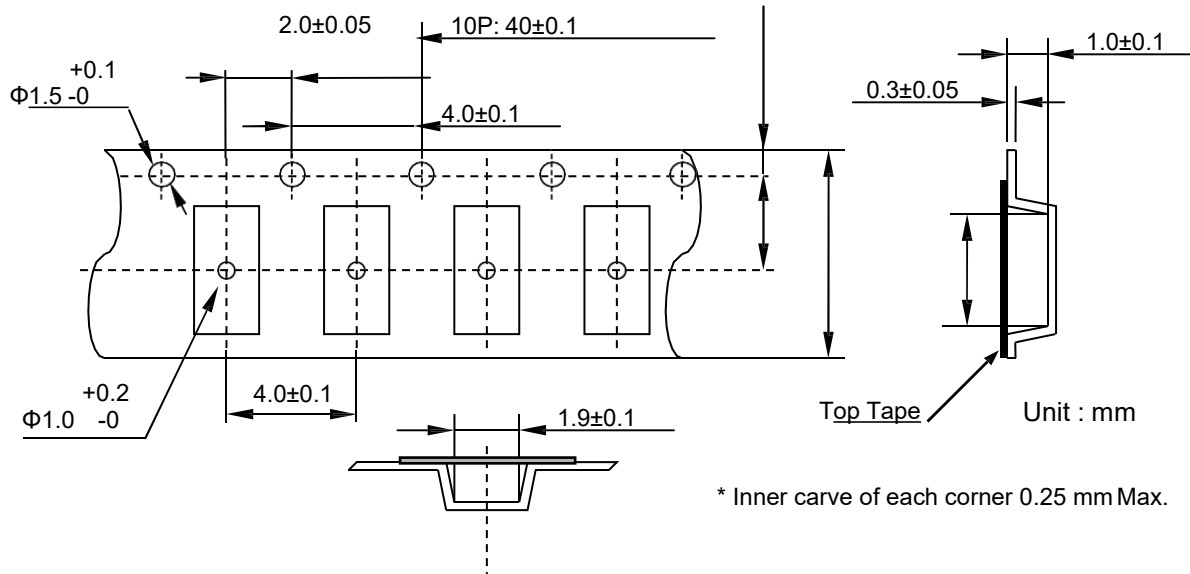
No.	Items	Value	Conditions
1	Shock resistance	*3 Δ f/f : $\pm 8 \times 10^{-6}$	100 g dummy, Natural drop from 1 500 mm height on to the concrete. 3 directions \times 10 times *2
2	Vibration resistance	*3 Δ f/f : $\pm 3 \times 10^{-6}$	10 Hz to 55 Hz amplitude 0.75 mm 55 Hz to 500 Hz acceleration 98 m/s ² 10 Hz \rightarrow 500 Hz \rightarrow 10 Hz 15 min./cycle 6 h (2 hours , 3 directions) *2
3	Soldering heat resistance	Δ f/f : $\pm 5 \times 10^{-6}$	For convention reflow soldering furnace (2 times)
4	High temperature storage	*3 Δ f/f : $\pm 10 \times 10^{-6}$	+ 125 °C \times 1 000 h *1
		*3 Δ f/f : $\pm 7 \times 10^{-6}$	+ 85 °C \times 1 000 h *1
5	Low temperature storage	*3 Δ f/f : $\pm 10 \times 10^{-6}$	- 55 °C \times 1 000 h *1
6	High temperature and humidity	*3 Δ f/f : $\pm 10 \times 10^{-6}$	+ 85 °C \times 85 %RH \times 1000 h *1
7	Temperature cycle	*3 Δ f/f : $\pm 10 \times 10^{-6}$	- 55 °C \leftrightarrow + 125 °C 30 minutes at each temperature \times 100 cycles *1
8	Sealing	*3 1 \times 10 ⁻⁸ hPa \cdot 1 / s Max.	For He leak detector
9	Shear	No peeling-off at a soldered part	20 N press for 10 \pm 1 s. Ref. IEC 60068-2-21
10	Pull - off	No peeling-off at a soldered part	20 N press for 10 \pm 1 s. Ref. IEC 60068-2-21
11	Substrate bending	No peeling-off at a soldered part	Bend width reaches 3 mm and hold for 5 s \pm 1 s \times 1 time Ref. IEC 60068-2-21
12	Solvent resistance	The marking shall be legible	Ref. JIS C 0052 or IEC 60068-2-45

< Notes >

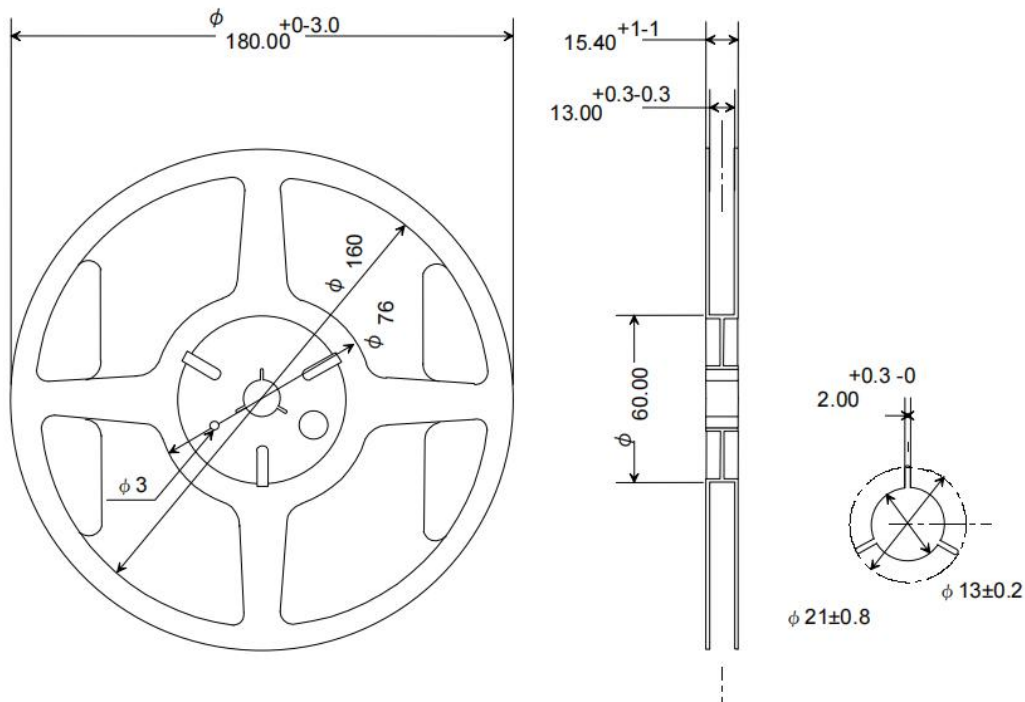
- *1 Each test done independently.
- *2 Measuring 2 h to 24 h later leaving in room temperature after each test. Drive level : 0.5 W
- *3 Pre conditionings(Treat the Reflow 2 times with the following profile) Initial value shall be after 24 h at room temperature. Shift of series resistance at before and after the test should be less than 20 % or less than 15k .
In case high temperature storage(+ 125 C 1 000 h), Soldering heat resistance, shift of series resistance at before and after the test should be less than 30 % or 20 k .

6.PACKING SPECIFICATIONS (Unit: mm)

TAPE SPECIFICATION:



OUTLINE DIMENSION:



Q'ty: 3000pcs/Reel

7.WTL PART NUMBER SYSTEM :

For example: WTL1X25270FO

[Instructions: for project management, WTL will trace back the part number to developer wherever it goes]

WTL - 1X - 25270 - FO

WTL: Brand

1X : Package Code

25270: Serial number , flow code , without any rules

FO: WTL Developer Code, for example: VH,CH,PZ,RZ,ML