

KST Series Thermostats



Models

KST-A, B, C, D, R

Certification

UL&CUL, TUV, CQC

Operating Temperature

Maximum Temp. 250°C

Tolerance

±5°C, ±10°C

(customizable)

Rest temperature

10°C to 30°C

(customizable)

Resistance in contacts

Less than 50mΩ

Hi-Pot test

1500vac 0.5mA 1min

Endurance

100,000 cycles

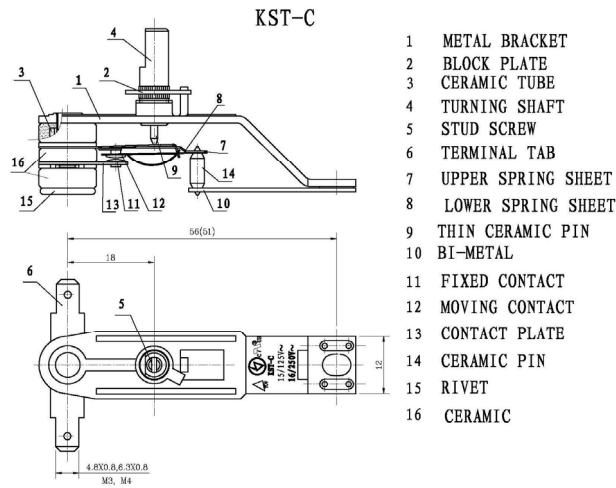
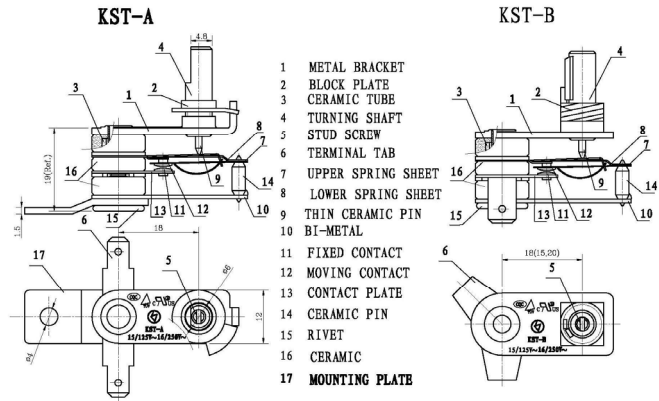
Insulation resistance

> 10MΩ

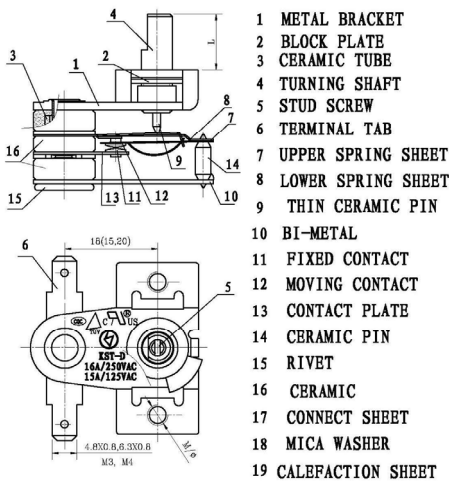
Rating

125V~ 15A 250V~ 16A

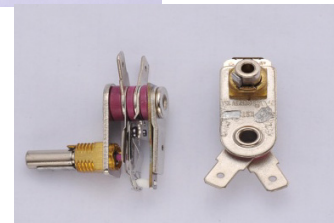
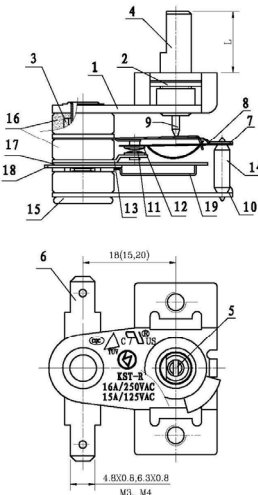
Construction (units in mm)



KST-D



KST-R



Ordering Information

Model No./ Temperature	Reset Temperature	Packaging	Qty