

Data sheet

Commercial Art.No.: 94.425.4004.7

Cable assembly BST14I2KF-S 50 40GN01

BST14i2 extension cable male - free end, length 4.0 m, 2 pole, coding KNX, 3 A, coding color green, strain relief color black, green, cross section 0.5 mm², cable type FB-2Y (ST) Y, fire class: Eca



Commercial Art.No.	94.425.4004.7
EAN	4015573459779
Order Unit	1

Certificates / Approvals



Technical data

General

Rated current	3 A
Rated voltage	50 V
Rated impulse voltage	0.8 kV
Pollution degree	2
Mechanical coding	yes
Lockable	self-locking (unlocking by hand)
Color of coding/ contact carrier	green
Marking of poles	1+, 2-
Color of housing inclusive strain relief	black

Model

Nominal cross section conductor	0.5 mm ²
Degree of protection (IP)	IP20
Wire strip length	9 mm
sheath strip length	21 mm
Preparation of conductor ends	stripped
Cable type	FB-2Y(ST)Y 2x2x0,8
Cable color	green
Cable diameter max.	6.1 mm
Version of cable	male - free end
Type of cord set	connection cable
Version cable end 1	free end
Version cable end 2	male

Material

Surface finish	Gilt
halogen free	No
Continuous temperature of cable	70 °C
Insulation components continuous temperature	100 °C
Fire load	0.678 kWh
Fire class	Eca

Dimensions

Total length	4 m
--------------	-----

Classification

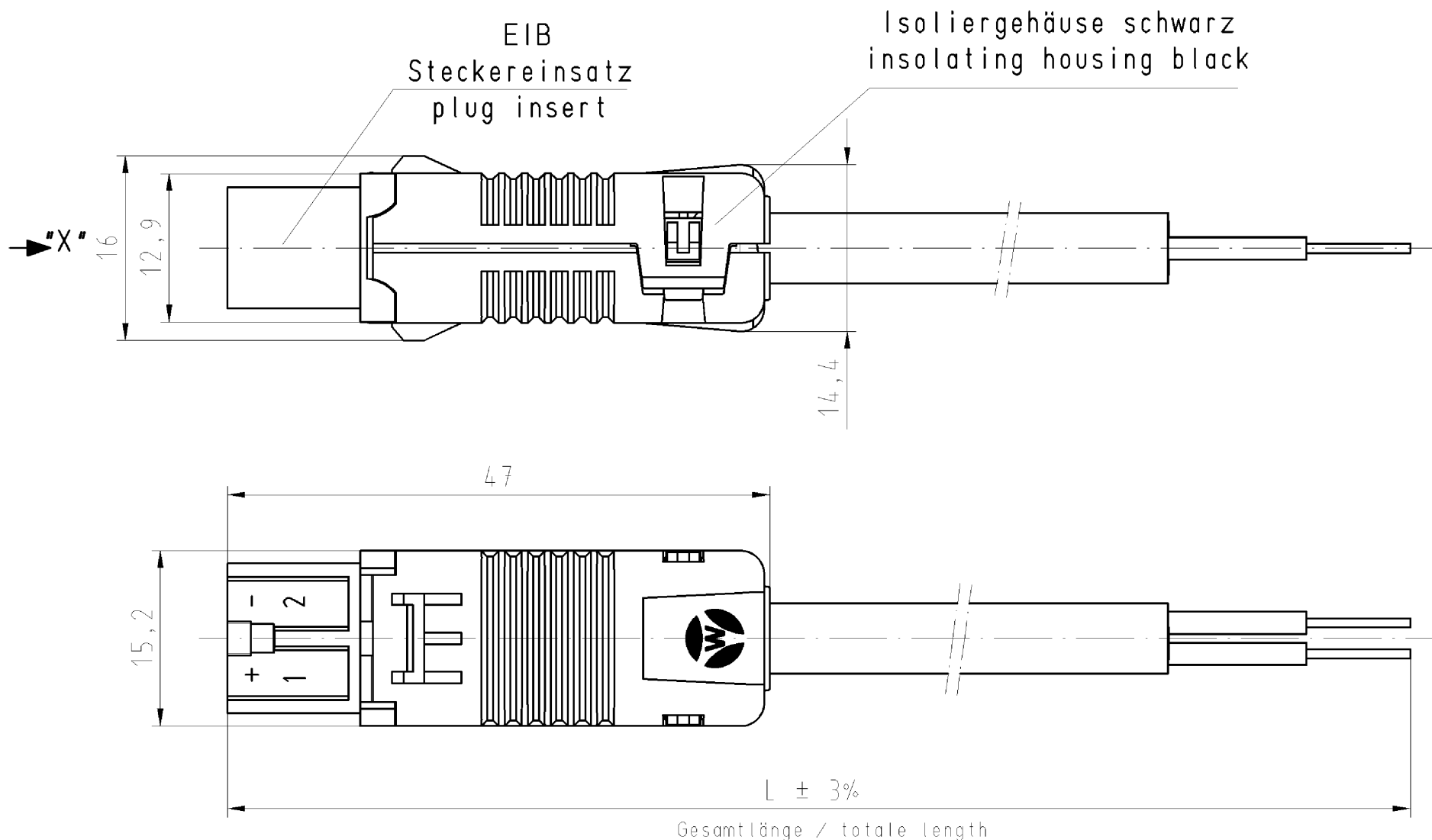
ECLASS 11	
ECLASS 8.1	27440604
ETIM 7.0	EC002587
ETIM 6.0	EC002587
ETIM 5.0	EC002587
ETIM 4.0	EC002587

Product compliance

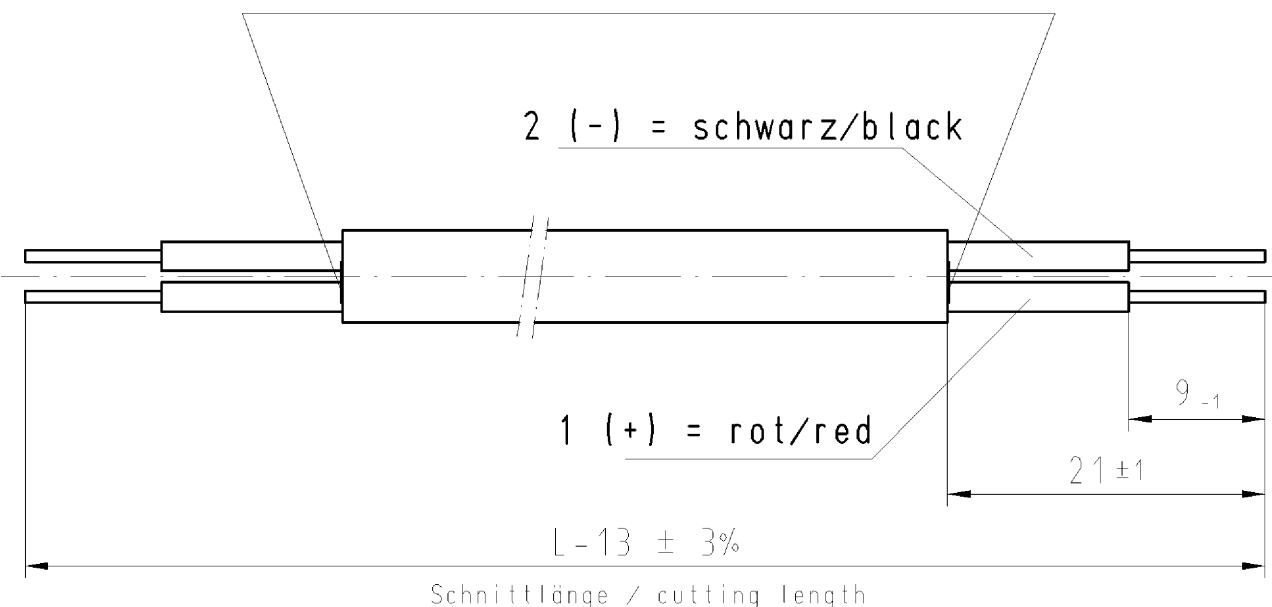
ROHS conformity status	Compliant
REACH-SVHC conformity status	Compliant

These dimensions will be especially checked at delivery
Only inspection dimensions
With /E marked dimensions are only valid for internal use

Diese Maße werden bei Abnahme besonders geprüft
Ausschließlich Prüfmaße
Mit /E gekennzeichnete Maße sind nur für interne Zwecke gültig



Der weiße und gelbe Leiter sowie der Beilaufdraht ist um 21 mm gekürzt.
The white and yellow conductor as well as the filter wire will be shorted about 21mm



.F	Steckereinsatz plug insert	Kabel / cable	Codierung "X"
.7	Farbe: grün colour: green	Farbe: grün colour: green	
.9	Farbe: pastellblau colour: pastel blue	Farbe: grau colour: grey	

(a)

Weitergabe sowie Vervielfältigung...
The reproduction, distribution and utilization of this document as well as the communication of its contents to others without express authorization is prohibited.

Teile-Nr. part-no.	L	Beispiel (Farbe: grün) example (colour: green)	Typ type
94.425.XX04.F	XX in dm-Schritten	94.425.1004.7 = 10dm/L= 1000mm	BST1412KF-S 50 10GN01
U4.425.XX04.F	XX in m-Schritten	U4.425.1204.7 = 12 m/L=12000mm	BST1412KF-S 50 X12GN01

Typ/type: BST1412KF-S 50 GN01 = grün / green
PB02 = pastellblau / pastel blue

Weitere Daten siehe Katalog
further data see catalog

Tolerierung nach DIN 7167/Tolerance system acc. to DIN 7167. (This DIN-standard describes the envelope principle. According to the envelope principle the deviations of form and parallelism are limited by the size tolerances).		ja/yes <input checked="" type="checkbox"/> Stoffverbots- und Deklarationsliste nach UU-TQM-05/03 ist einzuhalten. Conformity with Wieland document UU-TQM-05/03 (list of prohibited / declarable hazardous substances) to be declared!	
Freitoleranz nach - General tolerance		CAD - Zeichnung, keine manuellen Änderungen CAD - drawing, no manual modifications allowed	1. Verwendung: - First Use:
Werkstoff/Material		2005 Tag/Date	Name
Maßstab/Scale		gezeichnet/drawn	24.05. Schmitt J.
2:1		geprüft/checked	-
Vol.		Normgepr. Stand. check	-
mm ³ Ofl./Surf.		Ersatz für/Replacement for: -	
a 06.06.2006/		Type	
Index Datum / Blatt Date / Sheet		Benennung/Title	
Änderung/Revision		KONFEKT_LEITUNG	
wieland		Niedervolt 50V - 3A 0,5 qmm Stecker-freies Ende connection lead male-free end	
Elektrische Verbindungen		Maße in mm/Dimensions are in mm	
Blatt: 1 von 1 Sheet: of 1		Zeichnung Nr./Drawing No. 94.425.0204.7 01K a	

944250204701K_4_CADW1044_treschan.2006-06-07T09:19:41 1.000