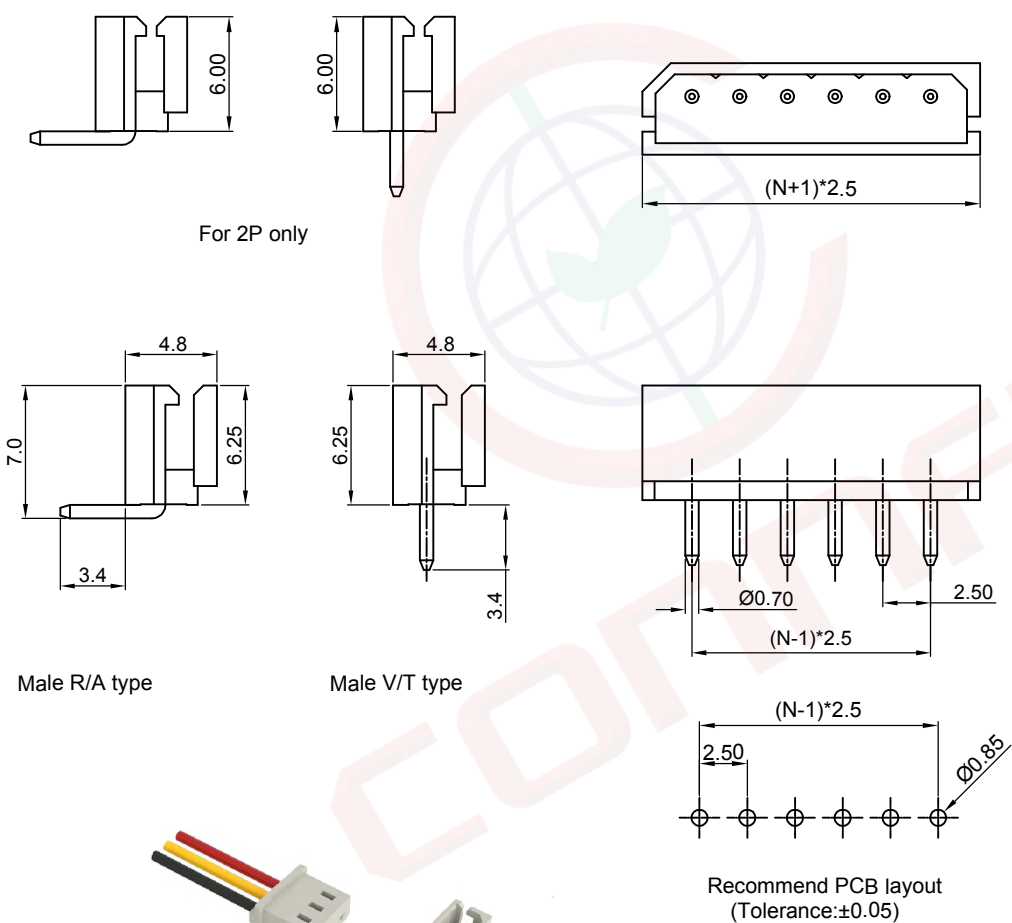


The information provided herein is from CONNELY Electronic Co., Ltd. and is confidential. Any disclosure to a party other than the recipient is prohibited. The intellectual properties and its rights contained herein, including but not limited to, trademarks, patents, copyrights, trade secrets, and technical know-how, are owned exclusively by CONNELY or its affiliates. Unauthorized use of this information in any format or manner. CONNELY may enforce its intellectual property rights at its own discretion; failures or delays to exercise such rights does not constitute a waiver of such rights.

1 2 3 4 5 6 7 8

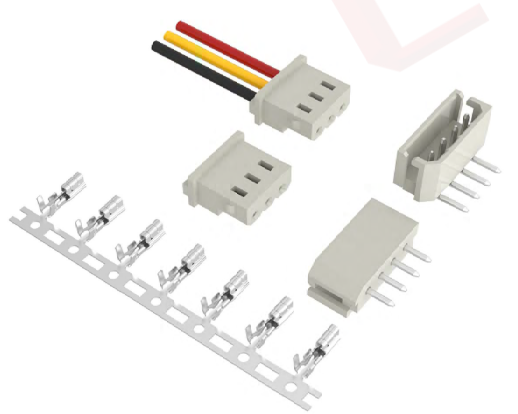
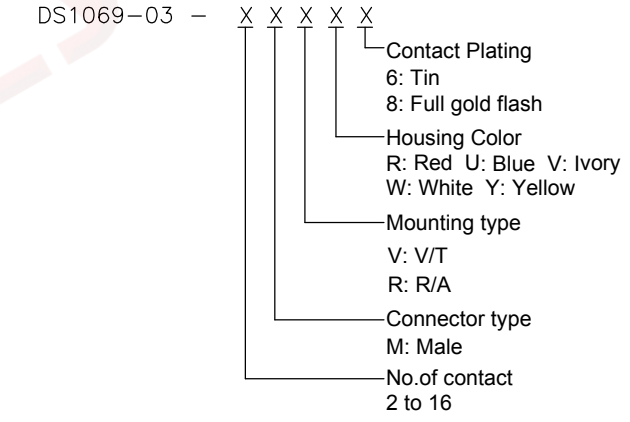
REV.	DESCRIPTION	DRAWN	CHECKED	APPROVED
A	NEW RELEASE	LL 07/22/06'		LJC 07/22/06'
D	DRAWING UPDATE	JLZ 10/25/19'		
E	DRAWING UPDATE	JLZ 01/24/22'		



**NOTES:**

- SPECIFICATIONS**
  - Housing material: NYLON 66
  - Wire range: AWG#26~#22
  - Rated voltage: 250V
  - Rated current: 3A(22AWG)
  - Contact resistance: 30mΩ Max
  - Insulation resistance: 1000MΩ Min
  - Withstanding voltage: 500V, AC 1 minute
  - Temperature range: -25 ~ +85°C
  - Recommend PC board thickness: 1.6mm

**2. PRODUCT NUMBER CODE:**



(Series Image-Reference Only)

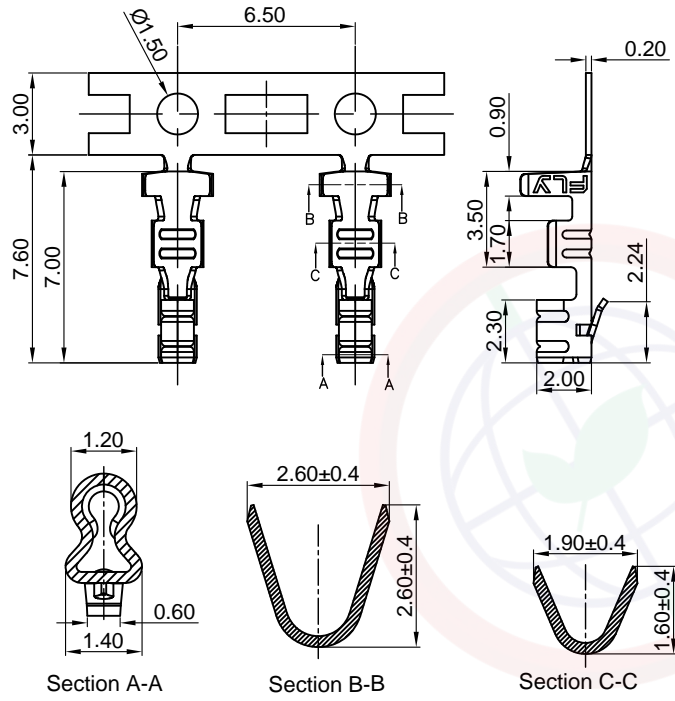
GENERAL TOLERANCE		ANGLE TOLERANCE		PROJECTION		TITLE	2.50mm Wafer Type	
X.	±0.60	X.	±5°	UNITS	mm			
.X	±0.38	.X	±3°	SHEET SIZE	A4	SERIES	DS1069-03 SERIES	
.XX	±0.25	.XX	±2°	<b>晨翔电子有限公司</b> <b>CONNELY CONNELY ELECTRONIC CO. LTD</b>				
DRAWING TYPE		CUSTOMER						
SCALE	1:1	SHEET	1 OF 2					
DRAWING NO.		C-DS1069-03-XXXXX-E						

1 2 3 4 5 6 7 8

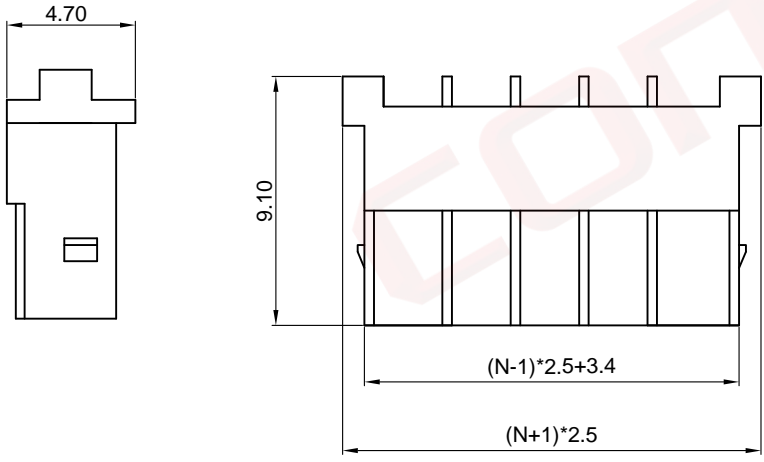
Dept  
Qty  
DC 1  
ED 1  
IE 1  
ISO 1  
PD 1  
R&D 1  
SD 1  
QA 1  
QC 1  
QF 1

The information provided herein is from CONNELY Electronic Co., Ltd. and is confidential. Any disclosure to a party other than the recipient is prohibited. The intellectual properties and its rights contained herein, including but not limited to, trademarks, patents, copyrights, trade secrets, and technical know-how, are owned exclusively by CONNELY or its affiliates. Unauthorized use or reproduction of any part of this document is strictly prohibited. CONNELY may enforce its intellectual property rights at its own discretion, failures or delays to exercise such rights does not constitute a waiver of such rights.

Female Terminal



Female Housing



REV.	DESCRIPTION	DRAWN	CHECKED	APPROVED
A	NEW RELEASE	LL 07/22/06'		LJC 07/22/06'
D	DRAWING UPDATE	JLZ 10/25/19'		
E	DRAWING UPDATE	JLZ 01/24/22'		

NOTES:

- Specifications
  - . Housing material: Nylon 66
  - . Wire range: AWG#26~#22
  - . Rated voltage: 250V
  - . Rated current: 3A(22AWG)
  - . Contact resistance: 30mΩ Max
  - . Insulation resistance: 1000MΩ Min
  - . Withstanding voltage: 500V, AC 1 minute
  - . Temperature range: -25 ~ +85°C
  - . Recommend PC board thickness: 1.6mm
- Product number code:

Female Terminal  
T - DS1069-03 - S C 6 0 0

Contact Plating  
6: Tin

Female Housing  
I - DS1069-03 - S C X 0 X

No. of holes  
02~16  
Housing Color  
W: White

GENERAL TOLERANCE		ANGLE TOLERANCE		PROJECTION		TITLE
X.	±0.60	X.	±5°	UNITS	mm	2.50mm Terminal & Housing Type
.X	±0.38	.X	±3°	SHEET SIZE	A4	SERIES DS1069-03 SERIES
.XX	±0.25	.XX	±2°	<b>晨翔电子有限公司</b> CONNELY CONNELY ELECTRONIC CO. LTD		
DRAWING TYPE		CUSTOMER				
SCALE	1:1	SHEET	2 OF 2			
DRAWING NO.		C-DS1069-03-XXXXX-E				