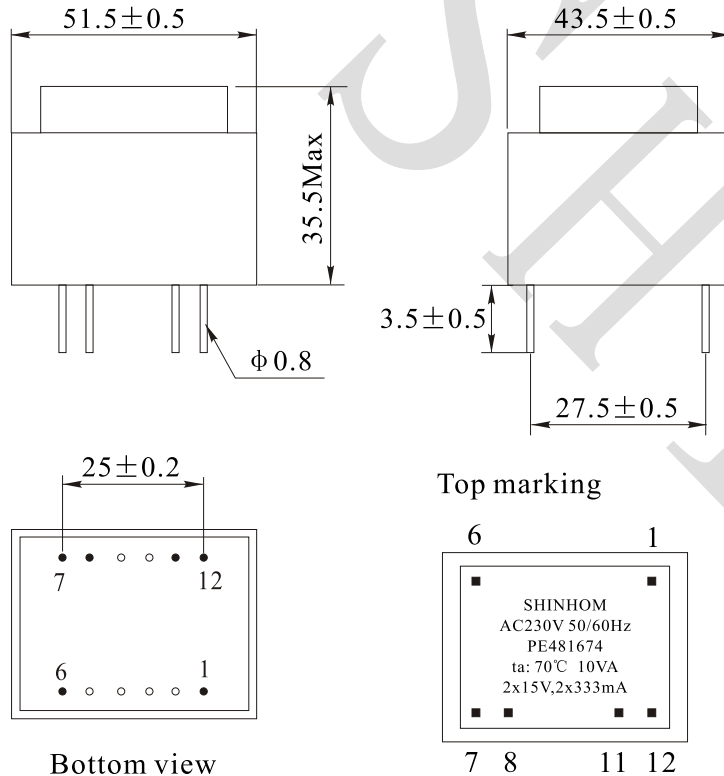
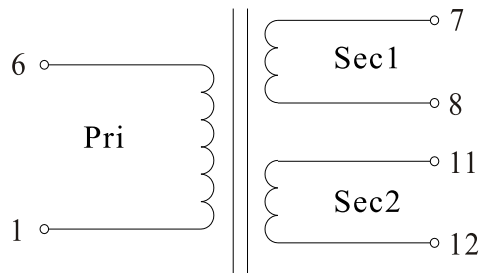


Rev.	Description	Date
A0	New release	2022.11.17

1. PHYSICAL CHARACTERISTICS (mm)



2. ELECTRONICAL SCHEMATIC



3. ELECTRONICAL SPECIFICATIONS

Pri voltage: 230V, 50Hz

Load voltage: Sec1: 15.0V ± 5% V @ 333mA
Sec2: 15.0V ± 5% V @ 333mA

No-load voltage: Sec1: 18.5V ± 5%
Sec2: 18.5V ± 5%

Output Power: 10VA

Hi-Pot: 4000V, 50Hz, 1mA, 10S Pri to Sec

Note:

- Solderability: leads shall meet MIL-STD-202, Method 208D for solderability.
- Flammability: UL94V-0
- ASTM oxygen index: >28%

NAME:	Potting Transformer		
CUSTOMER P/N:	BV EI481 1324	DATE:	2022-11-17
SHINHOM P/N:	PE481674	REV: A0	PAGE
DRAWN BY	CHECKED BY	APPROVE BY	



SHINHOM
SHAANXISHINHOM ENTERPRISE CO LTD

The Document property belongs to SHINHOM & is not allowed to be duplicated without authorization