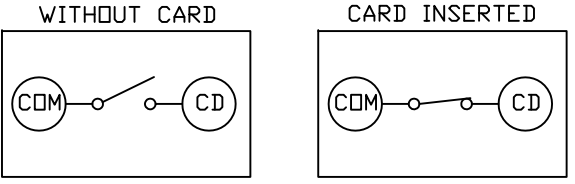
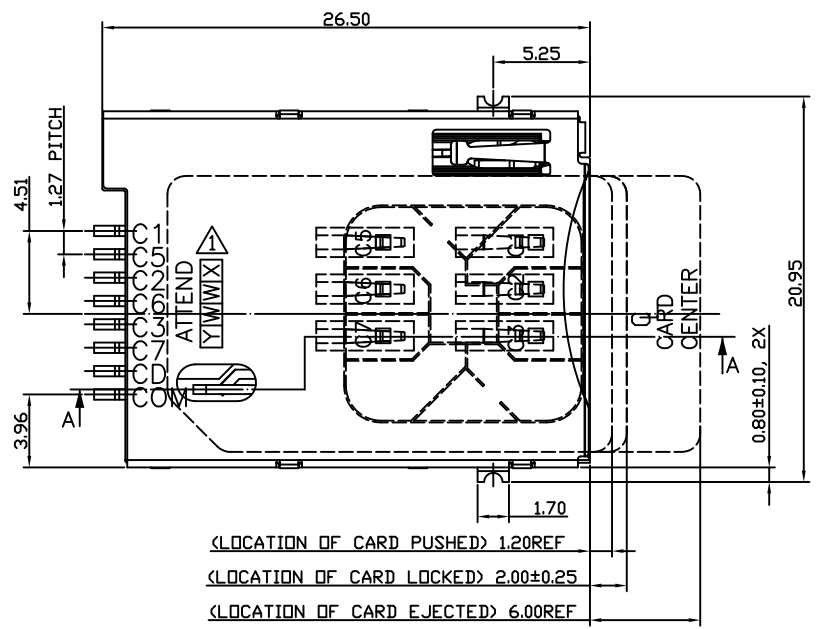
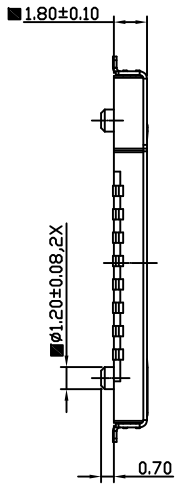
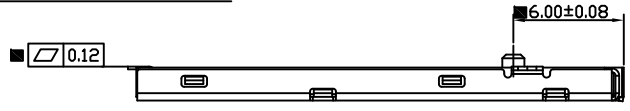


1 2 3 4 5 6 7 8 9 10

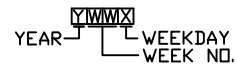
G  
F  
E  
D  
C  
B



CARD DETECT SW. STATUS.

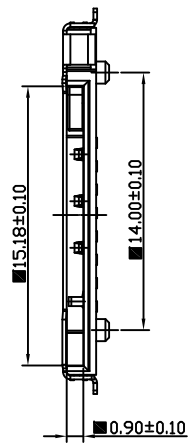


- NOTES:
1. MATERIAL:  
HOUSING: LCP+30% G.F., UL 94V-0 RATED, COLOR BLACK.  
CONTACTS: COPPER ALLOY.  
SHIELD COVER: SUS304, 0.2T.
  2. PLATING:  
CONTACT AREA: HARD GOLD PLATING OVER 1.27  $\mu\text{m}$  ( $50 \mu\text{m}$ ) MIN, NICKEL UNDERPLATING.  
SOLDERING ZONE: 3.05  $\mu\text{m}$  ( $120 \mu\text{m}$ ) MIN. 100% TIN, OR LEAD-FREE PLATING PER PART NUMBER DESIGNATION, OVER NICKEL UNDERPLATING.  
SHIELD COVER: GOLD FLASH NICKEL UNDERPLATING.  
UNDERPLATING: 1.27  $\mu\text{m}$  ( $50 \mu\text{m}$ ) MIN. NICKEL ALLOVER.
  3. CUTTING BURR ALLOWED: 0.03mm MAX.
  4. THE DIMENSIONS MARKED WITH "■" ARE CRITICAL DIMENSIONS.
  5. COPLANARITY IS 0.10mm MAX.
  6. RoHS COMPLIANT PRODUCTS.
  7. DATE CODE MARKING:



PRODUCT NUMBER:  
115A-A D A 0-R02  
1 2 3 4 5

- 1.Type  
A:6 Pin
- 2.Contact Plating  
D:10u"Gold Plating
- 3.Stand Off  
A:0mm
- 4.Peg Type  
0:w/Peg
- 5.RoHS



PARTS LIST

ITEM	DESCRIPTION	QTY(PC'S)
1	HOUSING	1
2	SLIDER	1
3	MAIN CONTACT	1
4	COM CONTACT	1
5	CD CONTACT	1
6	METAL COVER	1
7	CRANK	1
8	SPRING	1

REV.	DESCRIPTION	DATE	REV.	DESCRIPTION	DATE	SIZE	REV.	FILE NAME
1	Revise:					A4	1.0	115A-ADA0-R02_B_3
2	Revise: pin definition	2010/10/11						
3	Revise: date code marking	2009/11/25						

UNLESS OTHERWISE SPECIFIED TOLERANCE		
ANGLES	ANG.	±5°
LINEAR	0.	±0.3
	0.0	±0.25
	0.00	±0.20
SCALE	AS SHOWN	UNIT: mm
DRAWN	Willis	2012/08/03
CHECKED	Angel	2012/08/03
APPROVED	Ken	2012/08/03

www.attend.com.tw

DRAWN NAME: SIM Card Socket 6+2Pin Push-Push Type

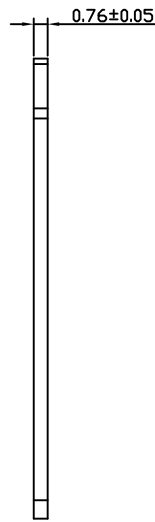
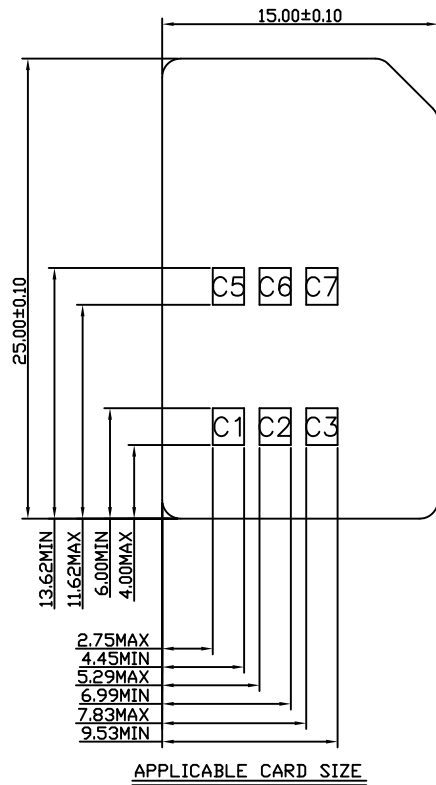
PRODUCT NO. 115A-ADA0-R02

FILE NAME 115A-ADA0-R02\_B\_3

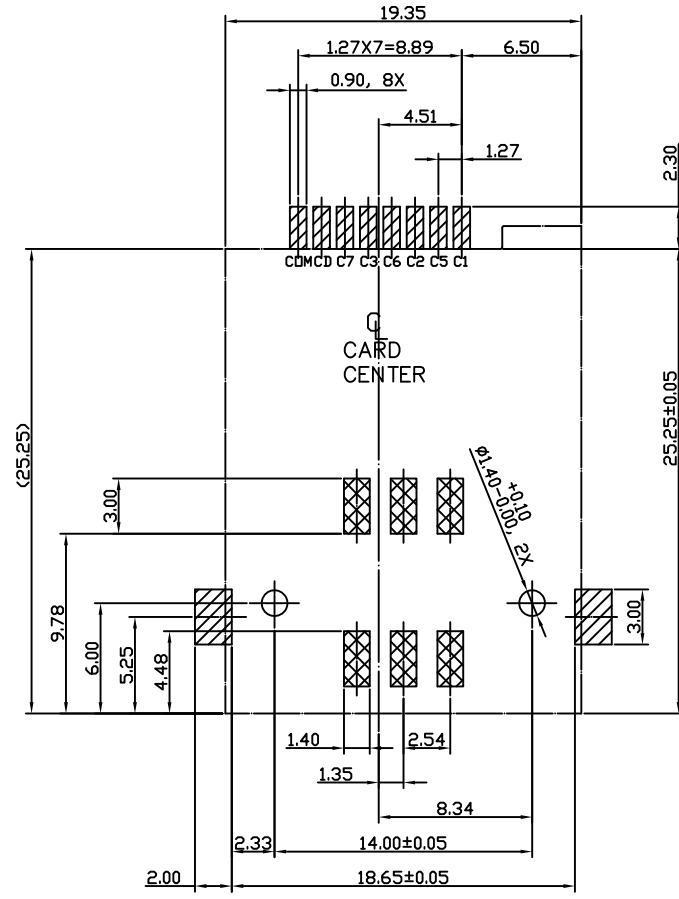
A

A

1 2 3 4 5 6 7 8 9 10



PIN DEFINITION						
NAME	C1	C2	C3	C5	C6	C7
TYPE	Vcc	RST	CLK	GND	Vpp	I/O



**RECOMMENDED PCB LAYOUT**

— TRACER PROHIBITION AREA

UNLESS OTHERWISE SPECIFIED TOLERANCE		
ANGLES	ANG.	±5°
LINEAR		±0.3
		±0.25
		±0.20
SCALE	AS SHOWN	UNIT: mm
DRAWN	Willis	2012/08/03
CHECKED	Angel	2012/08/03
APPROVED	Ken	2012/08/03

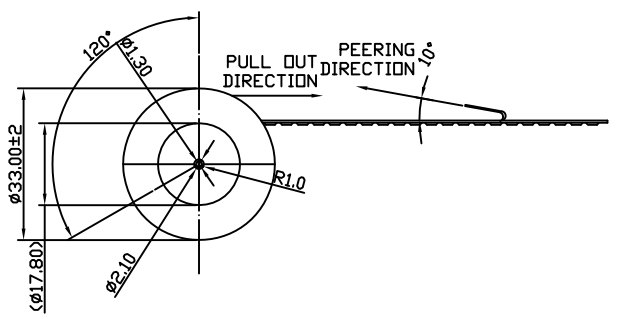
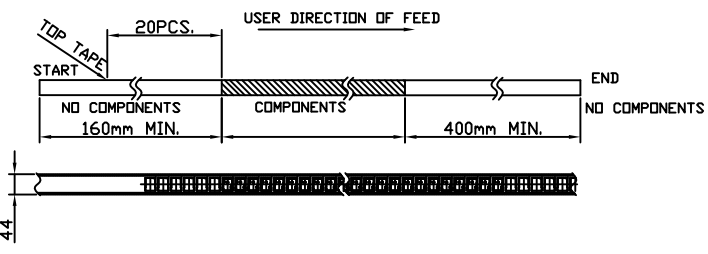
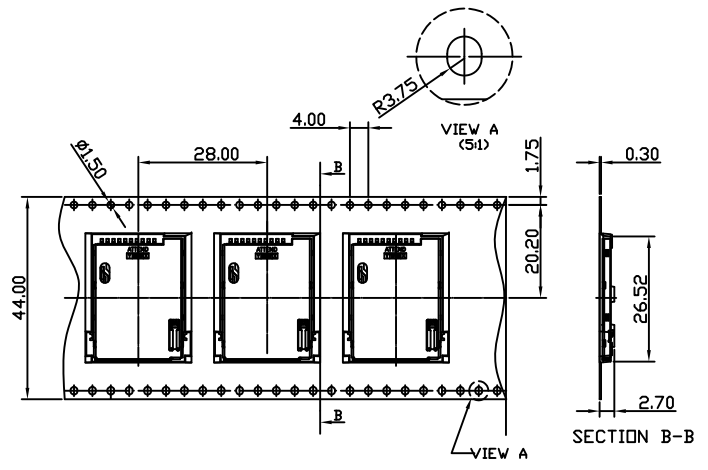


www.attend.com.tw

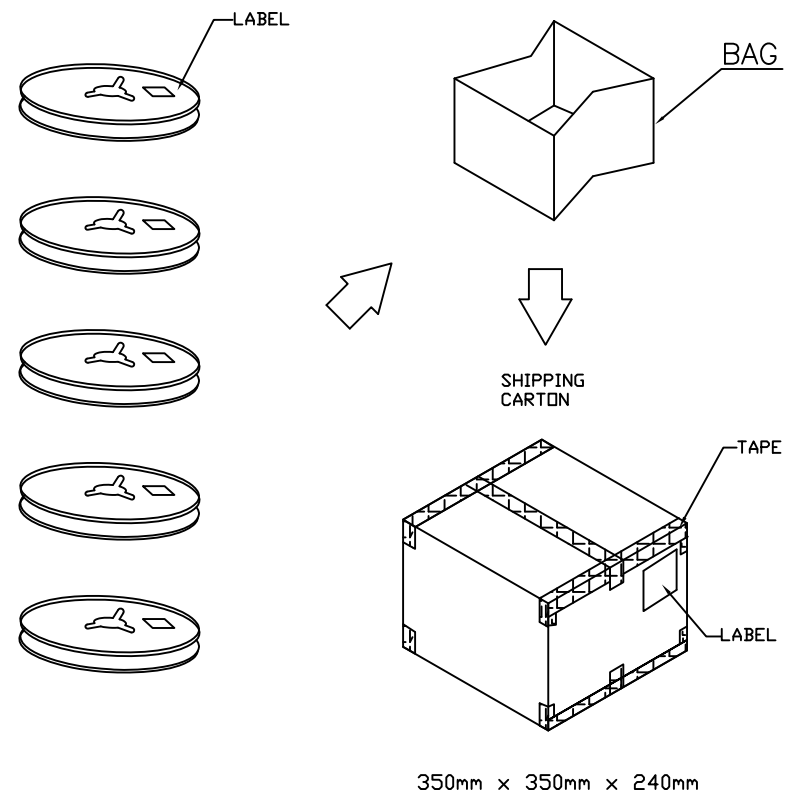
REV.	DESCRIPTION	DATE	REV.	DESCRIPTION	DATE	SIZE	REV.	FILE NAME
						A4	1.0	115A-ADA0-R02_B_3

△	Revise:							
△	Revise: pin definition				2010/10/11			
△	Revise: date code marking				2009/11/25			

DRAWN NAME:		115A-ADA0-R02	
SIM Card Socket 6+2Pin Push-Push Type		PRODUCT NO.	
		115A-ADA0-R02	
		FILE NAME	
		115A-ADA0-R02_B_3	



NOTE:  
 1. 115A SERIES STANDARD PACKING: 500 PCS/REEL  
 2. 5 REEL/SHIPPING CARTON



REV.	DESCRIPTION	DATE	REV.	DESCRIPTION	DATE	SIZE	REV.	FILE NAME
1			2			A4	1.0	115A-ADA0-R02_D_2
3			4					
5			6					
7			8					
9			10					

UNLESS OTHERWISE SPECIFIED TOLERANCE			DRAWN NAME:	
ANGLES	ANG.	±5°	SIM Card Socket 6+2Pin Push-Push Type	
LINEAR	0.	±0.3	PRODUCT NO.	115A-ADA0-R02
	0.0	±0.25	FILE NAME	115A-ADA0-R02_D_2
	0.00	±0.20		
SCALE	AS SHOWN	UNIT: mm	www.attend.com.tw	
DRAWN	Willis	2012/08/03	DRAWN NAME:	
CHECKED	Angel	2012/08/03		
APPROVED	Ken	2012/08/03		
2010/10/11				
2009/11/25				



www.attend.com.tw  
 DRAWN NAME:  
 SIM Card Socket 6+2Pin Push-Push Type  
 PRODUCT NO. 115A-ADA0-R02  
 FILE NAME 115A-ADA0-R02\_D\_2