



宁波速普电子有限公司

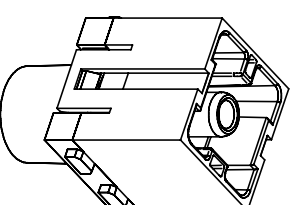
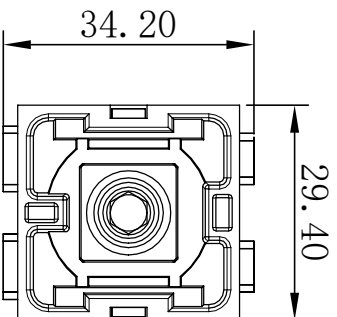
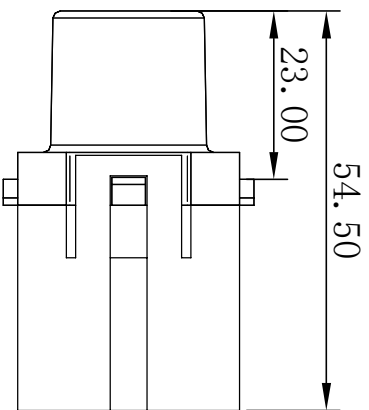
NINGBO SUPU ELECTRONICS.CO.,LTD

产品规格书

Product Specification

		HMK-001.X			
接插体/Inserts		25	35	50	70
mm ²	25	35	50	70	
N.m	8	8	9	10	

额定电流/Rated current	200A
额定电压/Rated voltage	1000V
污染等级/Pollution degree	3
额定脉冲耐受电压/Rated surge voltage	8KV
绝缘电阻/Insulation resistance	≥10 ¹⁰ Ω
材料/Material	PC
使用环境温度/Usage ambient temperature	-40℃ - +125℃
阻燃等级/Flame retardant rating	V0
可插拔次数/Mechanical working life	≥500
UL/CSA额定电压/Rated voltage acc. to UL/CSA	600V
接插针/Contacts	
材料/Material	铜/Copper alloy
镀层/Coating	镀金/Au 镀银/Ag
接触电阻/Contact	≤0.2mΩ
接线形式/Connection	轴向螺栓/Axial bolt
导线规格/Wire gauge	40-70mm ² AWG 2-0
拧紧力矩/Tightening torque	见表
剥线长度/Stripping length	/



单位/Unit	mm	Rev. 01	订货号 PART NUMBER	SMK-001.2-M