



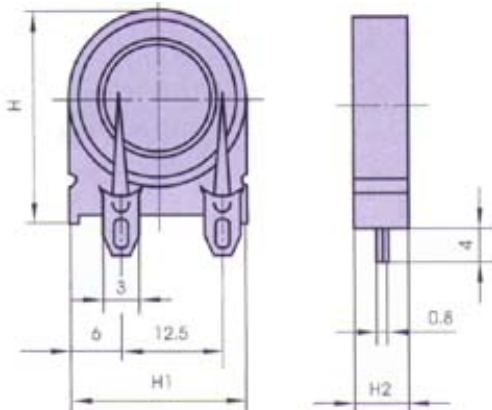
• TFM-57-<sub>1</sub>(57-<sub>2</sub> 57B)



**FEATURES:**

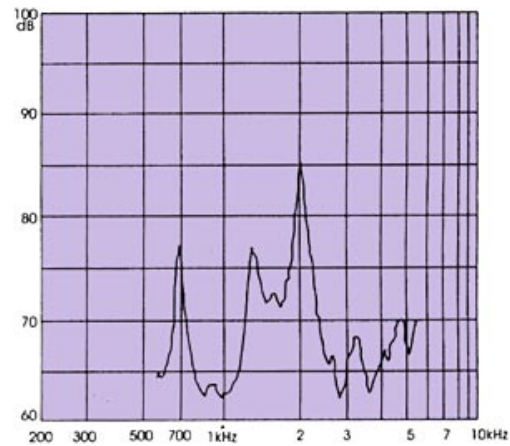
- Small size
- Light weight
- Low consumption
- Clear sound

**DIMENSIONS: (Unit: mm)**



TFM-57-<sub>1</sub> (57-<sub>2</sub>): H=26.5 H1=22 H2=7  
 TFM-57B: H=27 H1=22.2 H2=7.1

**CHARACTERISTICS:**



TFM-57-1 3V<sub>P-P</sub> Square Wave /10cm

**ELECTRICAL SPECIFICATIONS :**

Model No.	TFM-57- <sub>1</sub>	TFM-57- <sub>2</sub>	TFM-57B
Min. Sound Pressure Level (dB)	70 /2.0kHz/3V <sub>P-P</sub> Square Wave /10cm	70 /2.0kHz/3V <sub>P-P</sub> Square Wave /10cm	82 /2.7kHz/10V <sub>P-P</sub> Square Wave /30cm
Max. Consumption (mA)	1.2 /2.0kHz/3V <sub>P-P</sub> Square Wave	1.2 /2.0kHz/3V <sub>P-P</sub> Square Wave	4 /2.7kHz/10V <sub>P-P</sub> Square Wave
Resonant Frequency (kHz)	2.0 ± 0.3		2.7 ± 0.3
Capacitance at 120Hz (nF)	30 ± 30%		24 ± 30%
Allowable Input Voltage (V <sub>P-P</sub> )	25		
Operating Temperature (°C)	-20 ~ +70	-20 ~ +125	-20 ~ +70
Weight (g)	3 g		
Case Material/Colour	PA6/Black		

**PACKING INFORMATION :**

Packing :	2500 pcs per export carton
Carton Size :	47 X 30.5 X 33 cm
G. Weight :	9.0 kgs
N. Weight :	7.5 kgs

• **TFM-59DA<sub>1</sub>(DA<sub>2</sub>)**

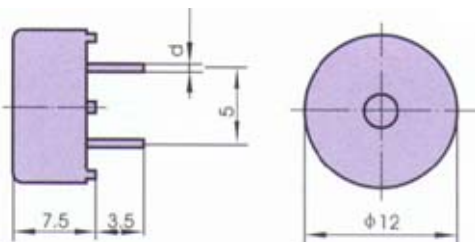


**FEATURES:**

- Super mini size
- Low current consumption
- High output

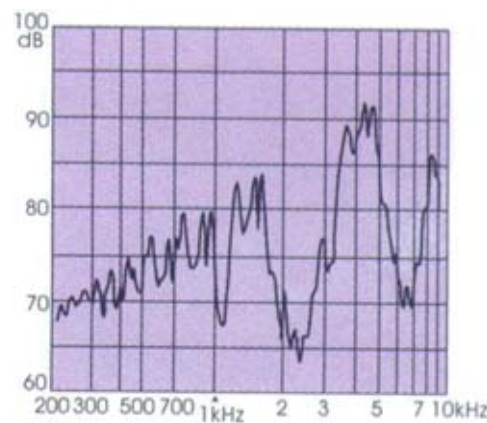
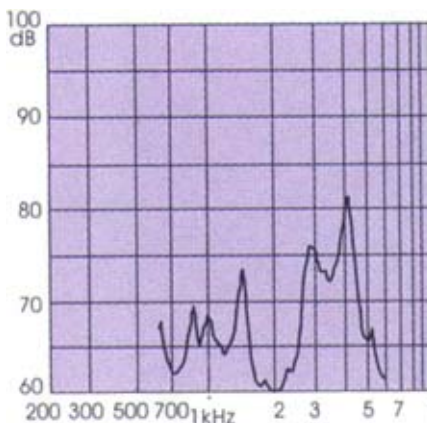
<b>TFM59DA-1</b>	d=Ø0.8
<b>TFM-59DA-2</b>	d=Ø0.7

**DIMENSIONS: (Unit: mm)**



**TFM-59D**

**CHARACTERISTICS:**



**TFM-59DA-1 3V<sub>p-p</sub> Square Wave /10cm TFM-59DA-2 12V<sub>p-p</sub> Square Wave /10cm**

**ELECTRICAL SPECIFICATIONS :**

<b>Model No.</b>	<b>TFM-59DA-1</b>	<b>TFM-59DA-2</b>
Min. Sound Pressure Level (dB)	70/4.0kHz/3V <sub>p-p</sub> Square Wave /10cm	80/4.0kHz/12V <sub>p-p</sub> Square Wave /10cm
Max. Consumption (mA)	3/4.0kHz/3V <sub>p-p</sub> Square Wave	6/4.0kHz/12V <sub>p-p</sub> Square Wave
Resonant Frequency (kHz)	4.0 ± 0.5	
Capacitance at 1000Hz (nF)	11 ± 30%	
Allowable Input Voltage (V <sub>p-p</sub> )	25	
Operating Temperature (°C)	-20 ~ +70	
Weight (g)	1	
Case Material/Colour	PC/Black	

**PACKING INFORMATION :**

Packing :	5000 pcs per export carton
Carton Size :	47 X 30.5 X 25 cm
G. Weight :	6.5 kgs
N. Weight :	5 kgs