

Data sheet

Commercial Art.No.: 96.152.2053.6

Device connector RST20i5C S1 M00VA TB0

RST20i5 device connector M20, 5 pole, male, for crimp contacts, modular, application 250V with PE, 20A, coding color turquoise blue, color of housing black



Commercial Art.No.	96.152.2053.6
EAN	4015573934160
Order Unit	1

Certificates / Approvals



Technical data

General

Rated current	20 A
Rated voltage	250 V
Pollution degree	3
Rated impulse voltage	4 kV
Lockable	self-locking (unlocking by tool)
Color of coding/ contact carrier	turquoise blue
Marking of poles	D1, D2, L, PE, N
Color of separate adapter (if present)	black

Connection Data

Connection cross section fine stranded mm ² max.	4 mm ²
Connection cross section fine stranded mm ² min.	0.75 mm ²
Terminations per pole	1
Wire strip length	7 mm
Connection cross section stranded AWG min.	18 AWG
Connection cross section stranded AWG max.	12 AWG

Model

Model	male
Connection type	Crimp
Connecting thread metric	M20
Angle of plug	straight
Degree of protection (IP)	IP66/68 (3m;2h) /IP69
Thickness of housings (electrical device) 2	0.5 mm

Thickness of housings (electrical device)	8 mm
---	------

Material

Housing material	Polyamide
halogen free	yes
Contact material	CuZn
Fire load	0.201 kWh
Insulation components continuous temperature	100 °C
Surface finish	Silver-plated

Dimensions

Length	66.2 mm
Width	34.6 mm
Height	34.6 mm

Classification

ECLASS 11	
ECLASS 8.1	27440602
ETIM 7.0	EC002566
ETIM 6.0	EC002566
ETIM 5.0	EC002566
ETIM 4.0	EC002566

Note

Note	Crimp contacts have to ordered separately (under fits with); Positioning realised with flattened thread
------	--

Product compliance

ROHS conformity status	Compliant
REACH-SVHC conformity status	Compliant

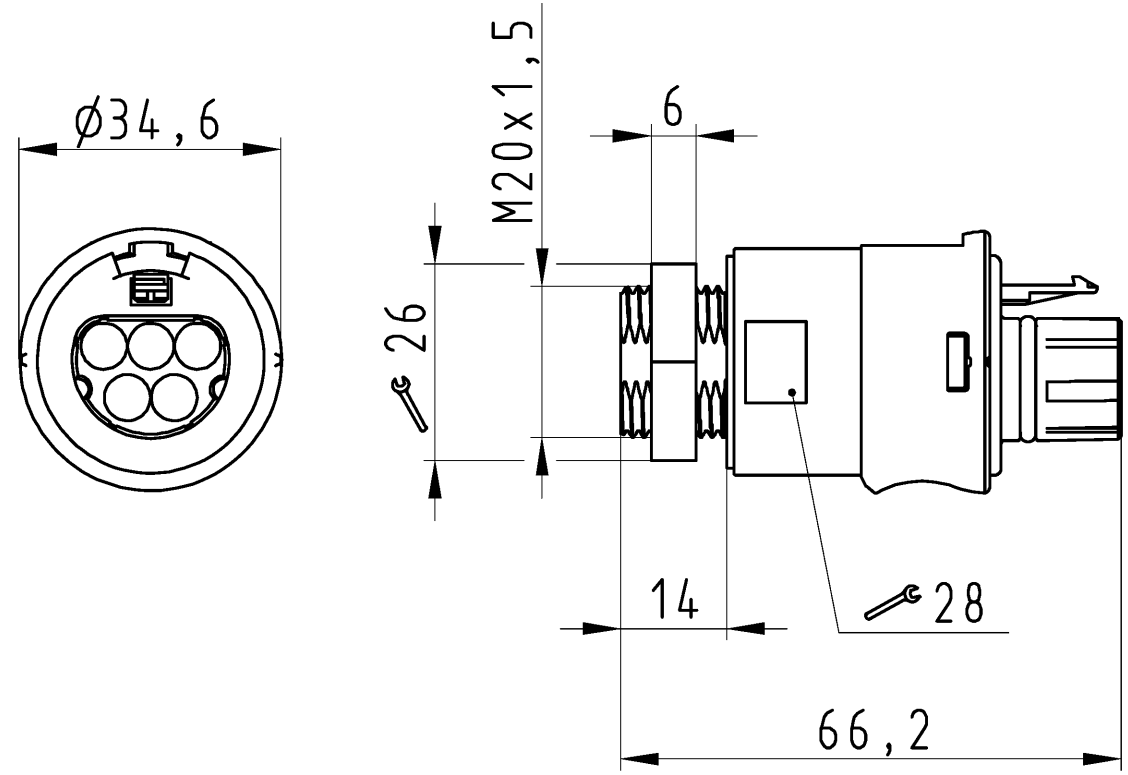
Accessories

Commercial Art.No.:	Article-type description:	Description:
05.545.0021.8	Male contact CRIMP RST20i4/i5 1,0QMM	RST20i5/4 crimp contact, male, 20A, for cross section 0.75-1.0 mm ² /AWG17
05.545.0121.8	Male contact CRIMP RST20i4/i5 1,5QMM	RST20i5/4 crimp contact, male, 20A, for cross section 1.5 mm ² /AWG16
05.545.0221.8	Male contact CRIMP RST20i4/i5 2,5QMM	RST20i5/4 crimp contact, male, 20A, for cross section 2.5 mm ² /AWG14
05.545.0321.8	Male contact CRIMP RST20i4/i5 4,0QMM	RST20i5/4 crimp contact, male, 20A, for cross section 4.0 mm ² /AWG12
05.565.9953.1	Cover for male connector SW	RST20i5/4 cover piece, for covering unused male connectors, color black
99.532.0000.7	Cover for male connector SW	RST20i5/4 cover piece, for covering unused male connectors, with fastening belt, color black

Fits with

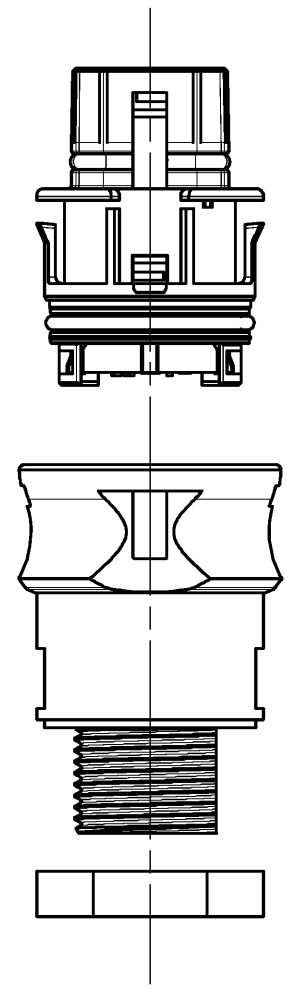
Commercial Art.No.:	Article-type description:	Description:

96.151.0053.6	Connector RST20I5C B1 ZR1S A TB0	RST20i5 connector, 5 pole, female, for crimp contacts, application 250V with PE, 20A, for cable diameters 6-10mm, coding color turquoise blue, color of housing black
96.151.0153.6	Connector RST20I5C B1 ZR2S A TB0	RST20i5 connector, 5 pole, female, for crimp contacts, application 250V with PE, 20A, for cable diameters 10-14mm, coding color turquoise blue, color of housing black
96.151.0553.6	Connector RST20I5C B1 ZR3S A TB0	RST20i5 connector, 5 pole, female, for crimp contacts, application 250V with PE, 20A, for cable diameters 14-18mm, coding color turquoise blue, color of housing black
96.153.0053.6	Connector RST20I5C B1 YR1S TB04	RST20i5 connector (90° angled), 5 pole, female, for crimp contacts, application 250V with PE, 20A, for cable diameters 6-10mm, coding color turquoise blue, color of housing black
96.153.0153.6	Connector RST20I5C B1 YR2S TB04	RST20i5 connector (90° angled), 5 pole, female, for crimp contacts, application 250V with PE, 20A, for cable diameters 10-14mm, coding color turquoise blue, color of housing black



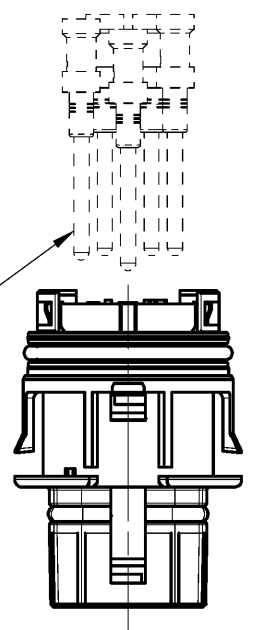
Auslieferungszustand

delivery status

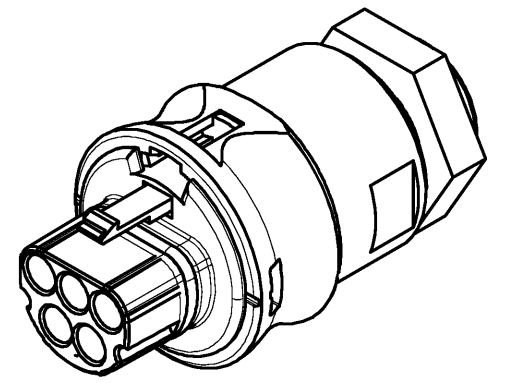


Verpackungseinheit: je 100 Stück
packaging unit: per 100

Bestellhinweis /order info



Steckerkontakte/ male contact
Bitte separat bestellen
/must be ordered separately
05.545.00/01/02/0321.8



96.152.2053.6	RST2015C S1 ZR1SVA TB04	türkisblau /turquoise blue
Bestellnummer /Order number	Typ /Type	Farbe /color
Weitere Daten siehe KATALOG oder eKatalog. Additional data see CATALOG or eCatalog.		www.wieland-electric.com eshop.wieland-electric.com

Öffnungsmassbild siehe 96.031.2053.1 14K
opening dimension see 96.031.2053.1 14K

Tolerierung Size ISO 14405(®)/Tolerance system Size ISO 14405(®). (This ISO-standard describes the envelope principle. According to the envelope principle the deviations of form and parallelism are limited by the size tolerances).		ja/yes <input checked="" type="checkbox"/> Stoffverbots- und Deklarationsliste nach WN 5020.010 ist einzuhalten. Conformity with Wieland document WN 5020.010 e (list of prohibited / declarable hazardous substances) to be declared!	
Freitoleranz nach General tolerance	CAD - Zeichnung, keine manuellen Änderungen CAD - drawing, no manual modifications allowed	1.Verwendung: First Use:	Blatt: 1 von 1 Sheet: of 1
	Werkstoff/Material	2015 Tag/Date	Name
	Maßstab/Scale	gezeichnet drawn	23.07. Nagengast F.
	1:1	geprüft checked	-
	Vol. mm ³ Of l./Surf. mm ²	Normgepr. Stand. check	-
Ersatz für/Replacement for: -		Zeichnung Nr./Drawing No.	
		96.152.2053.6 13K	
		Maße in mm/Dimensions are in mm	
www.wieland www.wieland-electric.com		Type	Benennung/Title
Index Datum / Blatt Date / Sheet		STECKERTEIL male connector	
Änderung/Revision			

These dimensions will be especially checked at delivery
Only inspection dimensions
With /E marked dimensions are only valid for internal use

Diese Maße werden bei Abnahme besonders geprüft
Ausschließlich Prüfmaße
Mit /E gekennzeichnete Maße sind nur für interne Zwecke gültig

Weitergabe sowie Vervielfältigung dieses Dokuments, Verwertung und Mitteilung seines Inhalts sind verboten, soweit nicht ausdrücklich gestattet.
The reproduction, distribution and utilization of this document as well as the communication of its contents to others without express authorization is prohibited.