



FSEZ1307

Primary-Side-Regulation PWM with Power MOSFET Integrated

Features

- Low Standby Power: Under 30mW
- High-Voltage Startup
- Few External Components
- Constant-Voltage (CV) and Constant-Current (CC) Control without Secondary-Feedback Circuitry
- Green Mode: Linearly Decreasing PWM Frequency
- Fixed PWM Frequency at 50kHz with Frequency Hopping to Solve EMI Problem
- Cable Compensation in CV Mode
- Peak-Current-Mode Control in CV Mode
- Cycle-by-Cycle Current Limiting
- V_{DD} Over-Voltage Protection with Auto Restart
- V_{DD} Under-Voltage Lockout (UVLO)
- Gate Output Maximum Voltage Clamped at 15V
- Fixed Over-Temperature Protection with Auto Restart
- Available in 7-Lead SOP Package

Applications

- Battery chargers for cellular phones, cordless phones, PDA, digital cameras, power tools, etc.
- Replaces linear transformers and RCC SMPS

Description

This third-generation Primary Side Regulation (PSR) PWM controller combination power MOSFET, FSEZ1307, provides several features to enhance the performance of low-power flyback converters. The proprietary topology, TRUECURRENT™, enables precise CC regulation and simplified circuit design for battery-charger applications. Compared to a conventional design or a linear transformer, a low-cost, smaller, and lighter charger results.

To minimize standby power consumption, the proprietary green mode provides off-time modulation to linearly decrease PWM frequency under light-load conditions. Green mode assists the power supply in meeting power conservation requirements.

By using the FSEZ1307, a charger can be implemented with few external components and minimized cost. A typical output CV/CC characteristic envelope is shown in Figure 1.

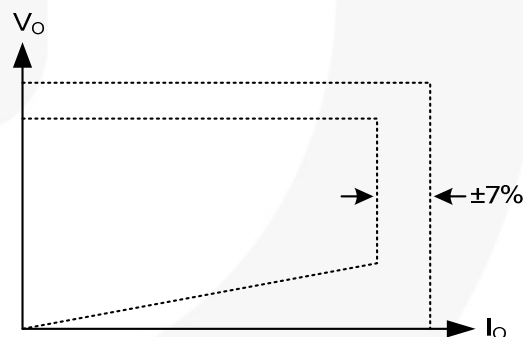


Figure 1. Typical Output V-I Characteristic

Ordering Information

| Part Number | Operating Temperature Range | Eco Status | Package | Packing Method |
|-------------|-----------------------------|------------|---------------------------------------|----------------|
| FSEZ1307MY | -40°C to +105°C | Green | 7-Lead, Small Outline Package (SOP-7) | Tape & Reel |

 For Fairchild's definition of Eco Status, please visit: http://www.fairchildsemi.com/company/green/rohs_green.html.

Application Diagram

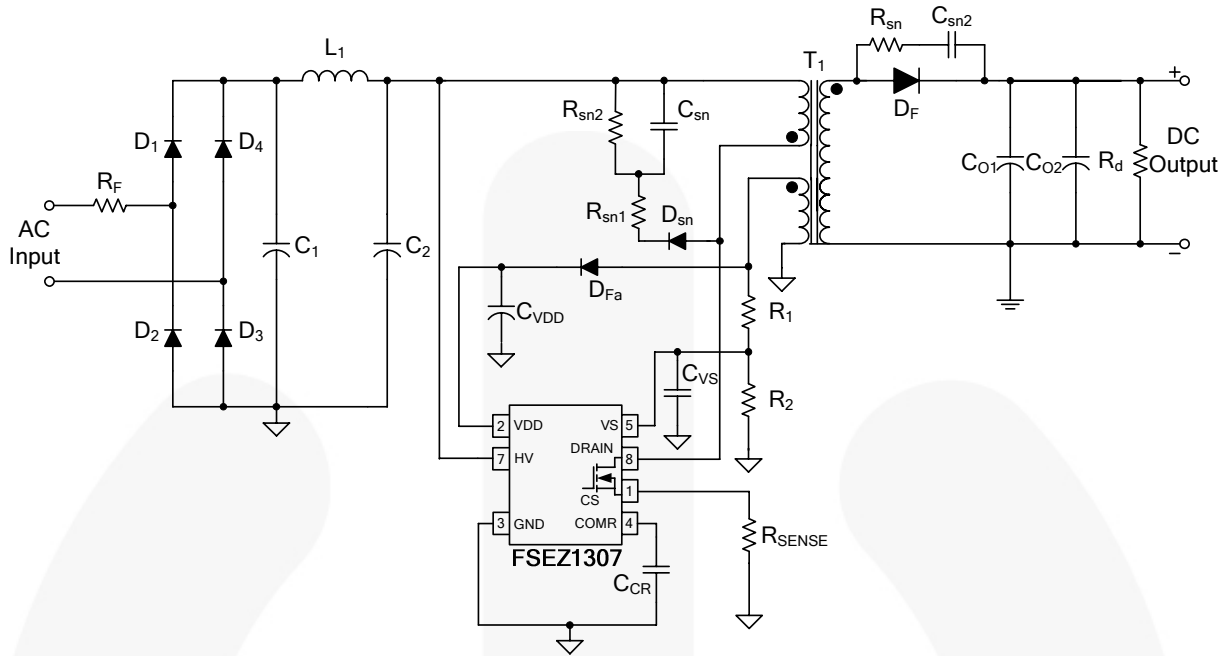


Figure 2. Typical Application

Internal Block Diagram

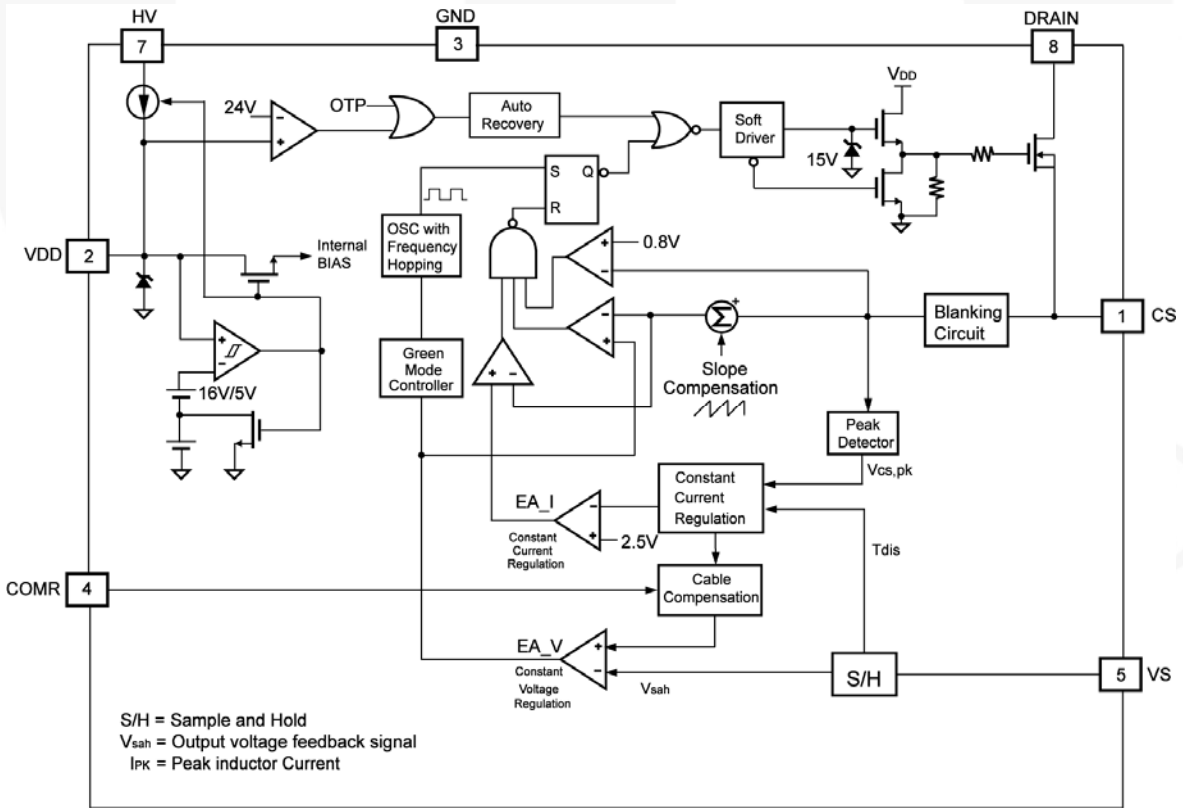
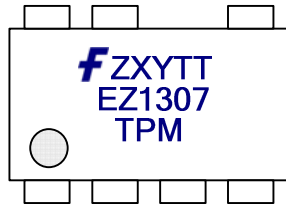


Figure 3. Functional Block Diagram

Marking Information



F: Fairchild Logo
Z: Plant Code
X: 1-Digit Year Code
Y: 1-Digit Week Code
TT: 2-Digit Die Run Code
T: Package Type (M=SOP)
P: Y=Green Package
M: Manufacture Flow Code

Figure 4. Top Mark

Pin Configuration

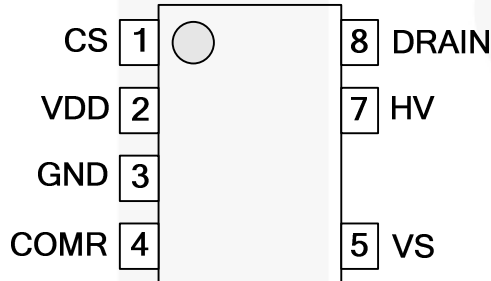


Figure 5. Pin Configuration

Pin Definitions

| Pin # | Name | Description |
|-------|-------|---|
| 1 | CS | Current Sense. This pin connects a current-sense resistor to detect the MOSFET current for peak-current-mode control in CV mode and provides the output-current regulation in CC mode. |
| 2 | VDD | Power Supply. IC operating current and MOSFET driving current are supplied using this pin. This pin is connected to an external V_{DD} capacitor of typically $10\mu\text{F}$. The threshold voltages for startup and turn-off are 16V and 5V, respectively. The operating current is lower than 5mA. |
| 3 | GND | Ground |
| 4 | COMR | Cable Compensation. This pin connects a $1\mu\text{F}$ capacitor between the COMR and GND pins for compensation voltage drop due to output cable loss in CV mode. |
| 5 | VS | Voltage Sense. This pin detects the output voltage information and discharge time based on voltage of auxiliary winding. |
| 7 | HV | High Voltage. This pin connects to a bulk capacitor for high-voltage startup. |
| 8 | DRAIN | Driver Output. Power MOSFET drain. This pin is the high-voltage power MOSFET drain. |

Absolute Maximum Ratings

Stresses exceeding the absolute maximum ratings may damage the device. The device may not function or be operable above the recommended operating conditions and stressing the parts to these levels is not recommended. In addition, extended exposure to stresses above the recommended operating conditions may affect device reliability. The absolute maximum ratings are stress ratings only.

| Symbol | Parameter | | Min. | Max. | Units |
|-------------------|---|---|------|------|-------|
| V _{HV} | HV Pin Input Voltage | | | 500 | V |
| V _{VDD} | DC Supply Voltage ^(1,2) | | | 30 | V |
| V _{VS} | VS Pin Input Voltage | | -0.3 | 7.0 | V |
| V _{CS} | CS Pin Input Voltage | | -0.3 | 7.0 | V |
| V _{COMV} | Voltage Error Amplifier Output Voltage | | -0.3 | 7.0 | V |
| V _{COMI} | Current Error Amplifier Output Voltage | | -0.3 | 7.0 | V |
| V _{DS} | Drain-Source Voltage | | | 700 | V |
| I _D | Continuous Drain Current | T _A =25°C | | 0.5 | A |
| | | T _A =100°C | | 0.35 | A |
| I _{DM} | Pulsed Drain Current | | | 3.5 | A |
| E _{AS} | Single Pulse Avalanche Energy | | | 35 | mJ |
| I _{AR} | Avalanche Current | | | 1 | A |
| P _D | Power Dissipation (T _A < 50°C) | | | 660 | mW |
| θ _{JA} | Thermal Resistance (Junction to Air) | | | 150 | °C/W |
| θ _{JC} | Thermal Resistance (Junction to Case) | | | 39 | °C/W |
| T _J | Operating Junction Temperature | | -40 | +150 | °C |
| T _{STG} | Storage Temperature Range | | -55 | +150 | °C |
| T _L | Lead Temperature (Wave Soldering or IR, 10 Seconds) | | | +260 | °C |
| ESD | Electrostatic Discharge Capability | Human Body Model (Except HV Pin), JEDEC-JESD22_A114 | | 2500 | V |
| | | Charged Device Model (Except HV Pin), JEDEC-JESD22_C101 | | 1250 | |

Notes:

1. Stresses beyond those listed under Absolute Maximum Ratings may cause permanent damage to the device.
2. All voltage values, except differential voltages, are given with respect to the GND pin.

Recommended Operating Conditions

The Recommended Operating Conditions table defines the conditions for actual device operation. Recommended operating conditions are specified to ensure optimal performance to the datasheet specifications. Fairchild does not recommend exceeding them or designing to Absolute Maximum Ratings.

| Symbol | Parameter | Min. | Max. | Units |
|----------------|-------------------------------|------|------|-------|
| T _A | Operating Ambient Temperature | -40 | +105 | °C |

Electrical Characteristics

Unless otherwise specified, $V_{DD}=15V$ and $T_A=25^{\circ}C$.

| Symbol | Parameter | Conditions | Min. | Typ. | Max. | Units | |
|--|---|---|-------|-------|-------|-------|-----|
| V_{DD} Section | | | | | | | |
| V _{OP} | Continuously Operating Voltage | | | | 23 | V | |
| V _{DD-ON} | Turn-On Threshold Voltage | | 15 | 16 | 17 | V | |
| V _{DD-OFF} | Turn-Off Threshold Voltage | | 4.5 | 5.0 | 5.5 | V | |
| I _{DD-OP} | Operating Current | | | 2.5 | 5.0 | mA | |
| I _{DD-GREEN} | Green-Mode Operating Supply Current | | | 0.95 | 1.20 | mA | |
| V _{DD-OVP} | V _{DD} Over-Voltage-Protection Level (OVP) | | | 24 | | V | |
| V _{DD-OVP-HYS} | Hysteresis Voltage for V _{DD} OVP | | 1.5 | 2.0 | 2.5 | V | |
| t _{D-VDDOVP} | V _{DD} Over-Voltage-Protection Debounce Time | | 50 | 200 | 300 | μs | |
| HV Startup Current Source Section | | | | | | | |
| V _{HV-MIN} | Minimum Startup Voltage on HV Pin | | | | 50 | V | |
| I _{HV} | Supply Current Drawn from HV Pin | V _{DC} =100V | | 1.5 | 3.0 | mA | |
| I _{HV-LC} | Leakage Current after Startup | HV=500V, V _{DD} = V _{DD-OFF} +1V | | 0.96 | 3.00 | μA | |
| Oscillator Section | | | | | | | |
| f _{OSC} | Frequency | Center Frequency | | 47 | 50 | 53 | kHz |
| | | Frequency Hopping Range | | ±1.5 | ±2.0 | ±2.5 | |
| f _{OSC-N-MIN} | Minimum Frequency at No-Load | | | 370 | | Hz | |
| f _{OSC-CM-MIN} | Minimum Frequency at CCM | | | 13 | | kHz | |
| f _{DV} | Frequency Variation vs. V _{DD} Deviation | V _{DD} =10~25V, | | 1 | 2 | % | |
| f _{DT} | Frequency Variation vs. Temperature Deviation | T _A =-40°C to 105°C | | | 15 | % | |
| Voltage-Sense Section | | | | | | | |
| I _{IC} | IC Bias Current | | | 10 | | μA | |
| V _{BIAS-COMV} | Adaptive Bias Voltage Dominated by V _{COMV} | R _{VS} =20kΩ | | 1.4 | | V | |
| Current-Sense Section | | | | | | | |
| t _{PD} | Propagation Delay to GATE Output | | | 90 | 200 | ns | |
| t _{MIN-N} | Minimum On Time at No-Load | | 700 | 850 | 1050 | ns | |
| V _{TH} | Threshold Voltage for Current Limit | | | 0.8 | | V | |
| Voltage-Error-Amplifier Section | | | | | | | |
| V _{VR} | Reference Voltage | | 2.475 | 2.500 | 2.525 | V | |
| V _N | Green-Mode Starting Voltage on EA_V | f _{OSC} =2kHz | | 2.5 | | V | |
| V _G | Green-Mode Ending Voltage on EA_V | f _{OSC} =1kHz | | 0.4 | | V | |
| Current-Error-Amplifier Section | | | | | | | |
| V _{IR} | Reference Voltage | | 2.475 | 2.500 | 2.525 | V | |
| Cable Compensation Section | | | | | | | |
| V _{COMR} | COMR Pin for Cable Compensation | | | 0.75 | | V | |

Continued on the following page...

Electrical Characteristics (Continued)

Unless otherwise specified, $V_{DD}=15V$ and $T_A=25^\circ C$.

| Symbol | Parameter | Conditions | Min. | Typ. | Max. | Units |
|--|---|---|------|------|------|-------|
| Internal MOSFET Section⁽³⁾ | | | | | | |
| DCY _{MAX} | Maximum Duty Cycle | | 70 | 75 | 80 | % |
| BV _{DSS} | Drain-Source Breakdown Voltage | $I_D=250\mu A$, $V_{GS}=0V$ | 700 | | | V |
| $\Delta BV_{DSS}/\Delta T_J$ | Breakdown Voltage Temperature Coefficient | $I_D=250\mu A$, Referenced to $T_A=25^\circ C$ | | 0.53 | | V/°C |
| R _{DS(ON)} | Static Drain-Source On-Resistance | $I_D=0.5A$, $V_{GS}=10V$ | | 17 | 20 | Ω |
| I _S | Maximum Continuous Drain-Source Diode Forward Current | | | | 0.5 | A |
| I _{DSS} | Drain-Source Leakage Current | $V_{DS}=700V$, $T_A=25^\circ C$ | | | 10 | μA |
| | | $V_{DS}=560V$, $T_A=100^\circ C$ | | | 100 | μA |
| t _{D-ON} | Turn-On Delay Time | $V_{DS}=350V$, $I_D=1A$, $R_G=25\Omega^{(4)}$ | | 10 | 30 | ns |
| t _{D-OFF} | Turn-Off Delay Time | | | 20 | 50 | ns |
| C _{ISS} | Input Capacitance | $V_{GS}=0V$, $V_{DS}=25V$, $f_S=1MHz$ | | 125 | 150 | pF |
| C _{OSS} | Output Capacitance | | | 15 | 18 | pF |
| Over-Temperature-Protection Section | | | | | | |
| T _{OTP} | Threshold Temperature for OTP ⁽⁵⁾ | | | 140 | | °C |

Notes:

3. These parameters, although guaranteed, are not 100% tested in production.
4. Pulse test: pulsewidth $\leq 300\mu s$, duty cycle $\leq 2\%$.
5. When the Over-temperature protection is activated, the power system enter latch mode and output is disabled.

Typical Performance Characteristics

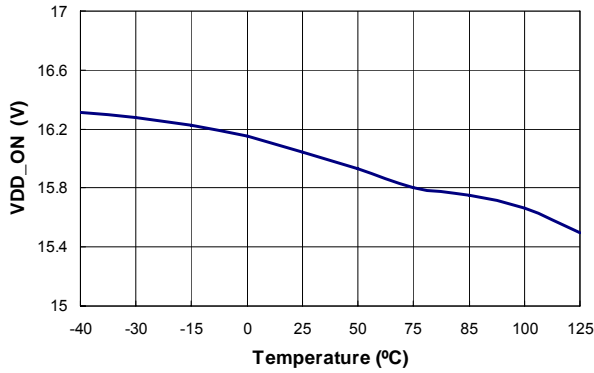


Figure 6. Turn-On Threshold Voltage (V_{DD-ON}) vs. Temperature

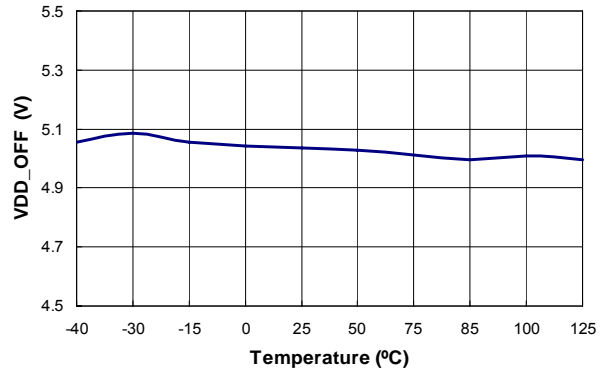


Figure 7. Turn-Off Threshold Voltage (V_{DD-OFF}) vs. Temperature

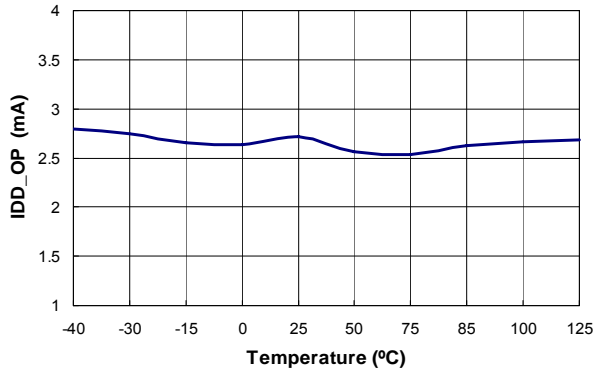


Figure 8. Operating Current (I_{DD-OP}) vs. Temperature

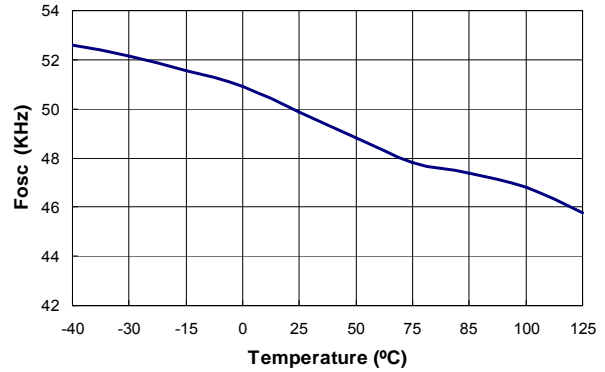


Figure 9. Center Frequency (f_{osc}) vs. Temperature

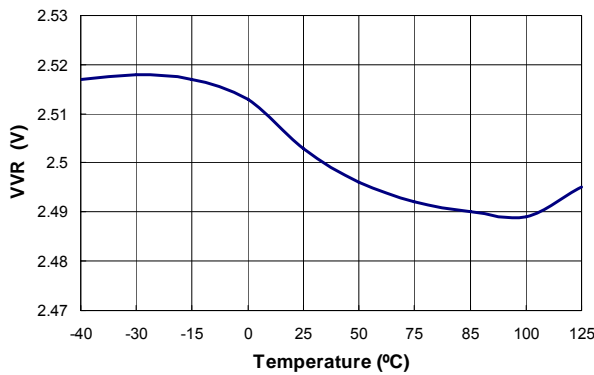


Figure 10. Reference Voltage (V_{VR}) vs. Temperature

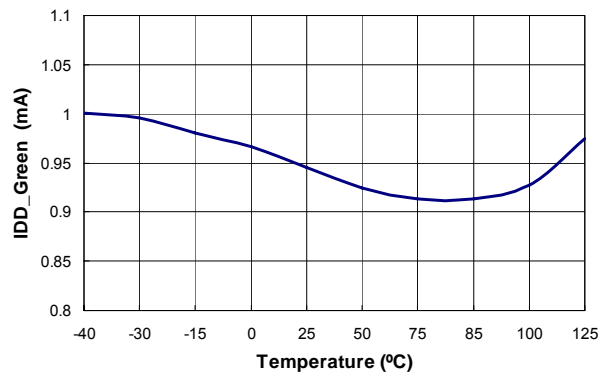


Figure 11. Green-Mode Operating Supply Current ($I_{DD-GREEN}$) vs. Temperature

Typical Performance Characteristics

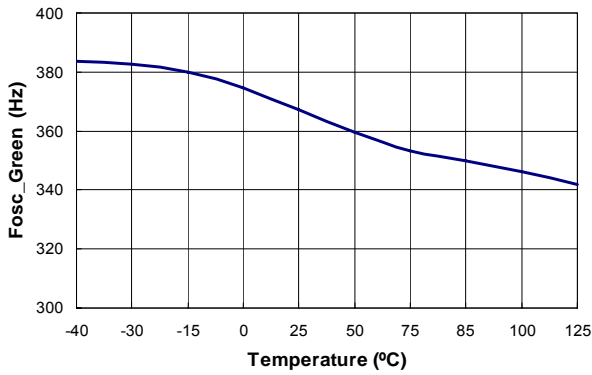


Figure 12. Minimum Frequency at No Load (f_{OSC-N-MIN}) vs. Temperature

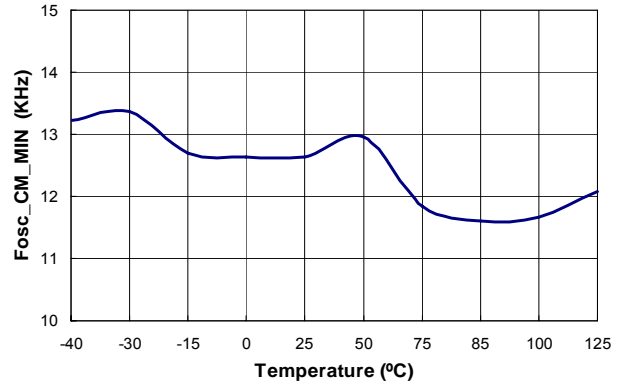


Figure 13. Minimum Frequency at CCM (f_{OSC-CM-MIN}) vs. Temperature

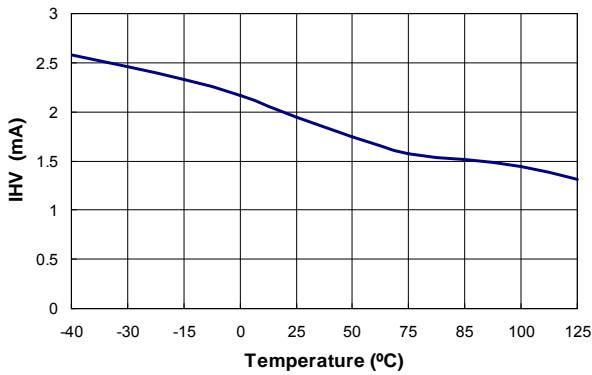


Figure 14. Supply Current Drawn from HV Pin (I_{HV}) vs. Temperature

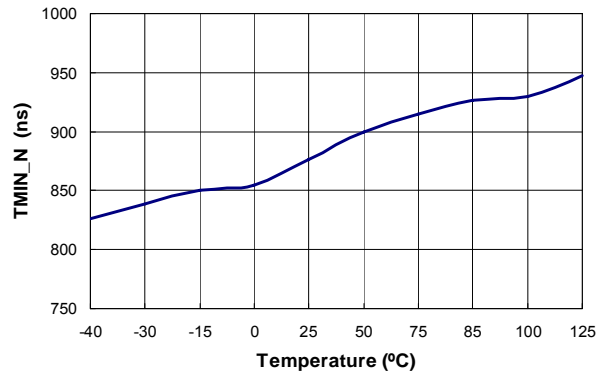


Figure 15. Minimum On Time at No Load (t_{MIN-N}) vs. Temperature

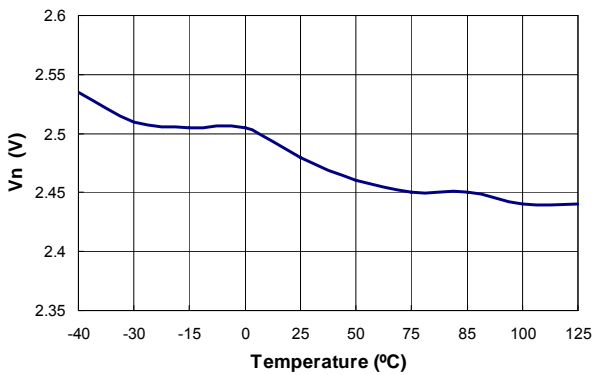


Figure 16. Green-Mode Starting Voltage on EA_V (V_N) vs. Temperature

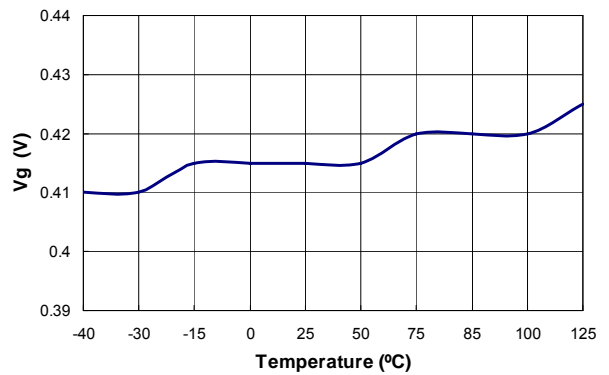


Figure 17. Green-Mode Ending Voltage on EA_V (V_G) vs. Temperature

Typical Performance Characteristics

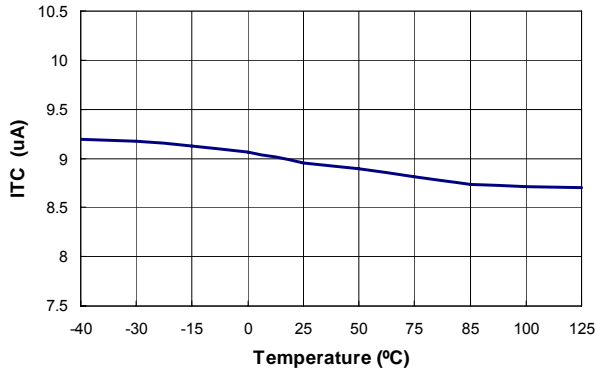


Figure 18. IC Bias Current (I_c) vs. Temperature

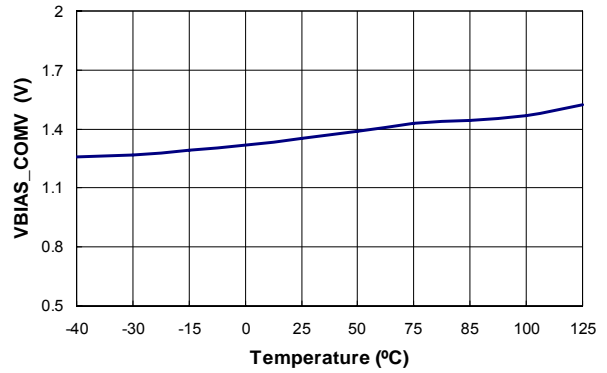


Figure 19. Adaptive Bias Voltage Dominated by V_{COMV} (V_{BIAS-COMV}) vs. Temperature

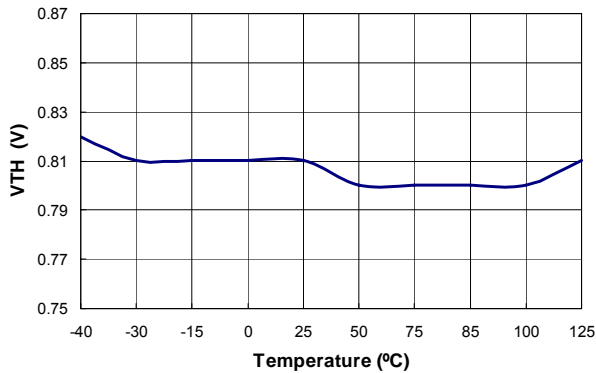


Figure 20. Threshold Voltage for Current Limit (V_{TH}) vs. Temperature

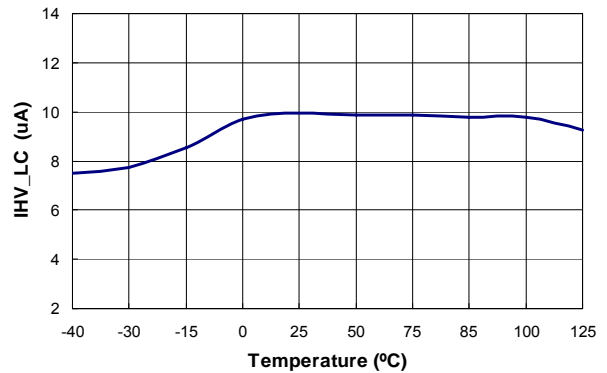


Figure 21. Leakage Current after Startup (I_{HV-LC}) vs. Temperature

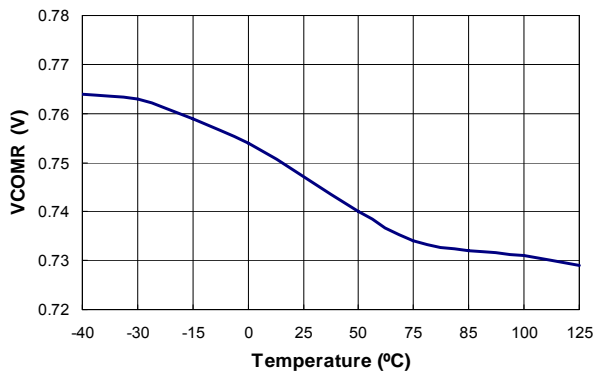


Figure 22. Variation Test Voltage on COMR Pin for Cable Compensation (V_{COMR}) vs. Temperature

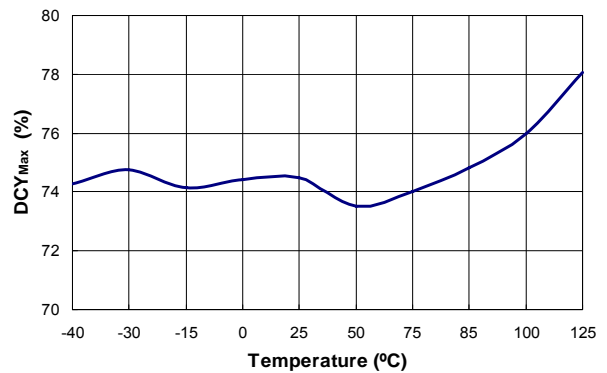


Figure 23. Maximum Duty Cycle (DCY_{MAX}) vs. Temperature

Functional Description

Figure 24 shows the basic circuit diagram of primary-side regulated flyback converter, with typical waveforms shown in Figure 25. Generally, discontinuous conduction mode (DCM) operation is preferred for primary-side regulation because it allows better output regulation. The operation principles of DCM flyback converter are as follows:

During the MOSFET on time (t_{ON}), input voltage (V_{DL}) is applied across the primary-side inductor (L_m). Then MOSFET current (I_{ds}) increases linearly from zero to the peak value (I_{pk}). During this time, the energy is drawn from the input and stored in the inductor.

When the MOSFET is turned off, the energy stored in the inductor forces the rectifier diode (D) to be turned on. While the diode is conducting, the output voltage (V_o), together with diode forward-voltage drop (V_F), is applied across the secondary-side inductor ($L_m \times N_s^2 / N_p^2$) and the diode current (I_D) decreases linearly from the peak value ($I_{pk} \times N_p / N_s$) to zero. At the end of inductor current discharge time (t_{DIS}), all the energy stored in the inductor has been delivered to the output.

When the diode current reaches zero, the transformer auxiliary winding voltage (V_w) begins to oscillate by the resonance between the primary-side inductor (L_m) and the effective capacitor loaded across the MOSFET.

During the inductor current discharge time, the sum of output voltage and diode forward-voltage drop is reflected to the auxiliary winding side as $(V_o + V_F) \times N_a / N_s$. Since the diode forward-voltage drop decreases as current decreases, the auxiliary winding voltage reflects the output voltage best at the end of diode conduction time where the diode current diminishes to zero. Thus, by sampling the winding voltage at the end of the diode conduction time, the output voltage information can be obtained. The internal error amplifier for output voltage regulation (EA_V) compares the sampled voltage with internal precise reference to generate error voltage (V_{COMV}), which determines the duty cycle of the MOSFET in CV mode.

Meanwhile, the output current can be estimated using the peak drain current and inductor current discharge time because output current is same as the average of the diode current in steady state.

The output current estimator picks up the peak value of the drain current with a peak detection circuit and calculates the output current using the inductor discharge time (t_{DIS}) and switching period (t_s). This output information is compared with internal precise reference to generate the error voltage (V_{COMI}), which determines the duty cycle of the MOSFET in CC mode. With Fairchild's innovative TRUECURRENT™ technique, constant current (CC) output can be precisely controlled.

Among the two error voltages, V_{COMV} and V_{COMI} , the smaller one determines the duty cycle. Therefore, during constant voltage regulation mode, V_{COMV} determines the

duty cycle while V_{COMI} is saturated to HIGH. During constant current regulation mode, V_{COMI} determines the duty cycle while V_{COMV} is saturated to HIGH.

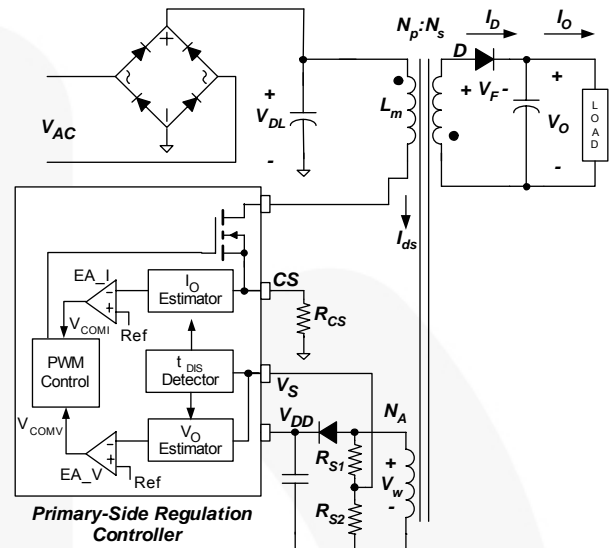


Figure 24. Simplified PSR Flyback Converter Circuit

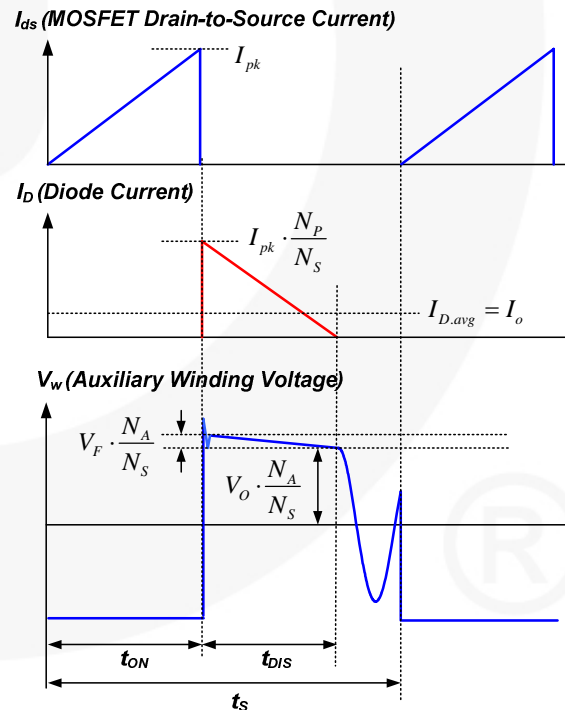


Figure 25. Key Waveforms of DCM Flyback Converter

Cable Voltage Drop Compensation

In cellular phone charger applications, the battery is located at the end of cable, which typically causes several percentage points of voltage drop on the battery voltage. FSEZ1307 has a built-in cable voltage drop compensation that provides a constant output voltage at the end of the cable over the entire load range in CV mode. As load increases, the voltage drop across the cable is compensated by increasing the reference voltage of the voltage regulation error amplifier.

Operating Current

The FSEZ1307 operating current is as small as 2.5mA, which results in higher efficiency and reduces the V_{DD} hold-up capacitance requirement. Once FSEZ1307 enters "deep" green mode, the operating current is reduced to 0.95mA, assisting the power supply in meeting power conservation requirements.

Green-Mode Operation

The FSEZ1307 uses voltage regulation error amplifier output (V_{COMV}) as an indicator of the output load and modulates the PWM frequency, as shown in Figure 26. The switching frequency decreases as the load decreases. In heavy load conditions, the switching frequency is fixed at 50kHz. Once V_{COMV} decreases below 2.5V, the PWM frequency linearly decreases from 50kHz. When FSEZ1307 enters deep green mode, the PWM frequency is reduced to a minimum frequency of 370Hz, gaining power saving to meet international power conservation requirements.

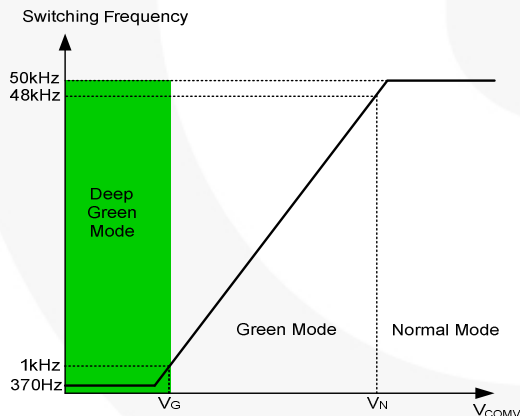


Figure 26. Switching Frequency in Green Mode

Frequency Hopping

EMI reduction is accomplished by frequency hopping, which spreads the energy over a wider frequency range than the bandwidth measured by the EMI test equipment. FSEZ1307 has an internal frequency hopping circuit that changes the switching frequency between 47kHz and 53kHz over the period shown in Figure 27.

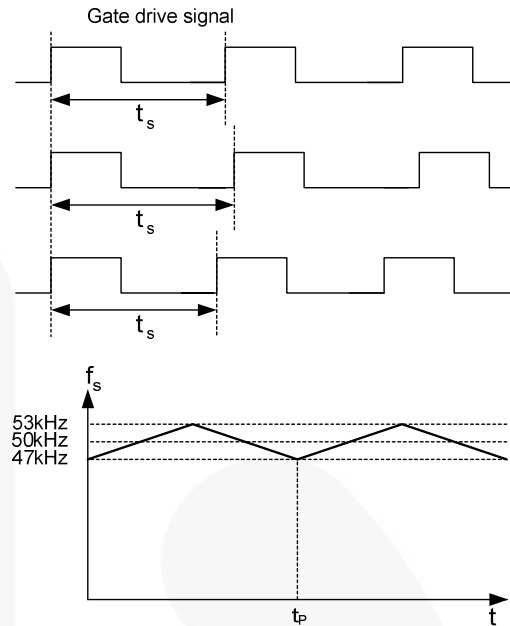


Figure 27. Frequency Hopping

High-Voltage Startup

Figure 28 shows the HV-startup circuit for FSEZ1307 applications. The HV pin is connected to the line input or bulk capacitor through a resistor, R_{START} (100k Ω recommended). During startup, the internal startup circuit is enabled. Meanwhile, line input supplies the current, $I_{STARTUP}$, to charge the hold-up capacitor, C_{DD} , through R_{START} . When the V_{DD} voltage reaches V_{DD-ON} , the internal startup circuit is disabled, blocking $I_{STARTUP}$ from flowing into the HV pin. Once the IC turns on, C_{DD} is the only energy source to supply the IC consumption current before the PWM starts to switch. Therefore, C_{DD} must be large enough to prevent V_{DD} from dropping down to V_{DD-OFF} before the power can be delivered from the auxiliary winding.

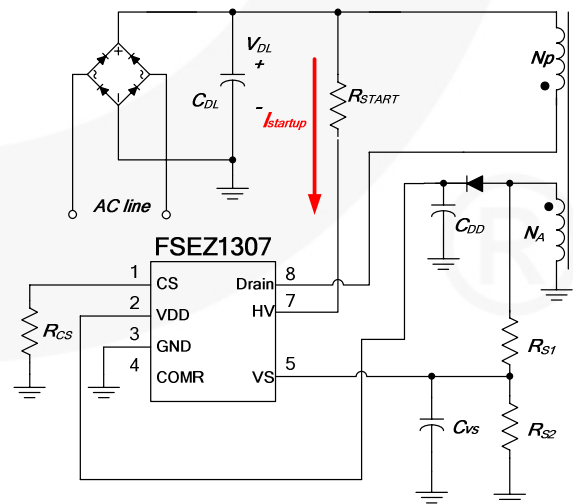


Figure 28. HV Startup Circuit

Under-Voltage Lockout (UVLO)

The turn-on and turn-off thresholds are fixed internally at 16V and 5V, respectively. During startup, the hold-up capacitor must be charged to 16V through the startup resistor to enable the FSEZ1307. The hold-up capacitor continues to supply V_{DD} until power can be delivered from the auxiliary winding of the main transformer. V_{DD} is not allowed to drop below 5V during this startup process. This UVLO hysteresis window ensures that hold-up capacitor properly supplies V_{DD} during startup.

Protections

The FSEZ1307 has several self-protection functions, such as Over-Voltage Protection (OVP), Over-Temperature Protection (OTP), and pulse-by-pulse current limit. All the protections are implemented as auto-restart mode. Once the abnormal condition occurs, the switching is terminated and the MOSFET remains off, causing V_{DD} to drop. When V_{DD} drops to the V_{DD} turn-off voltage of 5V, the internal startup circuit is enabled again and the supply current drawn from the HV pin charges the hold-up capacitor. When V_{DD} reaches the turn-on voltage of 16V, normal operation resumes. In this manner, the auto-restart alternately enables and disables the switching of the MOSFET until the abnormal condition is eliminated (see Figure 29).

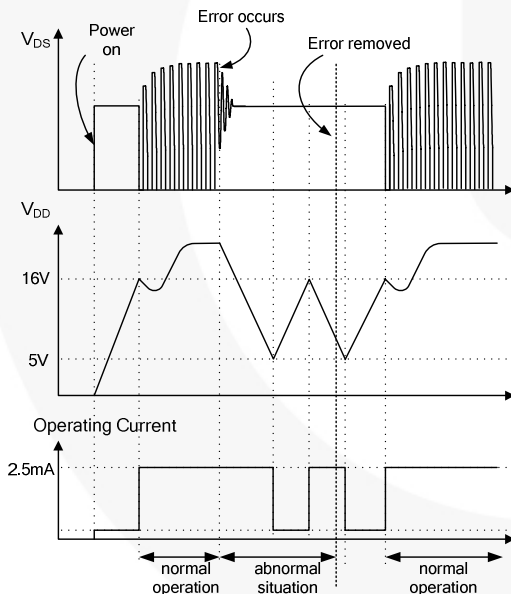


Figure 29. Auto-Restart Operation

V_{DD} Over-Voltage Protection (OVP)

V_{DD} over-voltage protection prevents damage from over-voltage conditions. If the V_{DD} voltage exceeds 24V at open-loop feedback condition, OVP is triggered and the PWM switching is disabled. The OVP has a debounce time (typically 200 μ s) to prevent false triggering due to switching noises.

Over-Temperature Protection (OTP)

The built-in temperature-sensing circuit shuts down PWM output if the junction temperature exceeds 140°C.

Pulse-by-Pulse Current Limit

When the sensing voltage across the current-sense resistor exceeds the internal threshold of 0.8V, the MOSFET is turned off for the remainder of switching cycle. In normal operation, the pulse-by-pulse current limit is not triggered since the peak current is limited by the control loop.

Leading-Edge Blanking (LEB)

Each time the power MOSFET switches on, a turn-on spike occurs at the sense resistor. To avoid premature termination of the switching pulse, a leading-edge blanking time is built in. During this blanking period, the current-limit comparator is disabled and cannot switch off the gate driver. As a result, conventional RC filtering can be omitted.

Gate Output

The FSEZ1307 output stage is a fast totem-pole gate driver. Cross conduction has been avoided to minimize heat dissipation, increase efficiency, and enhance reliability. The output driver is clamped by an internal 15V Zener diode to protect the power MOSFET transistors against undesired over-voltage gate signals.

Built-In Slope Compensation

The sensed voltage across the current-sense resistor is used for current mode control and pulse-by-pulse current limiting. Built-in slope compensation improves stability and prevents sub-harmonic oscillations due to peak-current mode control. The FSEZ1307 has a synchronized, positive-slope ramp built-in at each switching cycle.

Noise Immunity

Noise from the current sense or the control signal can cause significant pulsewidth jitter, particularly in continuous-conduction mode. While slope compensation helps alleviate these problems, further precautions should still be taken. Good placement and layout practices should be followed. Avoiding long PCB traces and component leads, locating compensation and filter components near the FSEZ1307, and increasing the power MOS gate resistance are advised.

Typical Application Circuit (Primary-Side Regulated Flyback Charger)

| Application | Fairchild Device | Input Voltage Range | Output | Output DC cable |
|--------------------|------------------|-----------------------|----------------|------------------|
| Cell Phone Charger | FSEZ1307 | 90~265V _{AC} | 5V/0.7A (3.5W) | AWG26, 1.8 Meter |

Features

- High efficiency (>65.5% at full load) meeting EPS 2.0 regulation with enough margin
- Low standby (Pin<30mW at no-load condition)

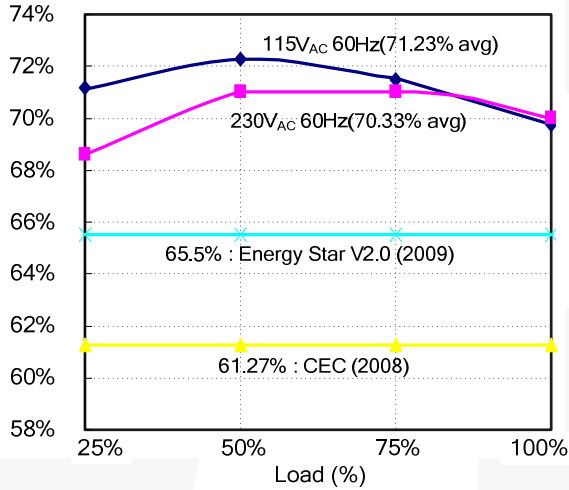


Figure 30. Measured Efficiency

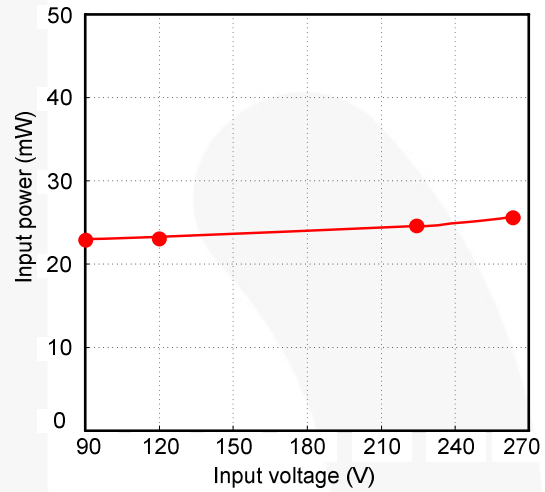


Figure 31. Standby Power

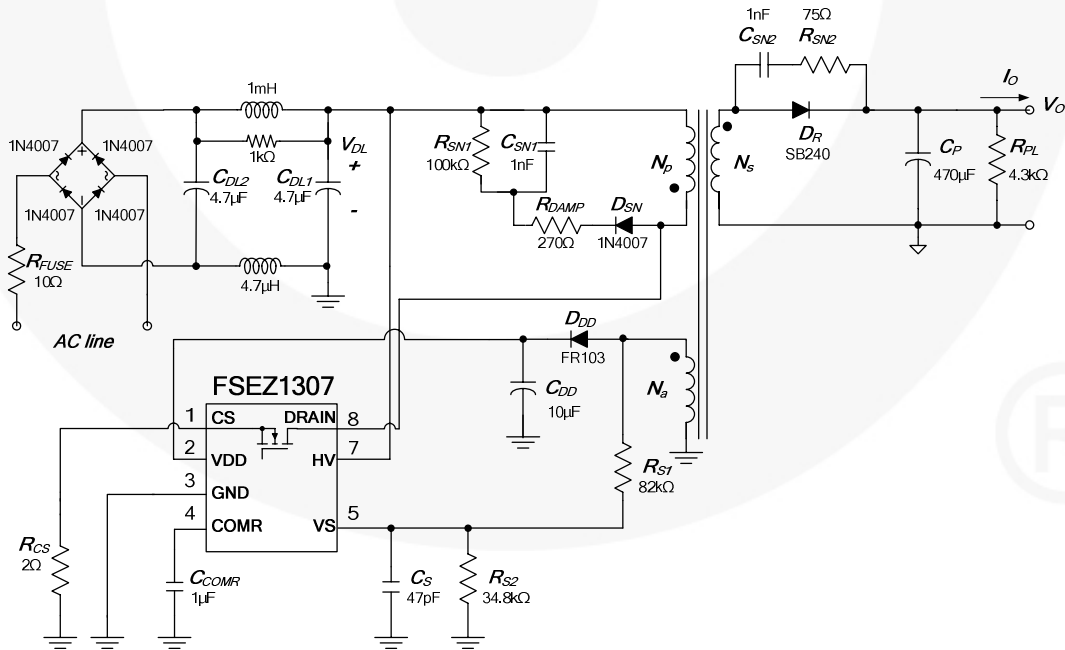


Figure 32. Schematic of Typical Application Circuit

Typical Application Circuit (Continued)

Transformer Specification

- Core: EE16
- Bobbin: EE16

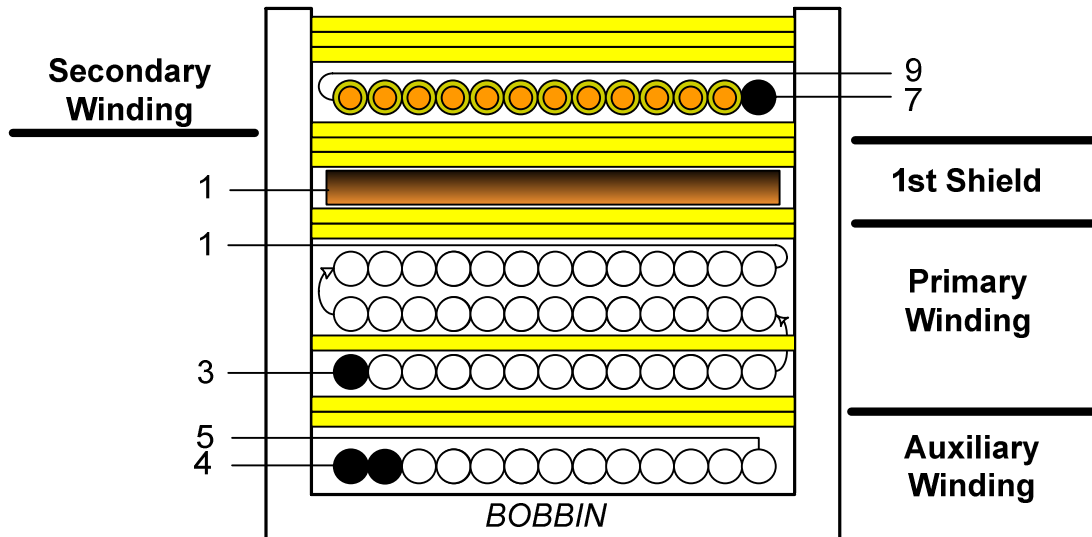


Figure 33. Transformer Specification

Notes:

6. When W4R's winding is reversed winding, it must wind one layer.
7. When W2 is winding, it must wind three layers and put one layer of tape after winding the first layer.

| NO | TERMINAL | | WIRE | t_s | INSULATION | BARRIER TAPE | |
|----|----------|---|--------------------|-------|------------|--------------|---------|
| | S | F | | | t_s | Primary | Seconds |
| W1 | 4 | 5 | 2UEW 0.23*2 | 15 | 2 | | |
| W2 | 3 | 1 | 2UEW 0.17*1 | 41 | 1 | | |
| | | | | 39 | 0 | | |
| | | | | 37 | 2 | | |
| W3 | 1 | | COPPER SHIELD | 1.2 | 3 | | |
| W4 | 7 | 9 | TEX-E 0.55*1 | 9 | 3 | | |
| | | | CORE ROUNDING TAPE | | 3 | | |

| | Pin | Specification | Remark |
|--------------------------------|-----|---------------------|-------------------------------------|
| Primary-Side Inductance | 1-3 | 2.25mH \pm 7% | 100kHz, 1V |
| Primary-Side Effective Leakage | 1-3 | 80 μ H \pm 5% | Short One of the Secondary Windings |

Physical Dimensions

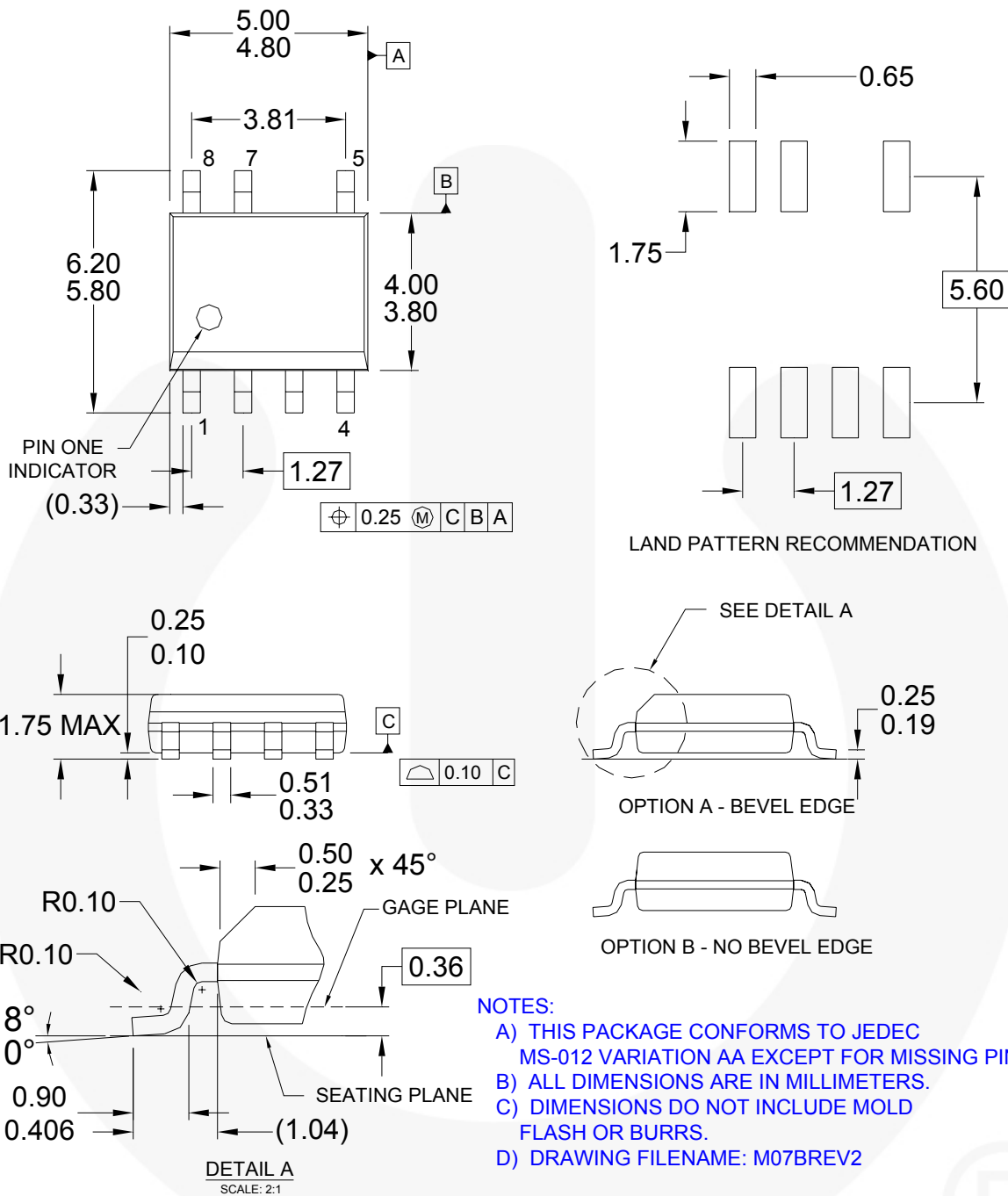


Figure 34. 7-Lead, Small Outline Package (SOP-7)

Package drawings are provided as a service to customers considering Fairchild components. Drawings may change in any manner without notice. Please note the revision and/or date on the drawing and contact a Fairchild Semiconductor representative to verify or obtain the most recent revision. Package specifications do not expand the terms of Fairchild's worldwide terms and conditions, specifically the warranty therein, which covers Fairchild products.

Always visit Fairchild Semiconductor's online packaging area for the most recent package drawings:
<http://www.fairchildsemi.com/packaging/>



TRADEMARKS

The following includes registered and unregistered trademarks and service marks, owned by Fairchild Semiconductor and/or its global subsidiaries, and is not intended to be an exhaustive list of all such trademarks.

- | | | | |
|--------------------------|-------------------------------------|--------------------------------------|----------------------|
| AccuPower™ | FRFET® | PowerTrench® | The Power Franchise® |
| Auto-SPM™ | Global Power Resource SM | PowerXS™ | |
| Build it Now™ | Green FPS™ | Programmable Active Droop™ | TinyBoost™ |
| CorePLUS™ | Green FPS™ e-Series™ | QFET® | TinyBuck™ |
| CorePOWER™ | Gmax™ | QS™ | TinyCalc™ |
| CROSSVOLT™ | GTO™ | Quiet Series™ | TinyLogic® |
| CTL™ | IntelliMAX™ | RapidConfigure™ | TINYOPTO™ |
| Current Transfer Logic™ | ISOPLANAR™ | | TinyPower™ |
| DEUXPEED® | MegaBuck™ | Saving our world, 1mW/WkW at a time™ | TinyPVM™ |
| Dual Cool™ | MICROCOUPLER™ | SignalWise™ | TinyWire™ |
| EcoSPARK® | MicroFET™ | SmartMax™ | TriFault Detect™ |
| EfficientMax™ | MicroPak™ | SMART START™ | TRUECURRENT™* |
| | MicroPak2™ | SPM® | µSerDes™ |
| Fairchild® | MillerDrive™ | STEALTH™ | |
| Fairchild Semiconductor® | MotionMax™ | SuperFET™ | UHC® |
| FACT Quiet Series™ | Motion-SPM™ | SuperSOT™-3 | Ultra FRFET™ |
| FACT® | OptoHIT™ | SuperSOT™-6 | UniFET™ |
| FAST® | OPTOLOGIC® | SuperSOT™-8 | VCX™ |
| FastvCore™ | OPTOPLANAR® | SupreMOS™ | VisualMax™ |
| FETBench™ | | SyncFET™ | XST™ |
| FlashWriter™ | | Sync-Lock™ | |
| FPS™ | PDP SPM™ | | |
| F-PFS™ | Power-SPM™ | | |

* Trademarks of System General Corporation, used under license by Fairchild Semiconductor.

DISCLAIMER

FAIRCHILD SEMICONDUCTOR RESERVES THE RIGHT TO MAKE CHANGES WITHOUT FURTHER NOTICE TO ANY PRODUCTS HEREIN TO IMPROVE RELIABILITY, FUNCTION, OR DESIGN. FAIRCHILD DOES NOT ASSUME ANY LIABILITY ARISING OUT OF THE APPLICATION OR USE OF ANY PRODUCT OR CIRCUIT DESCRIBED HEREIN, NEITHER DOES IT CONVEY ANY LICENSE UNDER ITS PATENT RIGHTS, NOR THE RIGHTS OF OTHERS. THESE SPECIFICATIONS DO NOT EXPAND THE TERMS OF FAIRCHILD'S WORLDWIDE TERMS AND CONDITIONS, SPECIFICALLY THE WARRANTY THEREIN, WHICH COVERS THESE PRODUCTS.

LIFE SUPPORT POLICY

FAIRCHILD'S PRODUCTS ARE NOT AUTHORIZED FOR USE AS CRITICAL COMPONENTS IN LIFE SUPPORT DEVICES OR SYSTEMS WITHOUT THE EXPRESS WRITTEN APPROVAL OF FAIRCHILD SEMICONDUCTOR CORPORATION.

As used herein:

1. Life support devices or systems are devices or systems which, (a) are intended for surgical implant into the body or (b) support or sustain life, and (c) whose failure to perform when properly used in accordance with instructions for use provided in the labeling, can be reasonably expected to result in a significant injury of the user.
2. A critical component in any component of a life support, device, or system whose failure to perform can be reasonably expected to cause the failure of the life support device or system, or to affect its safety or effectiveness.

ANTI-COUNTERFEITING POLICY

Fairchild Semiconductor Corporation's Anti-Counterfeiting Policy. Fairchild's Anti-Counterfeiting Policy is also stated on our external website, www.fairchildsemi.com, under Sales Support.

Counterfeiting of semiconductor parts is a growing problem in the industry. All manufacturers of semiconductor products are experiencing counterfeiting of their parts. Customers who inadvertently purchase counterfeit parts experience many problems such as loss of brand reputation, substandard performance, failed applications, and increased cost of production and manufacturing delays. Fairchild is taking strong measures to protect ourselves and our customers from the proliferation of counterfeit parts. Fairchild strongly encourages customers to purchase Fairchild parts either directly from Fairchild or from Authorized Fairchild Distributors who are listed by country on our web page cited above. Products customers buy either from Fairchild directly or from Authorized Fairchild Distributors are genuine parts, have full traceability, meet Fairchild's quality standards for handling and storage and provide access to Fairchild's full range of up-to-date technical and product information. Fairchild and our Authorized Distributors will stand behind all warranties and will appropriately address any warranty issues that may arise. Fairchild will not provide any warranty coverage or other assistance for parts bought from Unauthorized Sources. Fairchild is committed to combat this global problem and encourage our customers to do their part in stopping this practice by buying direct or from authorized distributors.

PRODUCT STATUS DEFINITIONS

Definition of Terms

| Datasheet Identification | Product Status | Definition |
|--------------------------|-----------------------|---|
| Advance Information | Formative / In Design | Datasheet contains the design specifications for product development. Specifications may change in any manner without notice. |
| Preliminary | First Production | Datasheet contains preliminary data; supplementary data will be published at a later date. Fairchild Semiconductor reserves the right to make changes at any time without notice to improve design. |
| No Identification Needed | Full Production | Datasheet contains final specifications. Fairchild Semiconductor reserves the right to make changes at any time without notice to improve the design. |
| Obsolete | Not In Production | Datasheet contains specifications on a product that is discontinued by Fairchild Semiconductor. The datasheet is for reference information only. |

Rev. I47