

DESCRIPTION

BSBC7-250 High Voltage DC Contactor

- Strong load control capacity: rated working voltage 12VDC~1000VDC, rated working current 250A.
- Safety: With epoxy resin fully sealed structure, contact and coil are not oxidized, product performance is not affected by the external environment, no arc external spray, can work in explosive and harmful environment.
- Reliable: DC high voltage non-polar design, higher breaking ability and more reliable, convenient installation/wiring.
- Environmental protection: All parts comply with the latest EU ROHS environmental protection requirements.
- Approval: UL, CE, TÜV

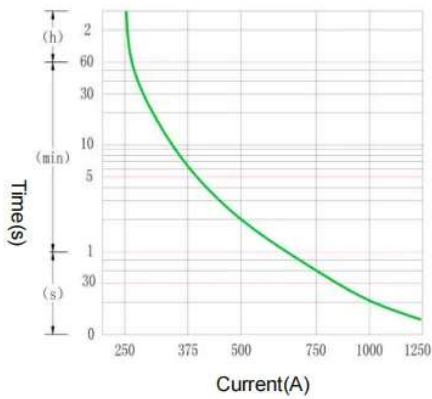
High Voltage DC Contactor

High Voltage DC Contactor		
Brand Name	BSB	
Model Number	BSBC7-250	
Mounting Type	Vertical and Horizontal mounting	
Main Contact		
Rated Current	250A	
Rated Voltage	12V-1000V	
Main Contact type	1SH (SPST NO DM)	
Min. Load	1A12VDC	
Max. Switching Current	1000A 320VDC	
Auxiliary Contact		
Auxiliary Contact Type	Normally Open/Normally Closed	
Max. Current	30VDC 0.8A	
Min. Current	8VDC 100mA	
Coil		
Coil Voltage (VDC)	12/24	48/72
Operating Voltage Range (VDC)	8-36	32-95
Coil Power (holding)	2W	1.5W
Pick Up Time (@Us)	≤45ms	
Release Time (@Us)	≤10ms	
Bounce Time (@Us)	≤5ms	
Life Characteristics		
Mechanical Life	300,000 cycles	
Capacitive load life (RC=1ms, only for connecting)	600A	50,000 cycles
Note: For capacitive load life, when the contactor is used to control the main circuit of charge and discharge, the pre-charge circuit should be added. If there is no pre-charging path, a transient large current will be generated when the contactor closes, which may cause the contactor to stick.		
Electrical Characteristics		
Dielectric Withstand Voltage	AC3000V	
Insulation Resistance	≥1000MΩ@1000VDC	
Nominal Insulation Voltage Ui	1000V	

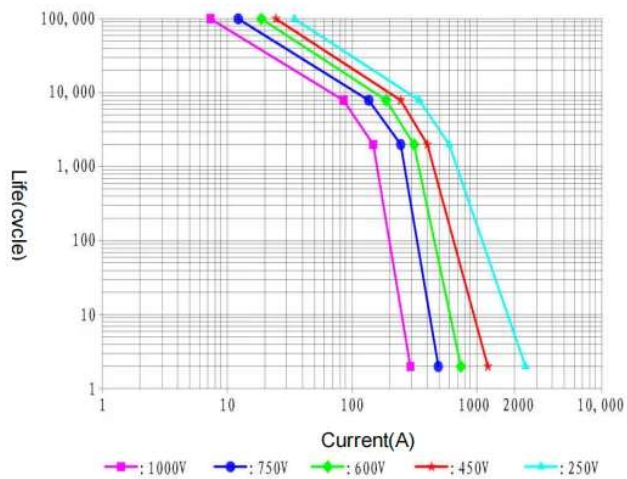
Environmental Characteristics		
Shock	Stability test	196m/s ² (20G)
	Strength test	490m/s ² (50G)
Resistance To Vibration	10-2000Hz, 20G	
Operating Ambient Temperature	-40°C~+85°C	
Operating Ambient Humidity	5%-85% RH	
IP Grade	IP67(inner space)	
Altitude	≤4000m	

High Voltage DC Contactor

Short overload capacity curve



Cut-off life curve of resistive load

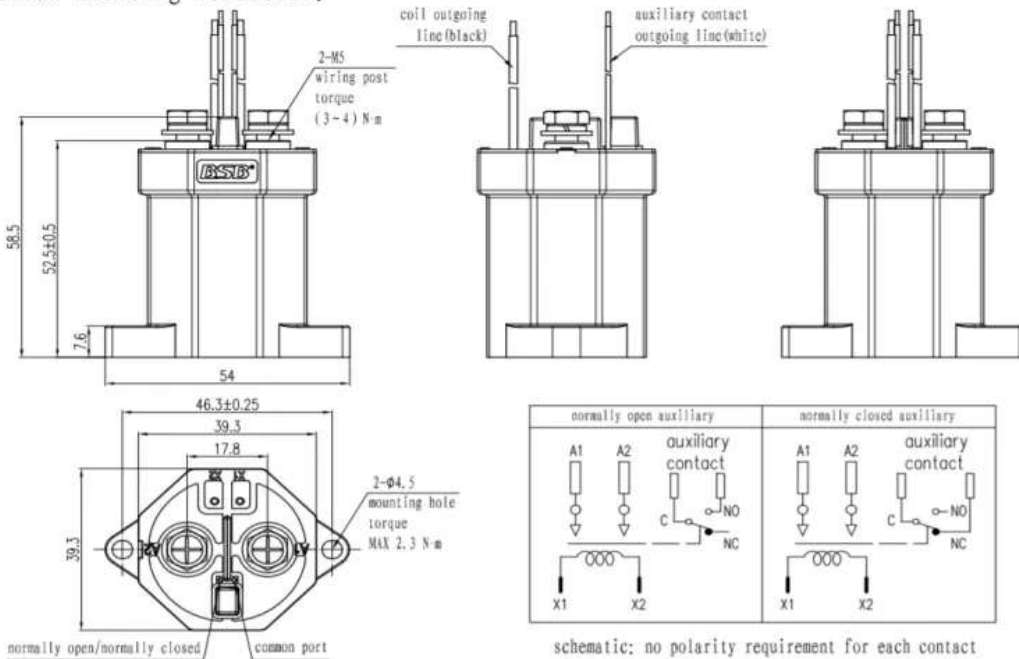


Note: Except for special note, the ambient temperature of electrical durability test is 23 °C, and the on-break ratio is: 1s: 9s

High Voltage DC Contactor

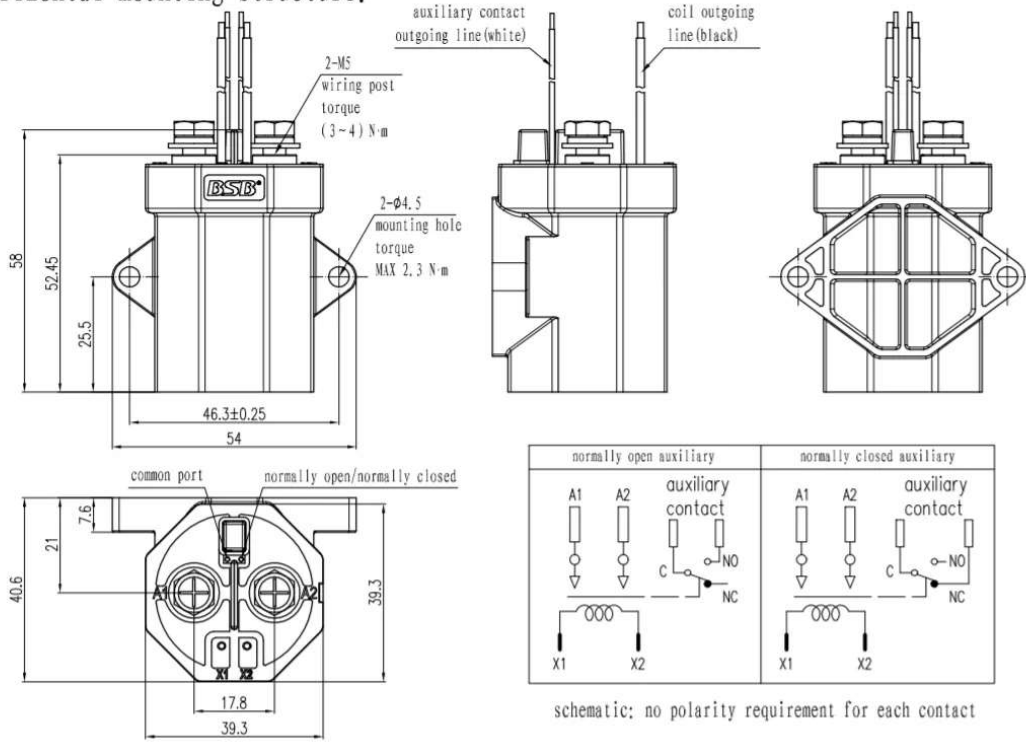
Standard

Vertical mounting structure:



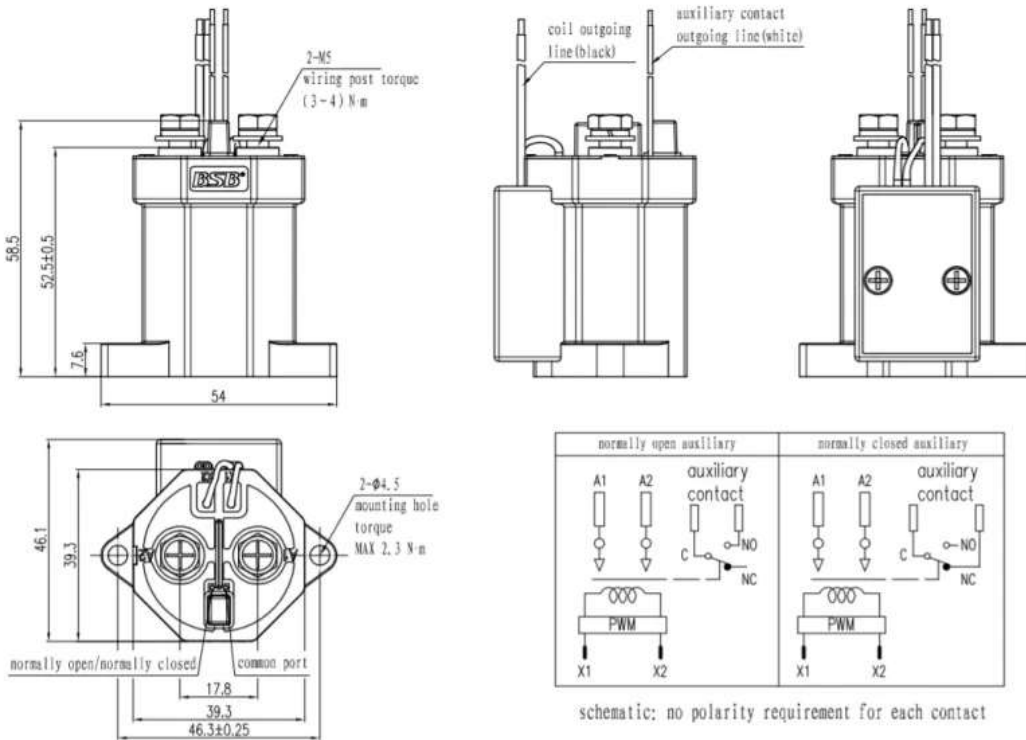
High Voltage DC Contactor

Horizontal mounting structure:



High Voltage DC Contactor

Energy-saving



Note: Control coil wire length 300 ± 20 mm

Product without tolerance, when ≤ 10 mm, tolerance ± 0.3 mm

When dimension between 10~50 mm, tolerance ± 0.5 mm

When dimension ≥ 50 mm, tolerance ± 0.8 mm