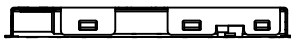
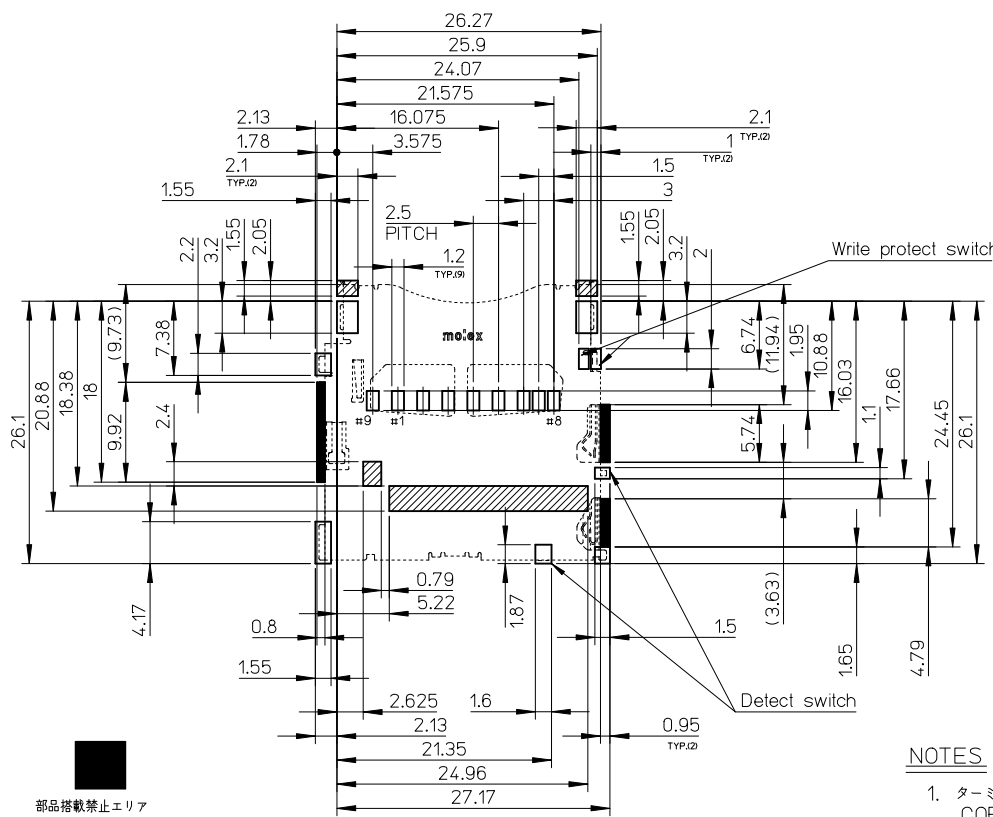


503500-0991	9
EMBOSSED TAPE	極数
ORDER No. オーダー番号	CIRCUITS
CONNECTOR SERIES NO. 503500-***11	



REVISED EC NO: J2010-1552 DRWN: YNAITO 2010/02/01 CHKD: MTOMITA 2010/02/01 APPR: NUKITA 2010/02/01	GENERAL TOLERANCES (UNLESS SPECIFIED)		DIMENSION STYLE	SCALE	DESIGN UNITS	THIRD ANGLE PROJECTION
	10 UNDER ± 0.2		MM ONLY	2:1	METRIC	
	10 OVER 30 UNDER ± 0.25		DRAWN BY	DATE	TITLE	
	30 OVER ± 0.3		YNAITO	2009/09/11	SD CARD CONN.PUSH/PUSH NORMAL ASSY	
B REV	ANGULAR ± 1 °		CHECKED BY	DATE	MOLEX INCORPORATED	
	DRAFT WHERE APPLICABLE MUST REMAIN WITHIN DIMENSIONS		MTOMITA	2009/09/11	DOCUMENT NO.	
			APPROVED BY	DATE	SD-503500-001	
			NUKITA	2009/09/11	SHEET NO.	
		MATERIAL NO.		1 OF 2		
		SEE CHART		THIS DRAWING CONTAINS INFORMATION THAT IS PROPRIETARY TO MOLEX INCORPORATED AND SHOULD NOT BE USED WITHOUT WRITTEN PERMISSION		



部品搭載禁止エリア  
PROHIBITED AREA

パターン禁止エリア  
PATTERN PROHIBITION AREA  
注: コネクタ投影面上の半田付けは禁止

RECOMMENDED  
PCB PATTERN LAYOUT  
(GENERAL TOLERANCE : ±0.05)

2. 各スイッチのオープン/クローズ  
OPENING/CLOSE OF EACH SWITCH

	プロテクトターミナル PROTECT TERMINAL		ディテクトターミナル DETECT TERMINAL
	カード書き込み 禁止状態 WRITE PROTECT POSITION	カード書き込み 可能状態 WRITE ENABLE POSITION	
カード未装着状態 CARD UNINSERTION	オープン OPEN	オープン OPEN	オープン OPEN
カード装着 AFTER CARD INSERTION	オープン OPEN	クローズ CLOSE	クローズ CLOSE

番号 No.	名称 NAME	材料 MATERIAL
①	ハウジング HOUSING	耐熱樹脂 HEAT RESISTANCE POLYMER
②	ターミナル TERMINAL	銅合金、接点部: 金めっき 半田付部: 錫めっき 下地: ニッケルめっき COPPER ALLOY, CONTACT AREA: GOLD TAIL AREA: TIN UNDER PLATING: NICKEL
③	メタルシェル METAL SHELL	銅合金 COPPER ALLOY
④	カムスライダ CAM SLIDER	耐熱樹脂 HEAT RESISTANCE POLYMER
⑤	ディテクトスイッチ DETECT SWITCH	銅合金、接点部: 金めっき 半田付部: 金めっき 下地: ニッケルめっき COPPER ALLOY, CONTACT AREA: GOLD TAIL AREA: GOLD UNDER PLATING: NICKEL
⑥	ライトプロテクト スイッチ WRITE PROTECT SWITCH	銅合金、接点部: 金めっき 半田付部: 錫めっき 下地: ニッケルめっき COPPER ALLOY, CONTACT AREA: GOLD TAIL AREA: TIN UNDER PLATING: NICKEL
⑦	スプリング SPRING	ピアノ線 SWP
⑧	カムピン CAM PIN	ステンレス鋼 STAINLESS STEEL

CONFIDENTIAL

NOTES

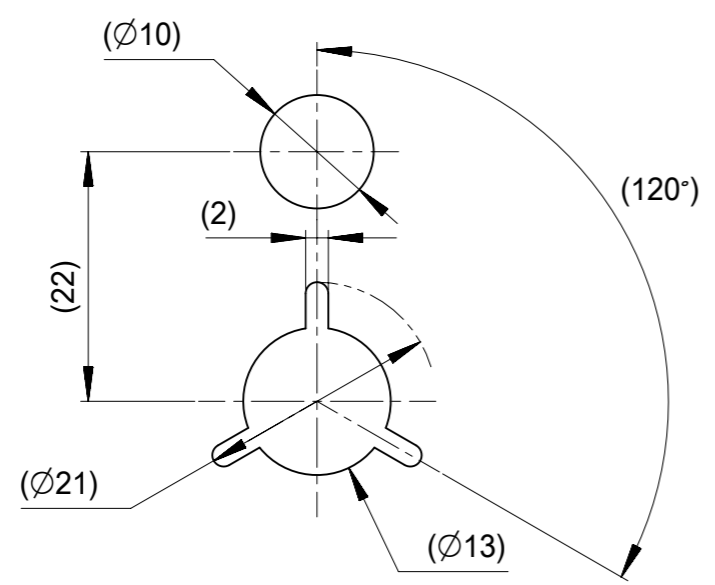
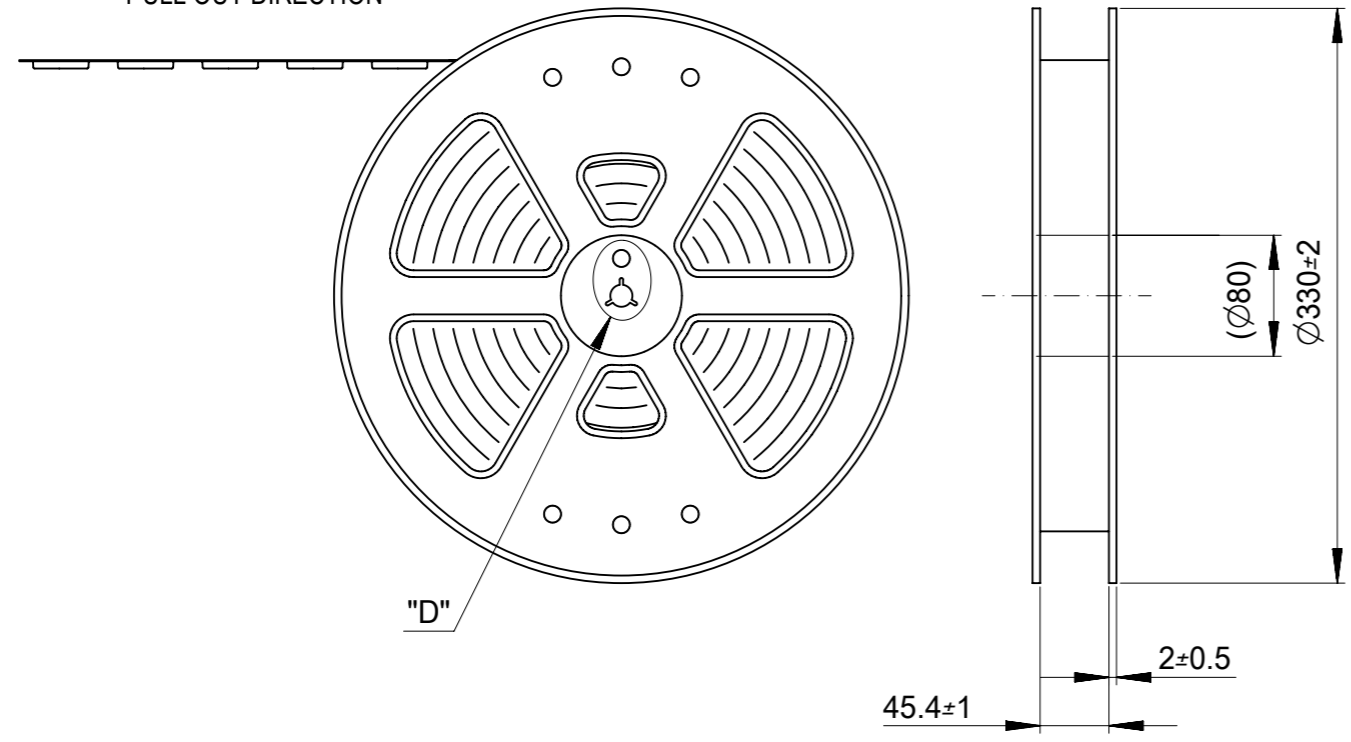
- ターミナル及びネイルの平坦度は0.1MAX.とする。  
COPLANARITY OF TERMINAL AND NAIL IS TO BE 0.1MAX.
- ロット印字は任意とする  
LOT NUMBERING IS TO BE OPTIONAL.
- 肉抜き位置は任意とする。  
CAVITY IS TO BE OPTIONAL.
- 本製品の側面にはカード挿抜時に一部金属が突出する箇所があります。  
該当箇所は部品搭載禁止エリアとなりますので、ご注意ください。  
There are the places that the part of metal stands out at the side of the connector when the card insertion. The area is prohibited to place the other parts.

6. ELV及びRoHS適合品  
ELV AND RoHS COMPLIANT.

ロットNo. : 9 07 0 7 0  
西暦(1桁目) MONTH 7 : 7月  
THE YEAR OF GRACE 10 : 10月  
9 : 2009年 DAY 07 : 07日  
ラインNo. LINE No.

SEE SHEET 1 OF 2 EC NO. J2010-1552 DRWN: YNAITO 2010/02/01 CHKD: MTOMITA 2010/02/01 APPR: NUKITA 2010/02/01	GENERAL TOLERANCES (UNLESS SPECIFIED)		DIMENSION STYLE MM ONLY		SCALE 2:1	DESIGN UNITS METRIC	THIRD ANGLE PROJECTION
	10 UNDER	±0.2	DRAWN BY YNAITO	DATE 2009/09/11	TITLE SD CARD CONN.PUSH/PUSH NORMAL ASSY		
	10 OVER 30 UNDER	±0.25	CHECKED BY MTOMITA	DATE 2009/09/11	MOLEX INCORPORATED		
	30 OVER	±0.3	APPROVED BY NUKITA	DATE 2009/09/11	DOCUMENT NO. SD-503500-001	SHEET NO. 2 OF 2	
	ANGULAR ±1°	DRAFT WHERE APPLICABLE MUST REMAIN WITHIN DIMENSIONS		SEE SHEET 1 OF 2		THIS DRAWING CONTAINS INFORMATION THAT IS PROPRIETARY TO MOLEX INCORPORATED AND SHOULD NOT BE USED WITHOUT WRITTEN PERMISSION	

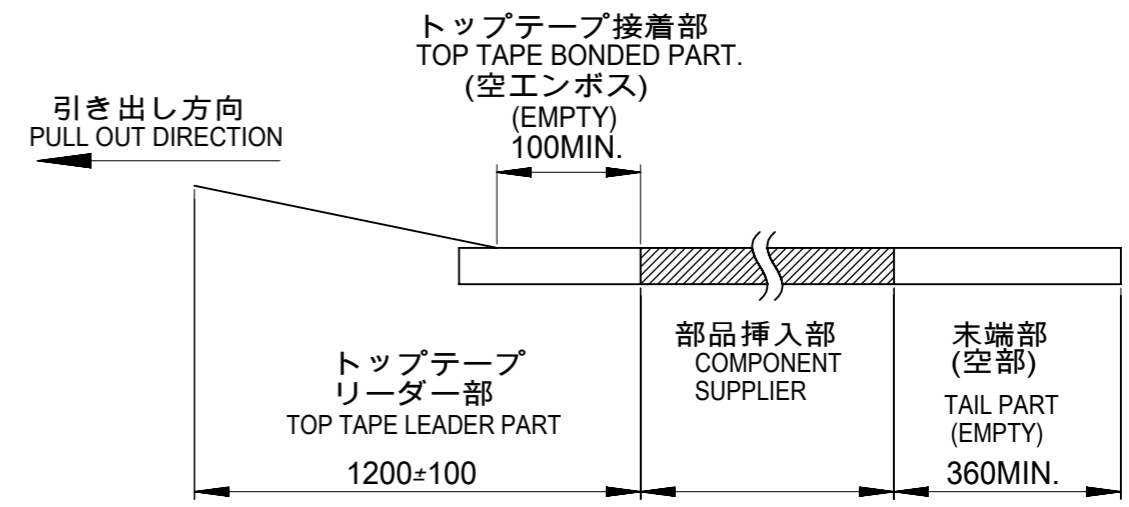
引き出し方向  
PULL OUT DIRECTION



DETAIL "D"

NOTES

- 製品詳細寸法については、SD 図面を参照下さい。  
RE DETAILED DIMENSION, SEE SALES DRAWING.
- 梱包数量 : 300個 / リール  
NUMBER OF CONNECTORS : 300 PCS/REEL.
- リードテープ長さ LEAD TAPE LENGTH.

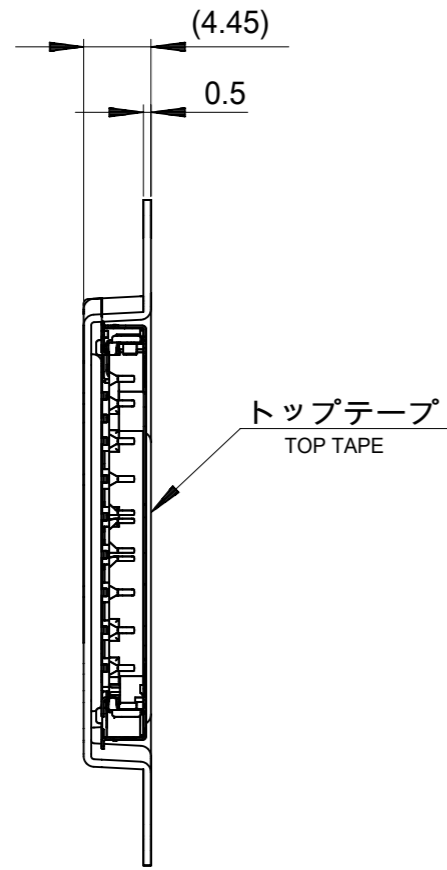


4. 材料 MATERIAL

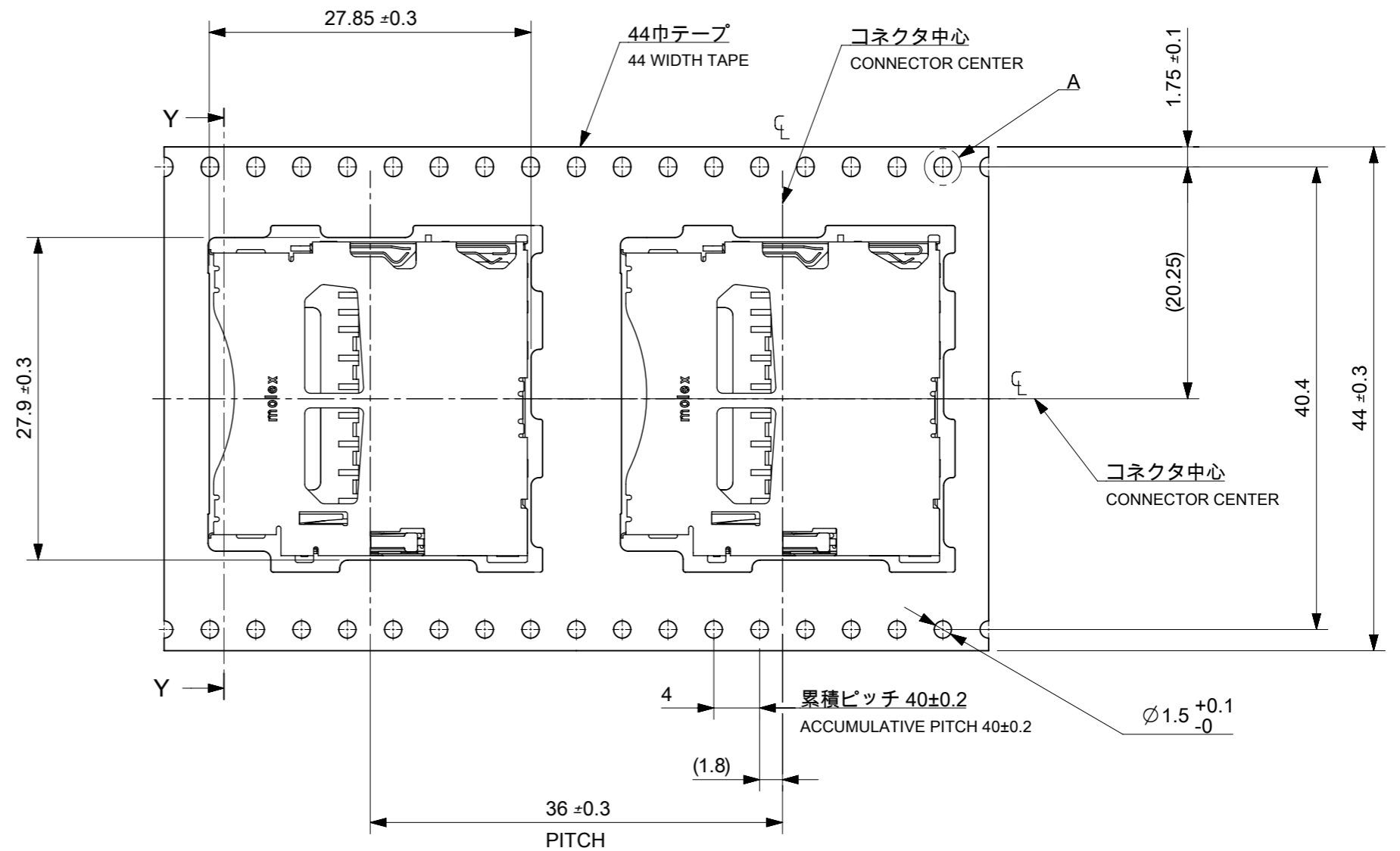
キャリアテープ (CARRIER TAPE): ポリスチレン (POLYSTYRENE)  
 トップテープ (TOP TAPE): PET, PE, PEF  
 リール (REEL): ポリスチレン (PS) <リサイクル材含む>  
 POLYSTYRENE (PS)<RECYCLE MATERIAL CONTAINED>

503500-0991	9
EMBOSSSED TAPE	極数
ORDER No. オーダー番号	CIRCUITS
CONNECTOR SERIES NO. 503500-**11	
DOCUMENT STATUS	P1
RELEASE DATE	2020/07/22 07:08:17

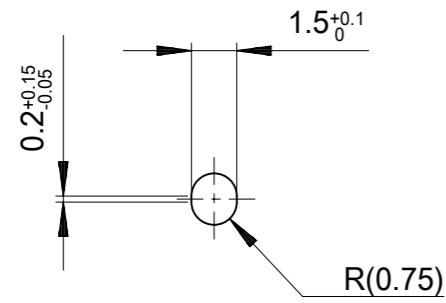
THIS DRAWING CONTAINS INFORMATION THAT IS PROPRIETARY TO MOLEX ELECTRONIC TECHNOLOGIES, LLC AND SHOULD NOT BE USED WITHOUT WRITTEN PERMISSION		CURRENT REV DESC:		<b>molex</b>	
DIMENSION UNITS	SCALE	EC NO: 641842			
mm	4:1	DRWN: YHONDA01 2020/06/29		SD CARD CONN. NORMAL PUSH/PUSH EMBOSSSED TAPE PACKAGE	
GENERAL TOLERANCES (UNLESS SPECIFIED)		CHK'D: YNOGAWA 2020/07/22		PRODUCT CUSTOMER DRAWING	
ANGULAR TOL	± 1.0 °	APPR: ASHIMOTSU 2020/07/22		DOCUMENT NUMBER	
4 PLACES	± 0.2	INITIAL REVISION:		SD-503500-002	
3 PLACES	± 0.25	DRWN: YNAITO 2010/01/15		PSD 001 E	
2 PLACES	± 0.3	APPR: NUKITA 2010/01/18		MATERIAL NUMBER	
1 PLACE	±	DRAFT WHERE APPLICABLE MUST REMAIN WITHIN DIMENSIONS		CUSTOMER	
0 PLACES	±	THIRD ANGLE PROJECTION		GENERAL MARKET	
		DRAWING		SHEET NUMBER	
		A3-SIZE		1 OF 2	
		SERIES			
		503500			



SECTION Y-Y



引き出し方向  
PULL OUT DIRECTION



DETAIL A  
(5-1)

THIS DRAWING CONTAINS INFORMATION THAT IS PROPRIETARY TO MOLEX ELECTRONIC TECHNOLOGIES, LLC AND SHOULD NOT BE USED WITHOUT WRITTEN PERMISSION									
DIMENSION UNITS <b>mm</b>		SCALE <b>4:1</b>		CURRENT REV DESC:				<b>molex</b>	
GENERAL TOLERANCES (UNLESS SPECIFIED)				EC NO: 641842					
ANGULAR TOL ± 1.0 °				DRWN: YHONDA01 2020/06/29				SD CARD CONN. NORMAL PUSH/PUSH EMBOSSED TAPE PACKAGE	
4 PLACES ± 0.2				CHK'D: YNOGAWA 2020/07/22				PRODUCT CUSTOMER DRAWING	
3 PLACES ± 0.25				APPR: ASHIMOTSU 2020/07/22				DOCUMENT NUMBER	
2 PLACES ± 0.3				INITIAL REVISION:				SD-503500-002	
1 PLACE ±				DRWN: YNAITO 2010/01/15				DOC TYPE	
0 PLACES ±				APPR: NUKITA 2010/01/18				PSD	
DRAFT WHERE APPLICABLE MUST REMAIN WITHIN DIMENSIONS		THIRD ANGLE PROJECTION		DRAWING A3-SIZE		SERIES 503500		CUSTOMER GENERAL MARKET	
						SHEET NUMBER 2 OF 2			