

## Wide Dynamic Range Microphone with PDM Digital Output

### GENERAL DESCRIPTION

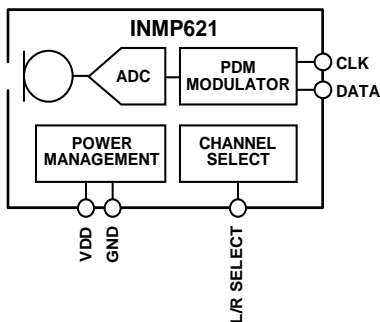
The INMP621\* is a high sound pressure level (SPL), ultra-low noise, low power, digital output, bottom ported omnidirectional MEMS microphone. This microphone clips at 133 dB SPL, which is useful for clearly capturing audio in loud environments. The INMP621 consists of a MEMS microphone element and an impedance converter amplifier followed by a fourth-order  $\Sigma$ - $\Delta$  modulator. The digital interface allows the pulse density modulated (PDM) output of two microphones to be time multiplexed on a single data line using a single clock. The INMP621 is pin compatible with the INMP421 and INMP521 microphones, providing an easy upgrade path.

The INMP621 has a high SNR of 65 dBA and sensitivity of -46 dBFS. The INMP621 has an extended wideband frequency response, resulting in natural sound with high intelligibility. Low current consumption and a sleep mode at less than 5.5  $\mu$ A enables long battery life for portable applications.

The INMP621 is available in a thin 4 x 3 x 1 mm surface-mount package. It is reflow solder compatible with no sensitivity degradation.

*\*Protected by U.S. Patents 7,449,356; 7,825,484; 7,885,423; and 7,961,897. Other patents are pending.*

### FUNCTIONAL BLOCK DIAGRAM



### APPLICATIONS

- Tablet Computers
- Notebook PCs
- Smartphones
- Microphone Arrays
- Teleconferencing Systems
- Digital Still and Video Cameras
- Bluetooth Headsets
- Security and Surveillance

### FEATURES

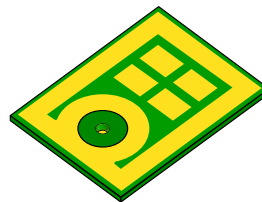
- High Acoustic Overload Point of 133 dB SPL
- Small, Thin 4 x 3 x 1 mm Surface-Mount Package
- Omnidirectional Response
- Very High Signal-to-Noise Ratio (SNR): 65 dBA
- Sensitivity of -46 dBFS
- Extended Frequency Response from 45 Hz to >20 kHz
- Low Current Consumption: 1.2 mA
- Sleep Mode for Extended Battery Life: 5.5  $\mu$ A
- High Power Supply Rejection (PSR): -100 dBFS
- Fourth-Order  $\Sigma$ - $\Delta$  Modulator
- Digital Pulse Density Modulation (PDM) Output
- Compatible with Sn/Pb and Pb-Free Solder Processes
- RoHS/WEEE Compliant

### ORDERING INFORMATION

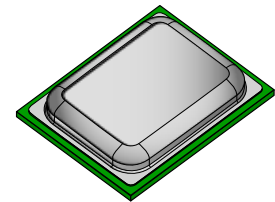
PART	TEMP RANGE
INMP621ACEZ-R0*	-40°C to +85°C
INMP621ACEZ-R7†	-40°C to +85°C
EV_INMP621-FX	—

\* - 13" Tape and Reel

† - 7" Tape and reel to be discontinued. Check with [sales@invensense.com](mailto:sales@invensense.com) for availability.



BOTTOM



TOP

**TABLE OF CONTENTS**

General Description ..... 1

Functional Block Diagram ..... 1

Applications ..... 1

Features ..... 1

Ordering Information ..... 1

Table of Contents ..... 2

Specifications ..... 4

Table 1. Electrical Characteristics ..... 4

Table 2. Timing Characteristics ..... 5

Timing Diagram ..... 5

Absolute Maximum Ratings ..... 6

Table 3. Absolute Maximum Ratings ..... 6

ESD Caution ..... 6

Soldering Profile ..... 7

Table 4. Recommended Soldering Profile\* ..... 7

Pin Configurations And Function Descriptions ..... 8

Table 5. Pin Function Descriptions ..... 8

Typical Performance Characteristics ..... 9

Theory Of Operation ..... 10

PDM Data Format ..... 10

Table 6. INMP621 Channel Setting ..... 10

PDM Microphone Sensitivity ..... 11

Dynamic Range Considerations ..... 12

Connecting PDM Microphones ..... 12

Sleep Mode ..... 14

Start-Up Time ..... 14

Supporting Documents ..... 15

Evaluation Board User Guide ..... 15

Application Note (Product Specific) ..... 15

Application Notes (General) ..... 15

PCB Design And Land Pattern Layout ..... 16

Alternative PCB Land Patterns ..... 17

PCB Material And Thickness ..... 17

Handling Instructions ..... 18

Pick And Place Equipment ..... 18

Reflow Solder ..... 18

---

Board Wash..... 18

Outline Dimensions..... 18

Ordering Guide ..... 19

Revision History ..... 19

    Compliance Declaration Disclaimer: ..... 20

    Environmental Declaration Disclaimer: ..... 20

**SPECIFICATIONS**

**TABLE 1. ELECTRICAL CHARACTERISTICS**

(T<sub>A</sub> = -40 to 85°C, V<sub>DD</sub> = 1.8 to 3.3 V, CLK = 3.072 MHz, C<sub>LOAD</sub> = 30 pF, unless otherwise noted. All minimum and maximum specifications are guaranteed across temperature, voltage, and clock frequency specified in Table 1 and Table 2, unless otherwise noted. Typical specifications are not guaranteed.)

PARAMETER	CONDITIONS	MIN	TYP	MAX	UNITS	NOTES
<b>PERFORMANCE</b>						
Directionality			Omni			
Output Polarity	Input acoustic pressure vs. output data		Inverted			
Sensitivity	1kHz, 94 dB SPL	-48	-46	-44	dBFS	1, 2
Signal-to-Noise Ratio (SNR)	20 Hz to 20 kHz, A-weighted		65		dB	
Equivalent Input Noise (EIN)	20 Hz to 20 kHz, A-weighted		29		dB SPL	
Acoustic Dynamic Range Digital Dynamic Range	Derived from EIN and acoustic overload point		104		dB	2
	Derived from EIN and full-scale acoustic level		111		dB	
Frequency Response	Low frequency -3 dB point		45		Hz	3
	High frequency -3 dB point		>20		kHz	
Total Harmonic Distortion (THD)	105 dB SPL		0.35	1	%	
Power Supply Rejection (PSR)	217 Hz, 100 mV p-p square wave superimposed on V <sub>DD</sub> = 1.8 V, A-weighted		-100		dBFS	
Power Supply Rejection—Swept Sine	1 kHz sine wave		-113		dBFS	
Acoustic Overload Point	10% THD		133		dB SPL	
Full-Scale Acoustic Level	0 dBFS output		140		dB SPL	
<b>POWER SUPPLY</b>						
Supply Voltage (V <sub>DD</sub> )		1.62		3.63	V	
Supply Current (I <sub>S</sub> )						
V <sub>DD</sub> = 1.8 V	Normal Mode		1.2	1.5	mA	
	Sleep Mode			5.5	μA	4
V <sub>DD</sub> = 3.3 V	Normal Mode		1.3	1.6	mA	
	Sleep Mode			8	μA	4
<b>DIGITAL INPUT/OUTPUT CHARACTERISTICS</b>						
Input Voltage High (V <sub>IH</sub> )		0.65 x V <sub>DD</sub>			V	
Input Voltage Low (V <sub>IL</sub> )				0.35 x V <sub>DD</sub>	V	
Output Voltage High (V <sub>OH</sub> )	I <sub>LOAD</sub> = 0.5 mA	0.7 x V <sub>DD</sub>	V <sub>DD</sub>		V	
Output Voltage Low (V <sub>OL</sub> )	I <sub>LOAD</sub> = 0.5 mA		0	0.3 x V <sub>DD</sub>	V	
Output DC Offset	Percent of full scale		3		%	
Latency			<30		μs	
Noise Floor	20 Hz to 20 kHz, A-weighted		-111		dBFS	

**Note 1:** Sensitivity is relative to the RMS level of a sine wave with positive amplitude equal to 100% logical 1s density and negative amplitude equal to 0% logical 1s density.

**Note 2:** The  $\pm 2$  dB sensitivity specification is valid for CLK = 3.072 MHz. At lower clock frequencies, the minimum and maximum specifications are -49 dBFS and -43 dBFS, respectively.

**Note 3:** See Figure 4 and Figure 5.

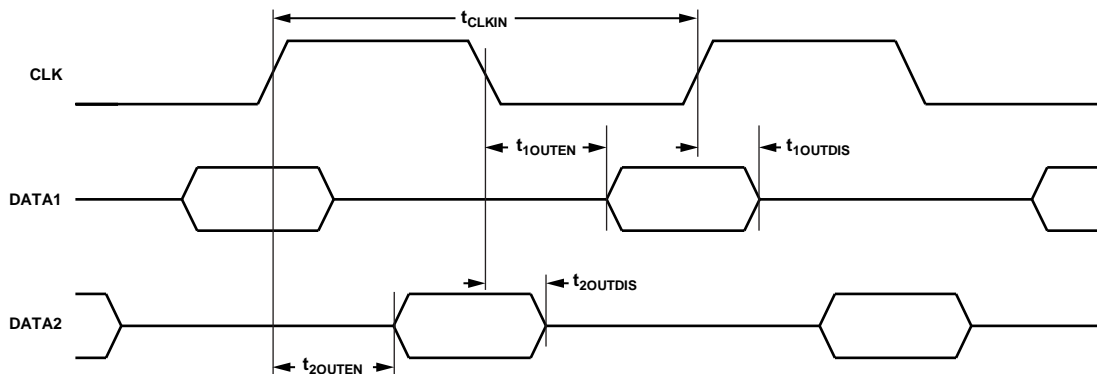
**Note 4:** The microphone enters sleep mode when the clock frequency is less than 1 kHz.

**TABLE 2. TIMING CHARACTERISTICS**

PARAMETER	CONDITIONS	MIN	TYP	MAX	UNITS	NOTES
<b>SLEEP MODE</b>						
Sleep Time	Time from CLK falling < 1 kHz		30		$\mu$ s	1
Wake-Up Time	Time from CLK rising > 1 kHz to output within 3 dB of final sensitivity, power on		10		ms	1
<b>INPUT</b>						
$t_{CLKIN}$	Input clock period	270		1000	ns	
Clock Frequency (CLK)		1.0	3.072	3.6	MHz	1
Clock Duty Cycle		40		60	%	
<b>OUTPUT</b>						
$T_{1OUTEN}$	DATA1 (right) driven after falling clock edge	31			ns	
$T_{1OUTDIS}$	DATA1 (right) disabled after rising clock edge	5		23	ns	
$T_{2OUTEN}$	DATA2 (left) driven after rising clock edge	31			ns	
$T_{2OUTDIS}$	DATA2 (left) disabled after falling clock edge	5		26	ns	

**Note 1:** The microphone operates at any clock frequency between 1.0 MHz and 3.6 MHz. Some specifications may not be guaranteed at frequencies other than 3.072 MHz.

**TIMING DIAGRAM**



**Figure 1. Pulse Density Modulated Output Timing**

**ABSOLUTE MAXIMUM RATINGS**

Stress above those listed as Absolute Maximum Ratings may cause permanent damage to the device. These are stress ratings only and functional operation of the device at these conditions is not implied. Exposure to the absolute maximum ratings conditions for extended periods may affect device reliability.

**TABLE 3. ABSOLUTE MAXIMUM RATINGS**

PARAMETER	RATING
Supply Voltage (VDD)	-0.3 V to +3.63 V
Digital Pin Input Voltage	-0.3 V to (VDD) + 0.3 V or 3.63 V, whichever is less
Sound Pressure Level	160 dB
Mechanical Shock	10,000 <i>g</i>
Vibration	Per MIL-STD-883 Method 2007, Test Condition B
Operating Temperature Range	-40°C to +85°C
Storage Temperature Range	-55°C to +150°C

**ESD CAUTION**



ESD (electrostatic discharge) sensitive device. Charged devices and circuit boards can discharge without detection. Although this product features patented or proprietary protection circuitry, damage may occur on devices subjected to high energy ESD. Therefore proper ESD precautions should be taken to avoid performance degradation or loss of functionality.

SOLDERING PROFILE

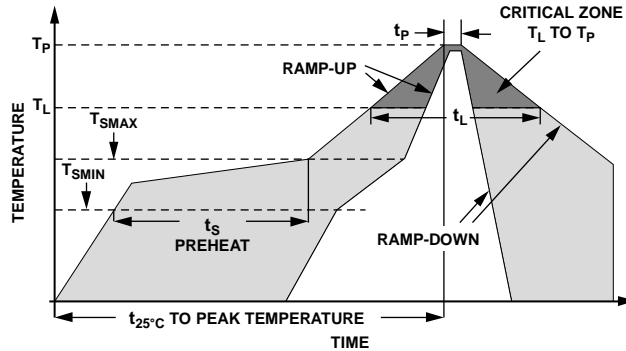


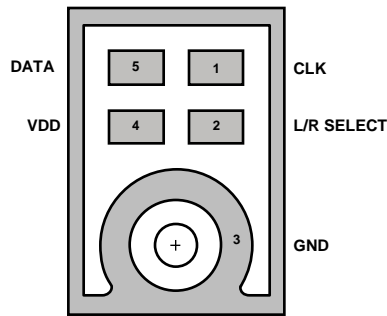
Figure 2. Recommended Soldering Profile Limits

TABLE 4. RECOMMENDED SOLDERING PROFILE\*

PROFILE FEATURE		Sn63/Pb37	Pb-Free
Average Ramp Rate ( $T_L$ to $T_P$ )		1.25°C/sec max	1.25°C/sec max
Preheat	Minimum Temperature ( $T_{SMIN}$ )	100°C	100°C
	Minimum Temperature ( $T_{SMIN}$ )	150°C	200°C
	Time ( $T_{SMIN}$ to $T_{SMAX}$ ), $t_s$	60 sec to 75 sec	60 sec to 75 sec
Ramp-Up Rate ( $T_{SMAX}$ to $T_L$ )		1.25°C/sec	1.25°C/sec
Time Maintained Above Liquidous ( $t_L$ )		45 sec to 75 sec	~50 sec
Liquidous Temperature ( $T_L$ )		183°C	217°C
Peak Temperature ( $T_P$ )		215°C +3°C/-3°C	260°C +0°C/-5°C
Time Within +5°C of Actual Peak Temperature ( $t_p$ )		20 sec to 30 sec	20 sec to 30 sec
Ramp-Down Rate		3°C/sec max	3°C/sec max
Time +25°C ( $t_{25^\circ\text{C}}$ ) to Peak Temperature		5 min max	5 min max

\*The reflow profile in Table 4 is recommended for board manufacturing with InvenSense MEMS microphones. All microphones are also compatible with the J-STD-020 profile.

**PIN CONFIGURATIONS AND FUNCTION DESCRIPTIONS**



**Figure 3. Pin Configuration**

**TABLE 5. PIN FUNCTION DESCRIPTIONS**

PIN	NAME	FUNCTION
1	CLK	Clock Input to Microphone
2	L/R SELECT	Left Channel or Right Channel Select: DATA 1 (right): L/R SELECT tied to GND DATA 2 (left): L/R SELECT tied to VDD
3	GND	Ground
4	VDD	Power Supply. For best performance and to avoid potential parasitic artifacts, place a 0.1 $\mu$ F (100 nF) ceramic type X7R capacitor between Pin 4 (VDD) and ground. Place the capacitor as close to Pin 4 as possible.
5	DATA	Digital Output Signal (DATA1 or DATA2)



TYPICAL PERFORMANCE CHARACTERISTICS

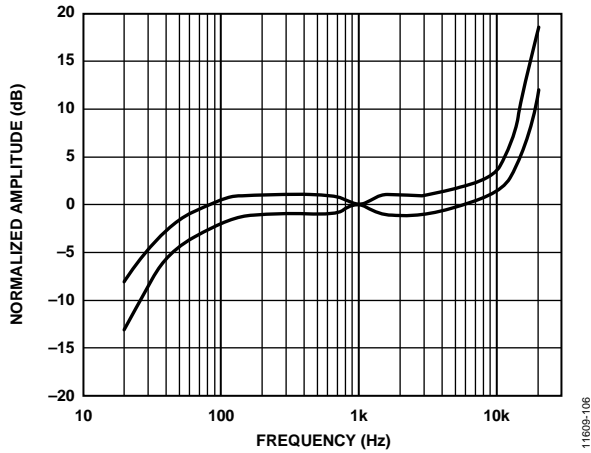


Figure 4. Frequency Response Mask

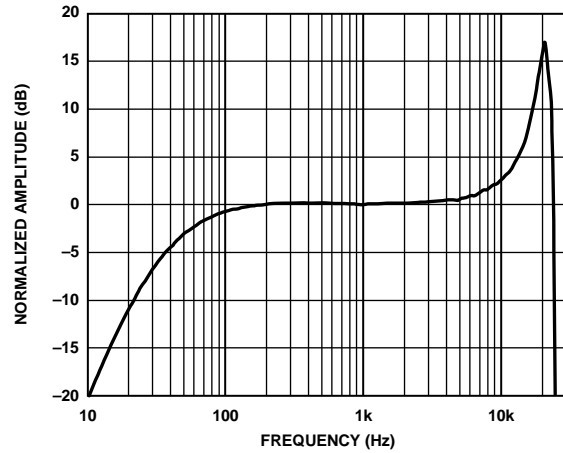


Figure 5. Typical Frequency Response (Measured)

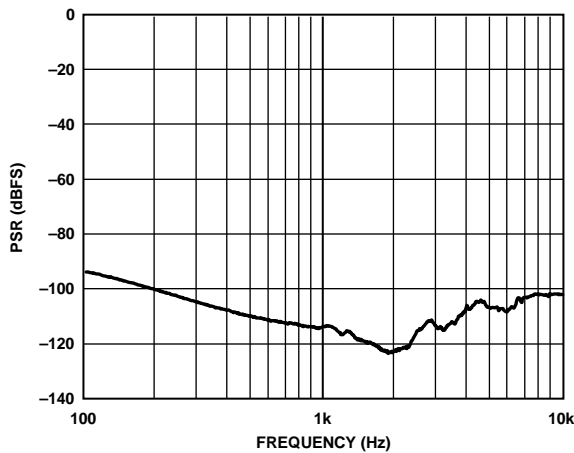


Figure 6. PSR vs. Frequency, 100 mV p-p Swept Sine Wave

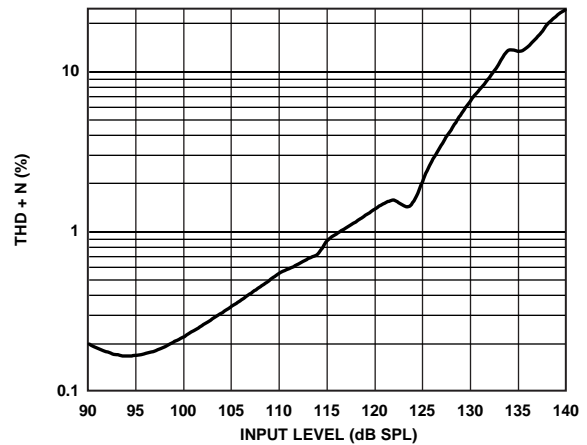


Figure 7. Total Harmonic Distortion + Noise (THD+N) vs. Input SPL

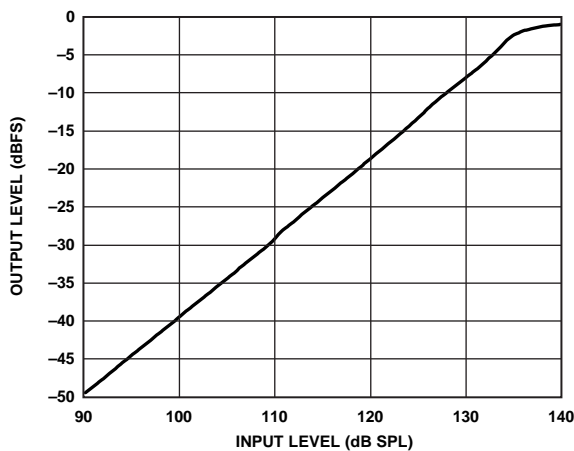


Figure 8. Linearity

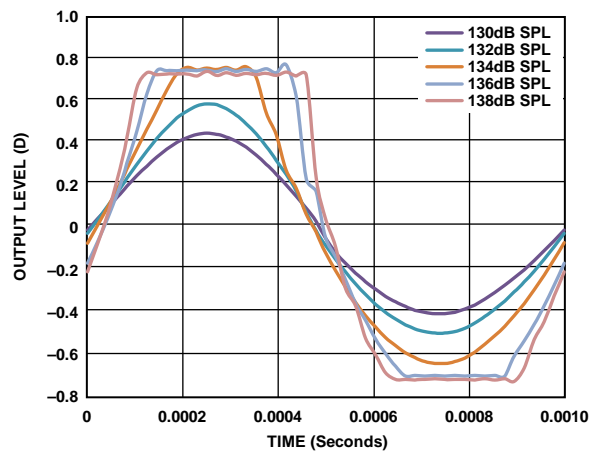
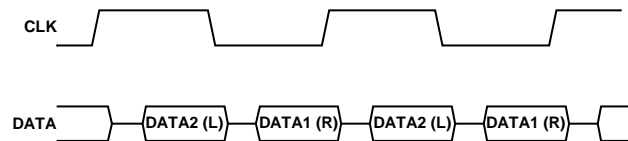


Figure 9. Clipping Characteristics

## THEORY OF OPERATION

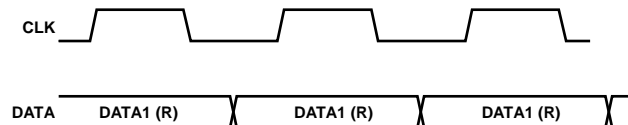
### PDM DATA FORMAT

The output from the DATA pin of the INMP621 is in pulse density modulated (PDM) format. This data is the 1-bit output of a fourth-order  $\Sigma$ - $\Delta$  modulator. The data is encoded so that the left channel is clocked on the falling edge of CLK, and the right channel is clocked on the rising edge of CLK. After driving the DATA signal high or low in the appropriate half frame of the CLK signal, the DATA driver of the microphone tristates. In this way, two microphones, one set to the left channel and the other to the right, can drive a single DATA line. See Figure 1 for a timing diagram of the PDM data format; the DATA1 and DATA2 lines shown in this figure are two halves of the single physical DATA signal. Figure 10 shows a diagram of the two stereo channels sharing a common DATA line.



**Figure 10. Stereo PDM Format**

If only one microphone is connected to the DATA signal, the output is only clocked on a single edge (Figure 11). For example, a left channel microphone is never clocked on the rising edge of CLK. In a single microphone application, each bit of the DATA signal is typically held for the full CLK period until the next transition because the leakage of the DATA line is not enough to discharge the line while the driver is tristated.



**Figure 11. Mono PDM Format**

See Table 6 for the channel assignments according to the logic level on the L/R SELECT pin.

**TABLE 6. INMP621 CHANNEL SETTING**

L/R SELECT Pin Setting	Channel
Low (tie to GND)	Right (DATA1)
High (tie to VDD)	Left (DATA2)

For PDM data, the density of the pulses indicates the signal amplitude. A high density of high pulses indicates a signal near positive full scale, and a high density of low pulses indicates a signal near negative full scale. A perfect zero (DC) audio signal shows an alternating pattern of high and low pulses.

The output PDM data signal has a small DC offset of about 3% of full scale. A high-pass filter in the codec that is connected to the digital microphone and does not affect the performance of the microphone typically removes this DC signal.

### PDM MICROPHONE SENSITIVITY

The sensitivity of a PDM output microphone is specified with the unit dBFS (decibels relative to digital full scale). A 0 dBFS sine wave is defined as a signal whose peak just touches the full-scale code of the digital word (see Figure 12). This measurement convention also means that signals with a different crest factor may have an RMS level higher than 0 dBFS. For example, a full-scale square wave has an RMS level of 3 dBFS.

This definition of a 0 dBFS signal must be understood when measuring the sensitivity of the INMP621. A 1 kHz sine wave at a 94 dB SPL acoustic input to the INMP621 results in an output signal with a  $-46$  dBFS level. The output digital word peaks at  $-46$  dB below the digital full-scale level. A common misunderstanding is that the output has an RMS level of  $-49$  dBFS; however, this is not true because of the definition of the 0 dBFS sine wave.

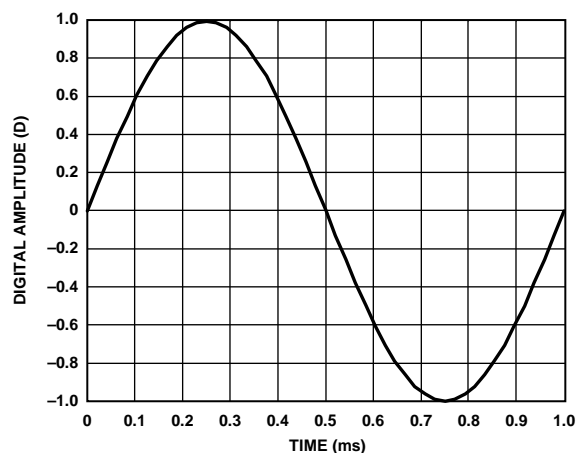


Figure 12. 1 kHz, 0 dBFS Sine Wave

There is not a commonly accepted unit of measurement to express the instantaneous level, as opposed to the RMS level of the signal, of a digital signal output from the microphone. Some measurement systems express the instantaneous level of an individual sample in units of D, where 1.0 D is digital full scale. In this case, a  $-46$  dBFS sine wave has peaks at 0.005 D.

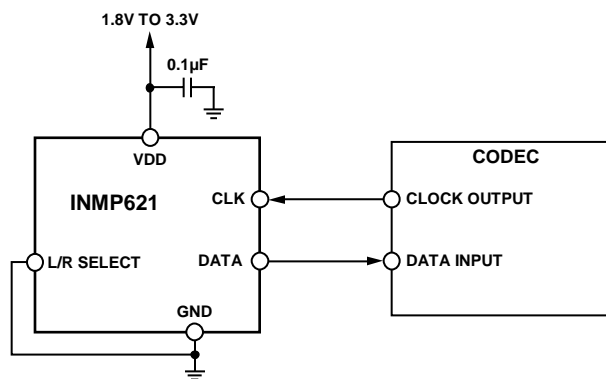
**DYNAMIC RANGE CONSIDERATIONS**

The full-scale digital output (0 dBFS) of the INMP621 is mapped to an acoustic input of 140 dB SPL. The microphone clips (THD = 10%) at 133 dB SPL (see Figure 7); however, it continues to output an increasingly distorted signal above that point. The peak output level, which is controlled by the modulator, limits at about -3 dBFS (see Figure 8).

To fully use the 111 dB digital dynamic range of the output data of the INMP621 in a design, the digital signal processor (DSP), analog-to-digital converter (ADC), or codec circuit following it must be chosen carefully. The decimation filter that inputs the PDM signal from the INMP621 must have a dynamic range sufficiently better than the dynamic range of the microphone so that the overall noise performance of the system is not degraded. If the decimation filter has a dynamic range of 10 dB better than the microphone (121 dB), the overall system noise only degrades by 0.4 dB.

**CONNECTING PDM MICROPHONES**

A PDM output microphone is typically connected to a codec with a dedicated PDM input. This codec separately decodes the left and right channels and filters the high sample rate modulated data back to the audio frequency band. This codec also generates the clock for the PDM microphones or is synchronous with the source that is generating the clock. Figure 13 and Figure 14 show mono and stereo connections of the INMP621 to a codec. The mono connection shows an INMP621 set to output data on the right channel. To output on the left channel, tie the L/R SELECT pin to VDD instead of tying it to GND.



**Figure 13. Mono PDM Microphone (Right Channel) Connection to Codec**

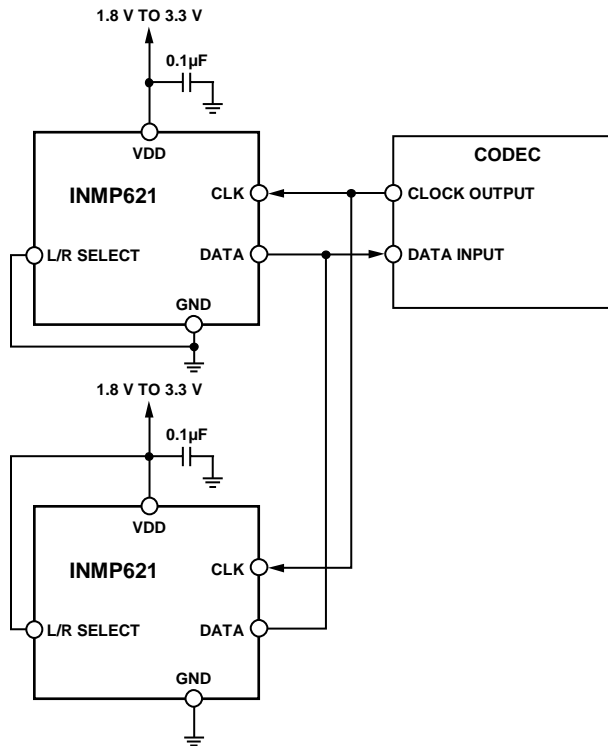


Figure 14. Stereo PDM Microphone Connection to Codec

Decouple the VDD pin of the INMP621 to GND with a 0.1 µF capacitor. Place this capacitor as close to VDD as the printed circuit board (PCB) layout allows.

Do not use a pull-up or pull-down resistor on the PDM data signal line because it can pull the signal to an incorrect state during the period that the signal line is tristated.

The DATA signal does not need to be buffered in normal use when the INMP621 microphone(s) is placed close to the codec on the PCB. If the DATA signal must be driven over a long cable (>15 cm) or other large capacitive load, a digital buffer may be required. Only use a signal buffer on the DATA line when one microphone is in use or after the point where two microphones are connected (see Figure 15). The DATA output of each microphone in a stereo configuration cannot be individually buffered because the two buffer outputs cannot drive a single signal line. If a buffer is used, take care to select one with low propagation delay so that the timing of the data connected to the codec is not corrupted.

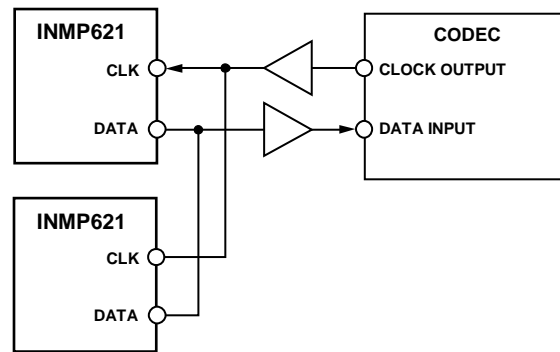


Figure 15. Buffered Connections Between Stereo INMP621s and a Codec

When long wires are used to connect the codec to the INMP621, a source termination resistor can be used on the clock output of the codec instead of a buffer to minimize signal overshoot or ringing. Match the value of this resistor to the characteristic impedance of the CLK trace on the PCB. Depending on the drive capability of the codec clock output, a buffer may still be needed, as shown in Figure 15.

### SLEEP MODE

The microphone enters sleep mode when the clock frequency falls below 1 kHz. In this mode, the microphone data output is in a high impedance state. The current consumption in sleep mode is less than 5.5  $\mu\text{A}$ .

The INMP621 enters sleep mode within 1ms of the clock frequency falling below 1 kHz. The microphone wakes up from sleep mode and begins to output data 32,768 cycles after the clock becomes active. For a 3.072 MHz clock, the microphone starts to output data in 10.7 ms. For a 2.4 MHz clock, the microphone starts to output data in 13.7 ms. The wake-up time, as specified in Table 2, indicates the time from when the clock is enabled to when the INMP621 outputs data within 3 dB of its settled sensitivity.

### START-UP TIME

The start-up time of the INMP621 from when the clock is active is the same as the wake-up time. The microphone starts up 32,768 cycles after the clock is active.

## **SUPPORTING DOCUMENTS**

For additional information, see the following documents.

### **EVALUATION BOARD USER GUIDE**

[UG-326](#) PDM Digital Output MEMS Microphone Evaluation Board

### **APPLICATION NOTE (PRODUCT SPECIFIC)**

[AN-0078](#) High Performance Digital MEMS Microphone Simple Interface to a SigmaDSP Audio Codec

### **APPLICATION NOTES (GENERAL)**

[AN-1003](#) Recommendations for Mounting and Connecting the Invensense, Bottom-Ported MEMS Microphones

[AN-1068](#) Reflow Soldering of the MEMS Microphone

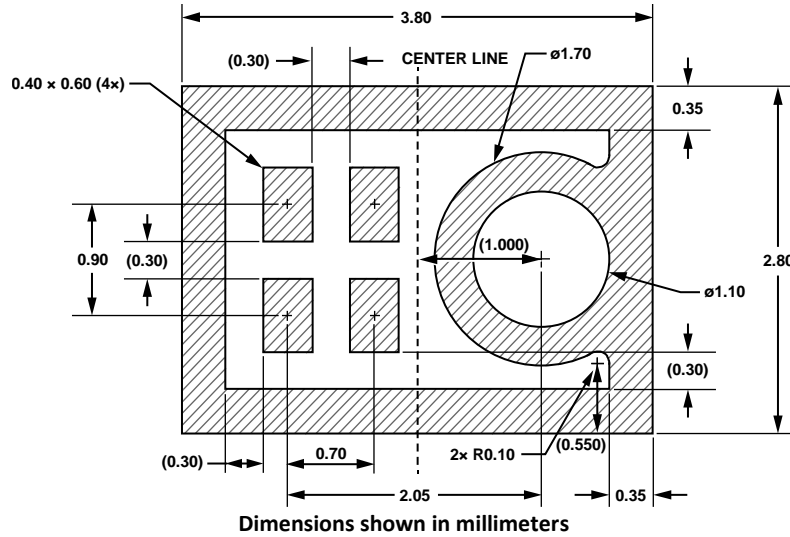
[AN-1112](#) Microphone Specifications Explained

[AN-1124](#) Recommendations for Sealing Invensense, Bottom-Port MEMS Microphones from Dust and Liquid Ingress

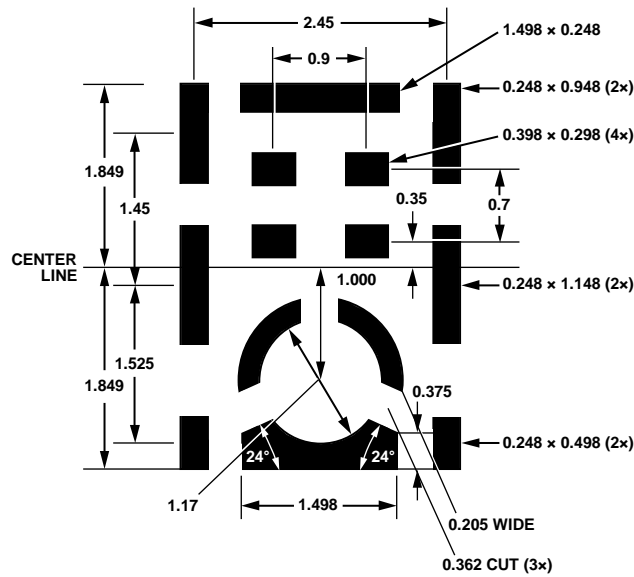
[AN-1140](#) Microphone Array Beamforming

**PCB DESIGN AND LAND PATTERN LAYOUT**

The response of the INMP621 is not affected by the PCB hole size as long as the hole is not smaller than the sound port of the microphone (0.25 mm, or 0.010 inch, in diameter). A 0.5 mm to 1 mm (0.020 inch to 0.040 inch) diameter for the hole is recommended. Take care to align the hole in the microphone package with the hole in the PCB. The exact degree of the alignment does not affect the microphone performance as long as the holes are not partially or completely blocked.



**Figure 16. Recommended PCB Land Pattern Layout**



**Figure 17. Suggested Solder Paste Stencil Pattern Layout**



### ALTERNATIVE PCB LAND PATTERNS

The standard PCB land pattern of the INMP621 has a solid rectangle around the edge of the footprint that can make routing the microphone signals more difficult in some board designs. This rectangle is used to improve the radio frequency (RF) immunity performance of the INMP621; however, it is not necessary to have this full rectangle connected for electrical functionality. If a design can tolerate reduced RF immunity, this rectangle can either be broken or removed completely from the PCB footprint. Figure 18 shows an example PCB land pattern with no enclosing rectangle around the edge of the part, and Figure 19 shows an example PCB land pattern with the rectangle broken on two sides so that the inner pads can be more easily routed on the PCB.

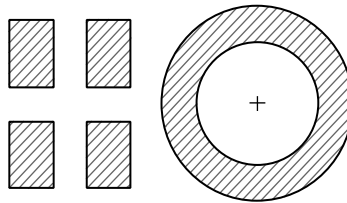


Figure 18. Example PCB Land Pattern with No Enclosing Rectangle

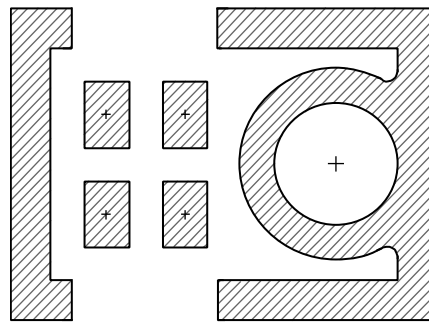


Figure 19. Example PCB Land Pattern with Broken Enclosing Rectangle

Note that in both of these patterns, the solid ring around the sound port is still present; this ring is needed to ground the microphone and for acoustic performance. The pad on the package connected to this ring is ground and still needs a solid electrical connection to the PCB ground. If a pattern like one of these two examples is used on a PCB, take care that the unconnected rectangle on the bottom of the INMP621 is not placed directly over any exposed copper. This ring on the microphone is still at ground, and any PCB traces routed underneath it must be properly masked to avoid short circuits.

### PCB MATERIAL AND THICKNESS

The performance of the INMP621 is not affected by PCB thickness and can be mounted on either a rigid or flexible PCB. A flexible PCB with the microphone can be attached directly to the device housing with an adhesive layer. This mounting method offers a reliable seal around the sound port, while providing the shortest acoustic path for good sound quality.

## HANDLING INSTRUCTIONS

### PICK AND PLACE EQUIPMENT

The MEMS microphone can be handled using standard pick-and-place and chip shooting equipment. Take care to avoid damage to the MEMS microphone structure as follows:

- Use a standard pickup tool to handle the microphone. Because the microphone hole is on the bottom of the package, the pickup tool can make contact with any part of the lid surface.
- Do not pick up the microphone with a vacuum tool that makes contact with the bottom side of the microphone. Do not pull air out of or blow air into the microphone port.
- Do not use excessive force to place the microphone on the PCB.

### REFLOW SOLDER

For best results, the soldering profile must be in accordance with the recommendations of the manufacturer of the solder paste used to attach the MEMS microphone to the PCB. It is recommended that the solder reflow profile not exceed the limit conditions specified in Figure 2 and Table 4.

### BOARD WASH

When washing the PCB, ensure that water does not make contact with the microphone port. Do not use blow-off procedures or ultrasonic cleaning.

## OUTLINE DIMENSIONS

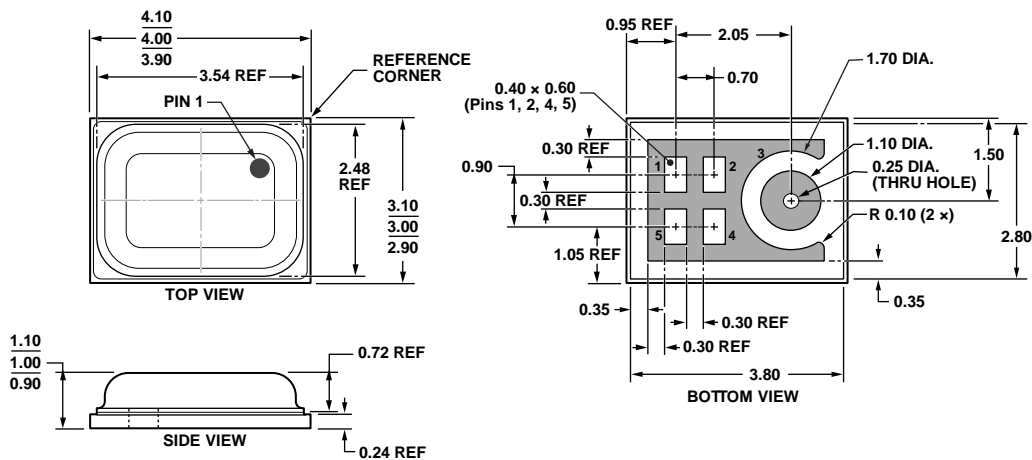
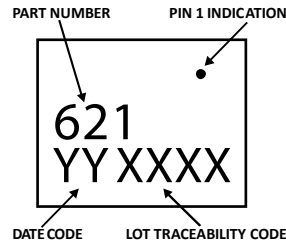


Figure 20. 5-Terminal Chip Array Small Outline No Lead Cavity [LGA\_CAV]  
4 mm x 3 mm Body  
Dimensions shown in millimeters

04-19-2012-G



**Figure 21. Package Marking Specification (Top View)**

**ORDERING GUIDE**

PART <sup>1</sup>	TEMP RANGE	PACKAGE	QUANTITY
INMP621ACEZ-R0*	-40°C to +85°C	5-Terminal LGA_CAV	5,000
INMP621ACEZ-R7†	-40°C to +85°C	5-Terminal LGA_CAV	1,000
EV_INMP621-FX	—	Flexible Evaluation Board	—

\* – 13” Tape and Reel

† – 7” Tape and reel is to be discontinued. Check with [sales@invensense.com](mailto:sales@invensense.com) for availability.

<sup>1</sup>Z = RoHS Compliant Part

**REVISION HISTORY**

REVISION DATE	REVISION	DESCRIPTION
02/06/2014	1.0	Initial Release

**Compliance Declaration Disclaimer:**

InvenSense believes this compliance information to be correct but cannot guarantee accuracy or completeness. Conformity documents for the above component constitutes are on file. InvenSense subcontracts manufacturing and the information contained herein is based on data received from vendors and suppliers, which has not been validated by InvenSense.

**Environmental Declaration Disclaimer:**

InvenSense believes this environmental information to be correct but cannot guarantee accuracy or completeness. Conformity documents for the above component constitutes are on file. InvenSense subcontracts manufacturing and the information contained herein is based on data received from vendors and suppliers, which has not been validated by InvenSense.

This information furnished by InvenSense is believed to be accurate and reliable. However, no responsibility is assumed by InvenSense for its use, or for any infringements of patents or other rights of third parties that may result from its use. Specifications are subject to change without notice. InvenSense reserves the right to make changes to this product, including its circuits and software, in order to improve its design and/or performance, without prior notice. InvenSense makes no warranties, neither expressed nor implied, regarding the information and specifications contained in this document. InvenSense assumes no responsibility for any claims or damages arising from information contained in this document, or from the use of products and services detailed therein. This includes, but is not limited to, claims or damages based on the infringement of patents, copyrights, mask work and/or other intellectual property rights.

Certain intellectual property owned by InvenSense and described in this document is patent protected. No license is granted by implication or otherwise under any patent or patent rights of InvenSense. This publication supersedes and replaces all information previously supplied. Trademarks that are registered trademarks are the property of their respective companies. InvenSense sensors should not be used or sold in the development, storage, production or utilization of any conventional or mass-destructive weapons or for any other weapons or life threatening applications, as well as in any other life critical applications such as medical equipment, transportation, aerospace and nuclear instruments, undersea equipment, power plant equipment, disaster prevention and crime prevention equipment.

©2014 InvenSense, Inc. All rights reserved. InvenSense, MotionTracking, MotionProcessing, MotionProcessor, MotionFusion, MotionApps, DMP, AAR, and the InvenSense logo are trademarks of InvenSense, Inc. Other company and product names may be trademarks of the respective companies with which they are associated.



©2014 InvenSense, Inc. All rights reserved.