

| REVISION RECORD | | | | |
|-----------------|-----|-------------|------|------|
| REV | ECN | DESCRIPTION | DRFT | DATE |

NOTES1:

UL Standard

1. Rated voltage/current : 300V / 15A
2. Withstanding voltage : AC1600V/1Min.
3. Torque value : M3 , 4.43Lb.in
4. Wire range : 28~12AWG

IEC Standard

| | | | | |
|----|--------------------------|------|-------|-------|
| 1. | Pollution degree | 2 | 2 | 3 |
| | Overvoltage category | II | III | III |
| | Rate impulse voltage(KV) | 4.0K | 4.0KV | 4.0KV |
| | Rate voltage(V) | 630V | 320V | 250V |
| | Rate current(A) | 12A | | |

2. Torque value : M3 , 0.5N·m

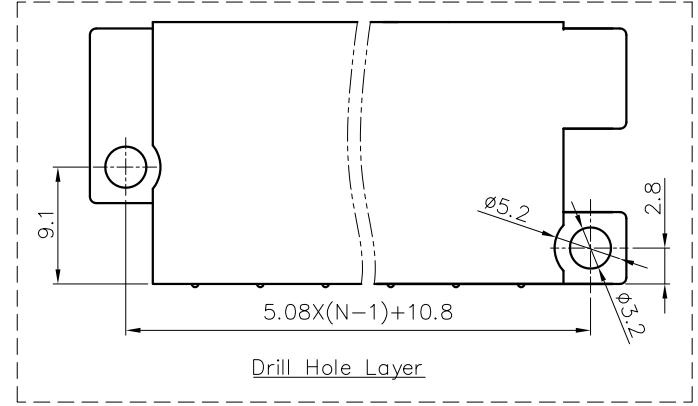
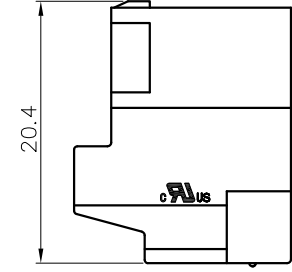
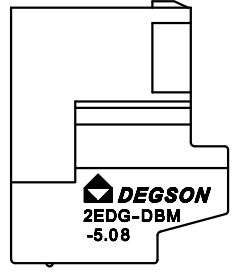
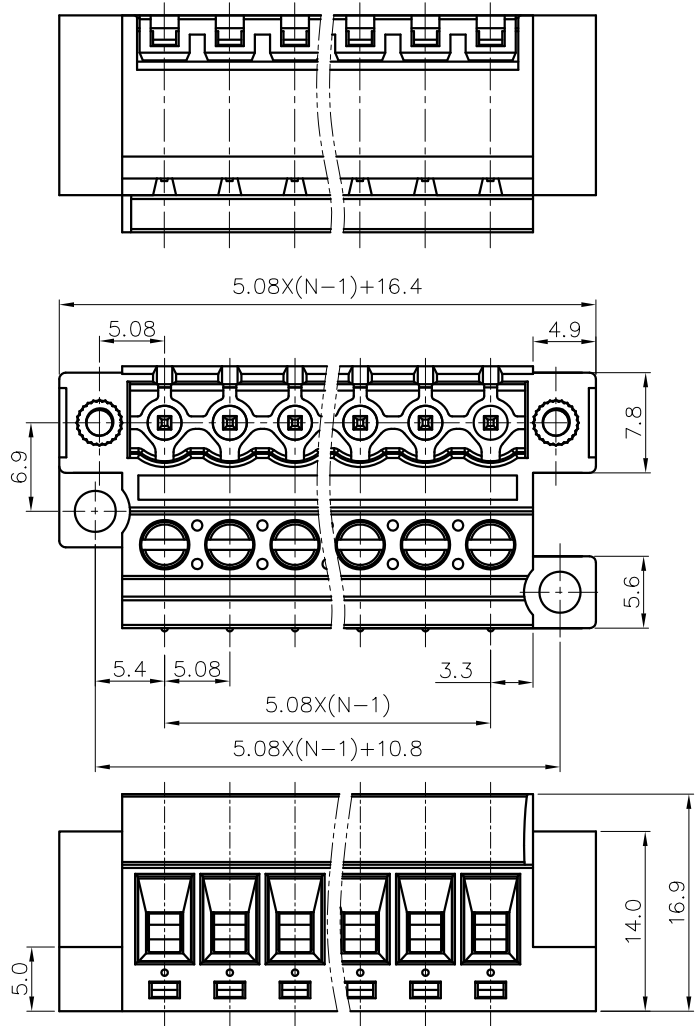
3. Wire range : 0.2~2.5mm²

NOTES2:

1. Dimension shall be interpreted per ASME Y14.5-2009
2. Pitch : 5.08mm, Poles : N=02P~24P
3. Stripping length : 7~8mm
4. Operating temperature: -40°C~+105°C
5. Undimensioned tolerances:

| Pitch range in mm | | | Nominal dimension range in mm | | | | | - / □ | |
|-------------------|--------------|---------------|-------------------------------|---------------|----------------|-----------------|----------|--------|---|
| TO | Over 6 TO 10 | Over 10 TO 24 | TO 30 | Over 30 TO 60 | Over 60 TO 100 | Over 100 TO 150 | Over 150 | 0.1/10 | < |
| ±0.15 | ±0.20 | ±0.30 | ±0.30 | ±0.50 | ±0.70 | ±1.00 | ±1.30 | ±2' | |

6. RoHS Compliance



2EDG - DBM - 5.08 - XXP - 1Y - 00A (H)
 (Series No.) (Pitch) (Poles) (Single Pitch) (Color): 1.(Grey)
 2.(Blue)
 3.(Black)
 4.(Green)
 5.(Orange)
 6.(Red)
 7.(Transparent)
 8.(Yellow)
 9.(White)

| | | | | | |
|------------------------|-----------|-------------------------|--|----------------------|----|
| DETACHED LISTS | PART NO.: | / | | | |
| | APPD: | / | | | |
| | CHKD: | / | | | |
| | DRFT: | / | | | |
| THIRD ANGLE PROJECTION | | DRAWING NO.: | | / | |
| | | MM (INCH) | | DO NOT SCALE DRAWING | |
| | | TITLE: CUSTOMER DRAWING | | REV | DO |
| | | SHEET | | 1/1 | |
| | | SCALE | | 1:1 | |