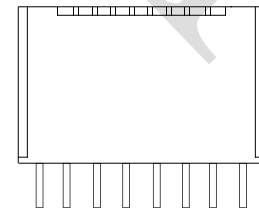
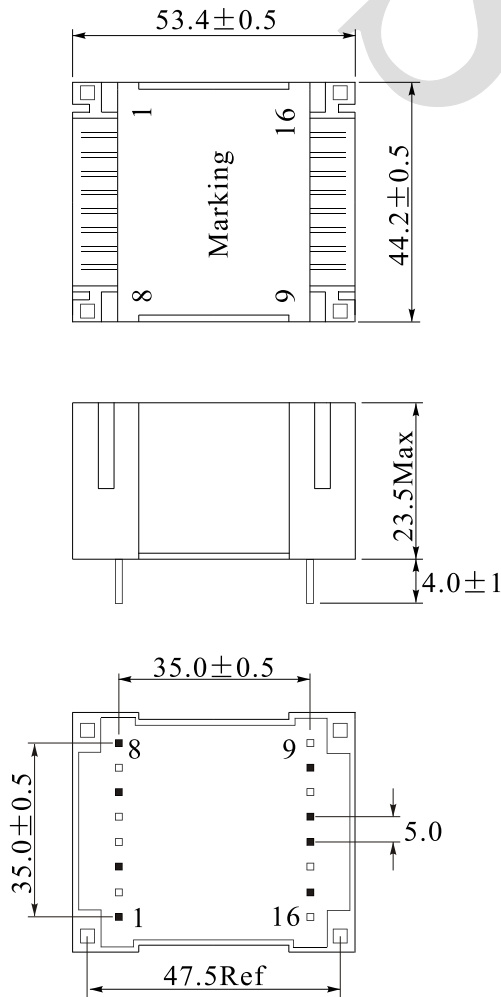


Rev.	Description	Date
A0	New release	2023.05.17

1. PHYSICAL CHARACTERISTICS(mm)



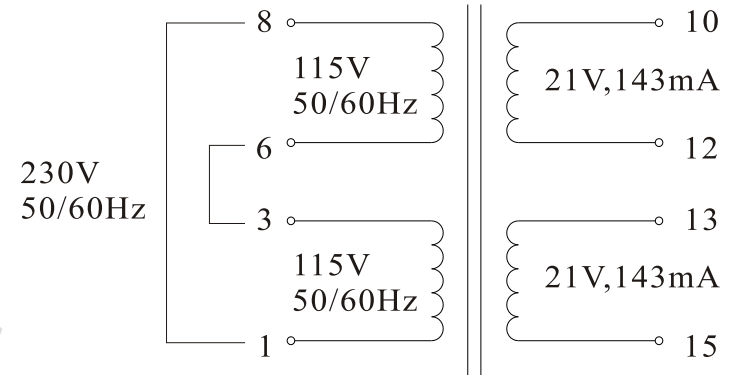
Marking

8	6	Pri	3	1
UI301031				
Vin: 115VAC-50Hz(1-3)				
115VAC-50Hz(6-8)				
Vout: 21VAC/3VA(10-12)				
21VAC/3VA(13-15)				
ta 70/B				
10	Sec		15	

NOTES:

Temp 20°C 48%RH
RoHS Compliant

2. ELECTRONICAL SCHEMATIC



3. ELECTRONICAL SPECIFICATIONS

Pri voltage: 230V,50/60Hz
 Sec no load voltage: 29.7V Typ.(10-12)
 29.7V Typ.(13-15)
 Sec load voltage: 21V±5%@ 143mA(10-12)
 21V±5%@ 143mA(13-15)
 Hi-Pot: 4000V/AC,1mA,2S Pri to Sec
 Storage temperature: -20°C to +45°C
 Operating temperature: -10°C to +70°C

NAME:	Potting transformer		
CUSTOMER P/N:	BV UI 303 0170	DATE:	2023-05-17
SHINHOM P/N:	UI301031	REV: A0	PAGE
DRAWN BY	CHECKED BY	APPROVE BY	