

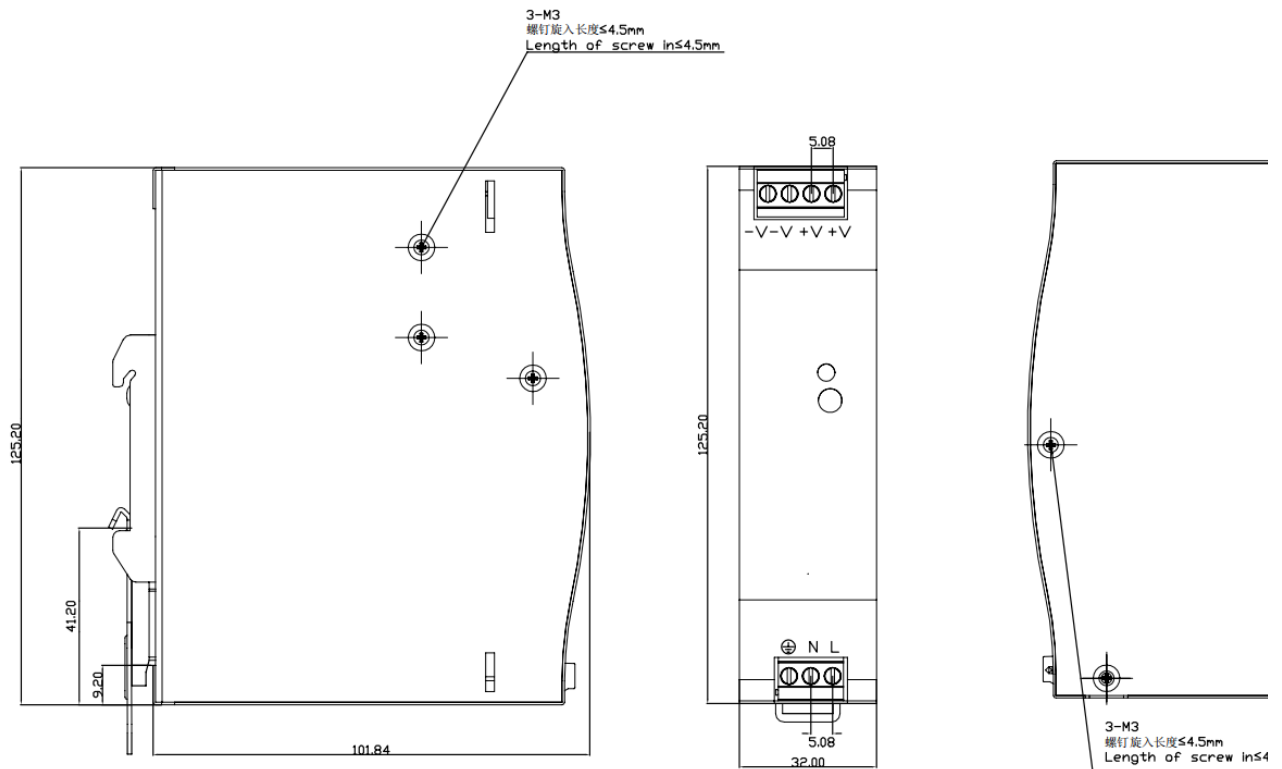


Category: 导轨电源/Plug-in terminal-plug

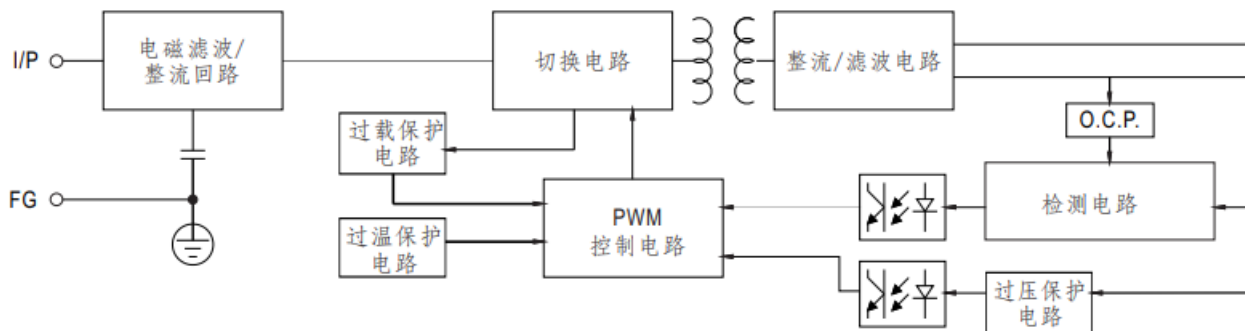
Product name: SDP1-1AC24-75

Product Description: 24VDC , 3.2A

Product Picture



导轨电源SDP1-1AC24-75结构图



导轨电源SDP1-1AC24-75电气图

基本信息 /Basic Information

产品型号 SUPU ID	SDP1-1AC24-75
接线端子 Connection terminal	螺钉式 (screw terminal blocks)
工作温度 Work temperature	-20~+60°C
防护等级 Protection Level	IP20
安装方式 Mounting	TS35导轨安装 (35mm DIN)
DC OK DC OK	LED指示灯 (LED indicating lamp)
尺寸(mm) Dimensions	125.2 * 102 * 32mm

IEC数据 /IEC Data

额定电流 Rated Current	3.2A
额定电压 Rated Voltage	24V DC
额定输入 Rated Input	96 ~ 264VAC
效率 Efficiency	86%
纹波噪声 Ripple noise	120mVp-p
输入频率 Input frequency	47 ~ 63Hz
峰值带载能力 Peak load capacity	105%-130%
耐压 Withstand voltage	I/P-O/P:3KVAC I/P-FG:2KVAC O/P-FG:0.5KVAC
工作海拔 Work altitude	2000米以上降额使用，最高海拔5000米 Derating above 2000 meters derated use, the highest altitude of 5000 meters

包装信息 /Packaging information

包装单位 Packing unit	Pcs
----------------------	-----

最小订货量 Minimum order quantity	1
原产地 Country of origin	CN

Ningbo Supu Electronics Co.,Ltd

Zip code: 315303

Fax: +86 574-63288170

E-mail : askme@supu.cn

Address: No. 625, Kandun Town Street, Cixi
City, Zhejiang Province

Switchboard: +86 574-63288158

E-mail : askme@supu.cn

Service Hotline: 400-626-6336



Code

File date : 2024-11-22 12:12

Product Entry : 2024-01-24

The right to modify data belongs to
Supu.