

Data sheet

Commercial Art.No.: 76.352.2535.1

Hood HD GOT GI 25 M20 50 A1

Hood revos HD made of aluminum, for single locking lever with threaded hole M20 on the top, low version, 25-poles



Commercial Art.No.	76.352.2535.1
EAN	4015573625860
Order Unit	1

Technical data

General

Housing material	aluminum
Color	Grey
Surface	With powder coating
Degree of protection (IP)	Other
UV resistant	yes
Inflammability class of insulation material acc. with UL94	Other
Operating temperature range min.	-40 °C
Operating temperature range max.	120 °C

Model

Construction	16/25
Locking mechanism	Single locking lever
Cable entry	Above
Type of cable	Thread
With cable screw gland	No
Thread size M	20
Thread size PG	
Hinged lid	No
EMC-version	No
Length	90 mm
Width	33 mm
Height	70 mm

Classification

ECLASS 11	
-----------	--

ECLASS 8.1	27440202
ETIM 7.0	EC000437
ETIM 6.0	EC000437
ETIM 5.0	EC000437
ETIM 4.0	EC000437
ETIM 3.0	EC000437

Product compliance

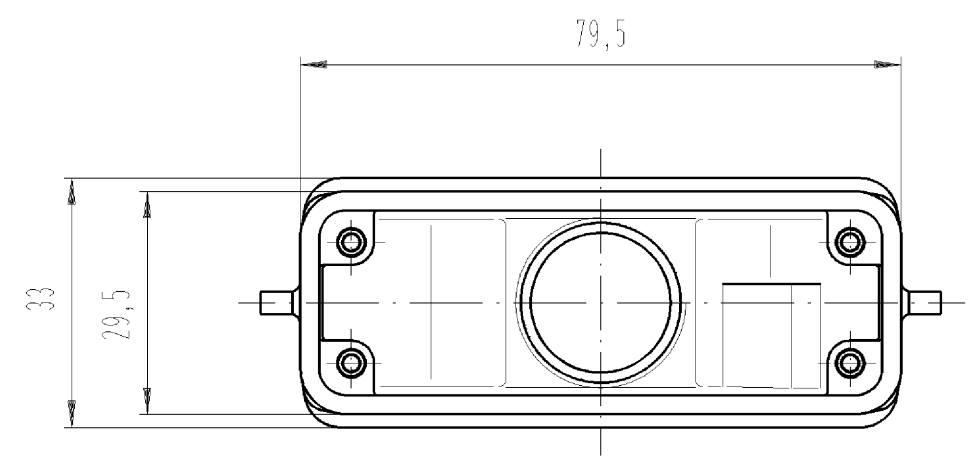
REACH-SVHC conformity status	Compliant
------------------------------	-----------

Fits with

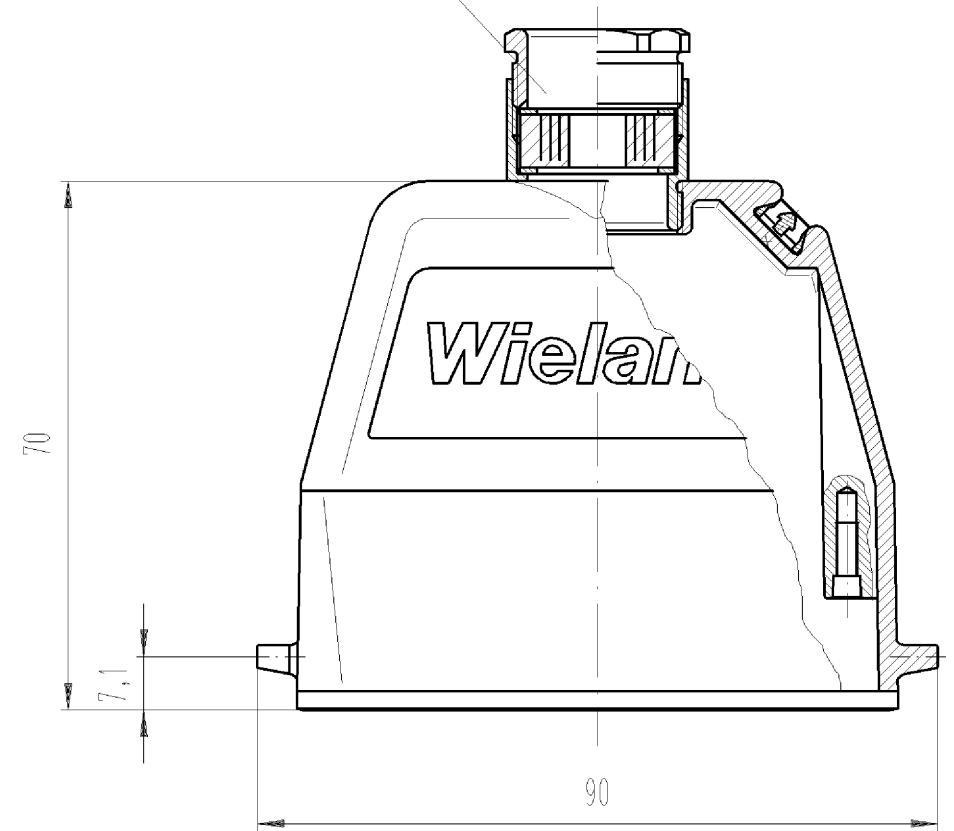
Commercial Art.No.:	Article-type description:	Description:
73.300.1653.0	Female insert HD BUS 16 2,5 25 AG	revos BASIC HD 16 pole + ground, female insert 250V/16A, screw connection
73.300.1653.3	Female insert HD BUS SB 16 2,5 25 AG	revos BASIC HD 16 pole + ground, female insert, marked 17-32, 250V/16A, screw connection
73.310.1653.0	Male insert HD STS 16 2,5 25 AG	revos BASIC HD 16 pole + ground, male insert 250V/16A, screw connection
73.310.1653.3	Male insert HD STS SB 16 2,5 25 AG	revos BASIC HD 16 pole + ground, male insert, marked 17-32, 250V/16A, screw connection
73.700.2553.0	Female insert HD BUC 25 25	revos HD 25 pole + ground, female insert 250V/10A, crimp connection
73.710.2553.0	Male insert HD STC 25 25	revos HD 25 pole + ground, male insert 250V/10A, crimp connection

These dimensions will be especially checked at delivery
 Only inspection dimensions
 With ±/∅ marked dimensions are only valid for internal use

Diese Maße werden bei Abnahme besonders geprüft
 Ausschließlich Prüfmaße
 Mit ±/∅ gekennzeichnete Maße sind nur für interne Zwecke gültig

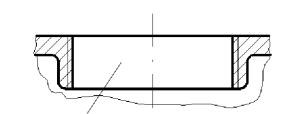


Verschraubung M20
 cable gland M20



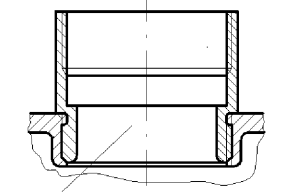
Ausführung .0
 version .0

Ausführung .1
 version .1



Gewinde M 20
 thread M 20

Ausführung .2
 version .2



Stützen eingeklebt M 20
 intermediate support M 20

Weitere Daten siehe Katalog
 further data see catalog

Teile-Nr. part number	Typ type
76.352.2535.0	HD GOT GI 25 M20 50 A0
76.352.2535.1	HD GOT GI 25 M20 50 A1
76.352.2535.2	HD GOT GI 25 M20 50 A2

Tolerierung nach DIN 7167/Tolerance system acc. to DIN 7167.
 (This DIN-standard describes the envelope principle. According to the envelope principle the deviations of form and parallelism are limited by the size tolerances).

ja/yes Stoffverbots- und Deklarationsliste nach UU-TQM-05/03 ist einzuhalten.
 Conformity with Wieland document UU-TQM-05/03 (list of prohibited / declarable hazardous substances) to be declared!

Freitoleranz nach General tolerance		CAD - Zeichnung, keine manuellen Änderungen CAD - drawing, no manual modifications allowed		1. Verwendung: First Use:		Blatt: 1 von 1 Sheet: 1 of 1	
/		Werkstoff/Material		2008	Tag/Date	Name	
/		Maßstab/Scale		gezeichnet drawn	25.11	Schmitt J.	
/		1:1		geprüft checked	-	-	
/		Vol. mm³		Normgepr. Stand. check	-	-	
/		Ofl./Surf. mm²		Ersatz für/Replacement for: -			
/		wieland		Type		Benennung/Title	
/		Elektrische Verbindungen		GEHAEUSE-OBERTEIL			
Index		Datum / Blatt Date / Sheet		Größe/size 25 M 20 von oben Hood, single looking lever top cable entry			
Änderung/Revision							

Maße in mm/Dimensions are in mm

Weitergabe sowie Vervielfältigung dieses Dokuments, Verwertung und Mitteilung seines Inhalts sind verboten, soweit nicht ausdrücklich gestattet. Die Reproduktion, Distribution und Utilization of this document as well as the communication of its contents to others without express authorization is prohibited.

763522535001K_4_CADW1042_Schnitt: 2008-12-01(T1)4:57:21 1.000